

SHALLCO SERIES 26
Part Number: 2644D 125VDCACC



General:

Meets requirements for 1 - 25 ampere switching of resistive loads to .75 power factor at voltages to 600 VAC and 250 VDC resistive loads

Electrical:

- * Ratings: 25A/120 VAC
- 15A/600 VAC
- 20A/600 VAC (RESISTIVE)
- 3A/125 VDC
- 1A/250 VDC



Mechanical:

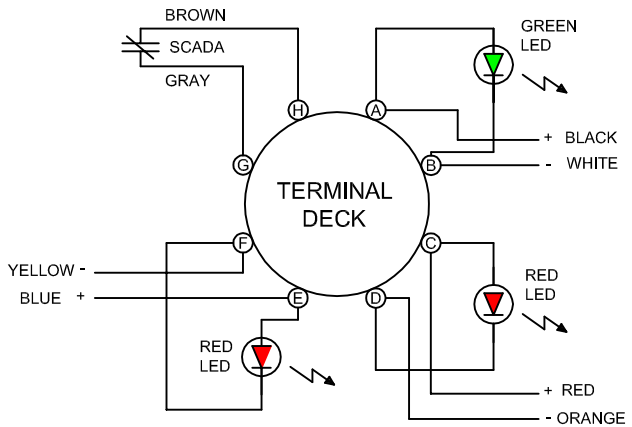
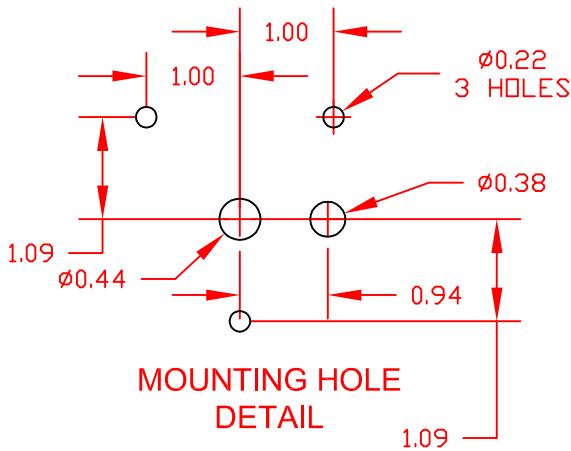
- * Sections: 3
- * Positions: 2
- * Detent Type: Sections 1 & 2 - Spring Return, Section 3, Slip Detent
- * Indexing: 45°
- * Rotational Life: 65,000 operations

Materials and Finishes:

- * Rotors and Stators: Thermoset Plastic, UL 94VO
- * Rotor contacts: Phosphor bronze
- * Stator contacts: Silver plated copper, screw type
- * Terminal hardware: silver plated brass
- * Exterior Metal: Steel with zinc chromate finish
- * Knob: thermoset phenolic

- * Current carrying capacity: 25 amperes
- * Dielectric Withstanding Voltage: 2200 Vrms
- * Contact Resistance: Initial, 10 milliohms max.
- * Insulation Resistance: 100 Megohms min., initial

* Switch is supplied with a lighted escutcheon plate:
 Input voltage: 125 VDC (24 - 140 VDC)
 Wiring: As shown



DUAL TRIP COIL MONITOR CIRCUIT: SCADA IS CLOSED UNTIL BOTH RED LED'S ARE ILLUMINATED.

| DECK | CONTACTS | POS. | | | |
|------|---------------|------|-----|----|-------|
| | | TRIP | nat | nc | CLOSE |
| 1 | 110-II-II-018 | X | | | |
| | 160-II-II-017 | | | | X |
| 2 | 210-II-II-022 | | X | X | |
| | 250-II-II-026 | | X | X | |
| 3 | 320-II-II-033 | | | X | X |
| | 360-II-II-037 | | | X | X |

