

SHALLCO SERIES 26
Part Number: 26502D-2



General:

Meets requirements for 1 - 25 ampere switching of resistive loads to .75 power factor at voltages to 600 V AC and 250 VDC resistive loads

Electrical:

- * Ratings: 25A/120 VAC
- 15A/600 VAC
- 20A/600 VAC (RESISTIVE)
- 3A/125 VDC
- 1A/250 VDC



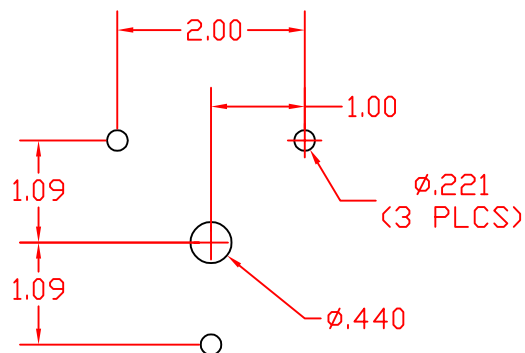
- * Current carrying capacity: 25 amperes
- * Dielectric Withstanding Voltage: 2200 Vrms
- * Contact Resistance: Initial, 10 milliohms max.
- * Insulation Resistance: 100 Megohms min., initial

Mechanical:

- * Sections: 2
- * Positions: 2
- * Indexing: 45°
- * Rotational Life: 65,000 operations

Materials and Finishes:

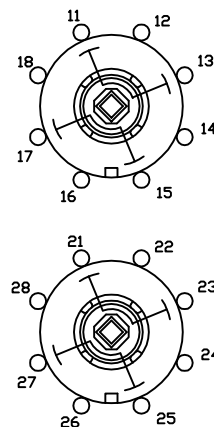
- * Rotors and Stators: Thermoset Plastic, UL 94VO
- * Rotor contacts: Phosphor bronze
- * Stator contacts: Silver plated copper, screw type
- * Terminal hardware: silver plated brass
- * Exterior Metal: Steel with zinc chromate finish
- * Knob: thermoset phenolic



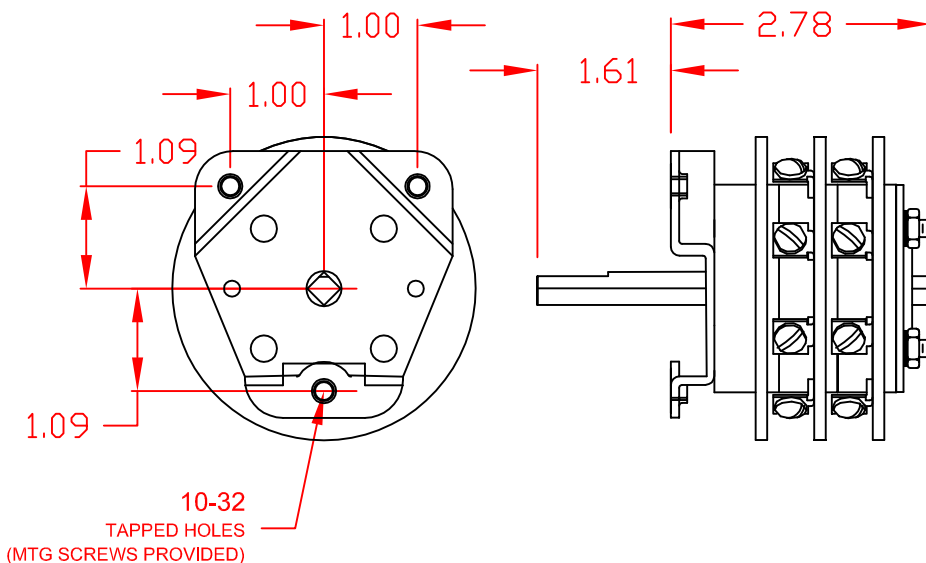
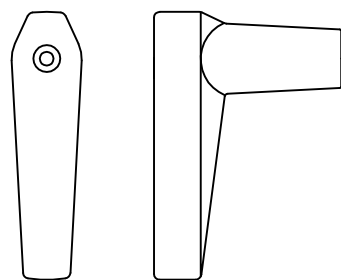
MOUNTING HOLE DETAIL

Contact Table

DECK	CONTACTS	POSITION	
		1	2
1	11 13	X	
	12 14		X
	15 17	X	
	16 18		X
2	21 23	X	
	22 24		X
	25 27	X	
	26 28		X



HANDLE



26502D-2

REV. A



308 COMPONENTS DRIVE
 SMITHFIELD, NC 27577 USA