

SHALLCO SERIES 26

Part Number: 2641D 125 VDCABC



General:

Meets requirements for 1 - 25 ampere switching of resistive loads to .75 power factor at voltages to 600 V AC and 250 V DC resistive loads

- Electrical:**
- 15A/600 VAC
 - 20A/600 VAC (RES)
 - 25A/120 VAC
 - 3A/125 VDC
 - 1A/250 VDC



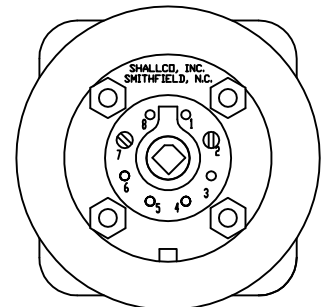
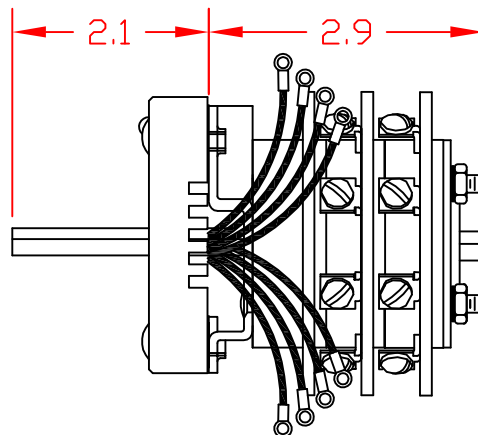
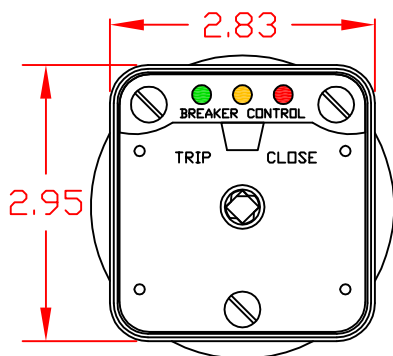
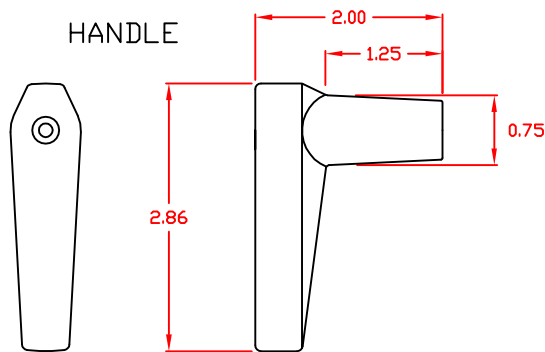
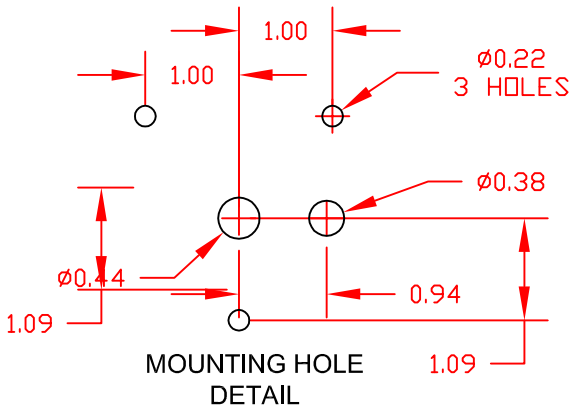
- * Current carrying capacity: 25 amperes
- * Dielectric Withstanding Voltage: 2200 Vrms
- * Contact Resistance: Initial, 10 milliohms max.
- * Insulation Resistance: 100 Megohms min., initial
- * Switch is supplied with a lighted escutcheon plate
- Input Voltage: 125 VDC
- Wiring: As Shown

Mechanical:

- * Sections: 1 Active
- * Positions: 2 Shaft will spring return to the center (rest) position (See Contact Table)
- * Type Acton: Non-Shorting
- * Detent type: Section 1 - Spring Return
- * Indexing: 45° positive detent
- * Rotational Life: 65,000 operations

Materials and Finishes:

- * Rotors and Stators: Thermoset Plastic, UL 94VO
- * Rotor contacts: Phosphor bronze
- * Stator contacts: Silver plated copper, screw type
- * Terminal hardware: silver plated brass
- * Exterior Metal: Steel with zinc chromate finish
- * Knob: thermoset phenolic



| DECK | CONTACTS | POSITION | | |
|------|----------|----------|--------|-------|
| | | TRIP | normal | CLOSE |
| 1 | 11-12 | ○ | ○ | ○ |
| | 13-14 | ○ | ○ | ○ |
| 1 | 15-16 | ○ | ○ | ○ |
| | 17-18 | ○ | ○ | ○ |

