

SHALLCO SERIES 26

Part Number: 2645D 125VDCABC



General:

Meets requirements for 1 - 25 ampere switching of resistive loads to .75 power factor at voltages to 600 VAC and 250 VDC resistive loads

Electrical: 25A/120 VAC
15A/240 VAC
6A/600 VAC
3A/125 VDC
1A/250 VDC



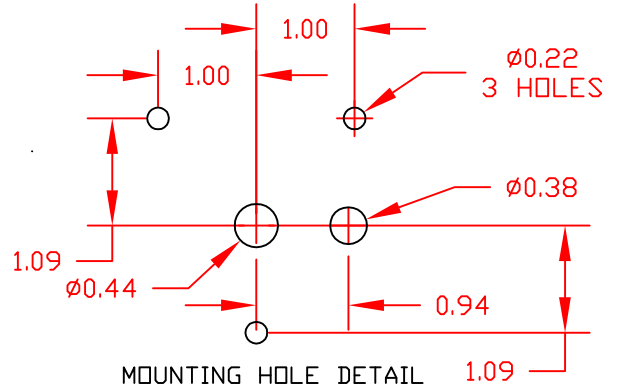
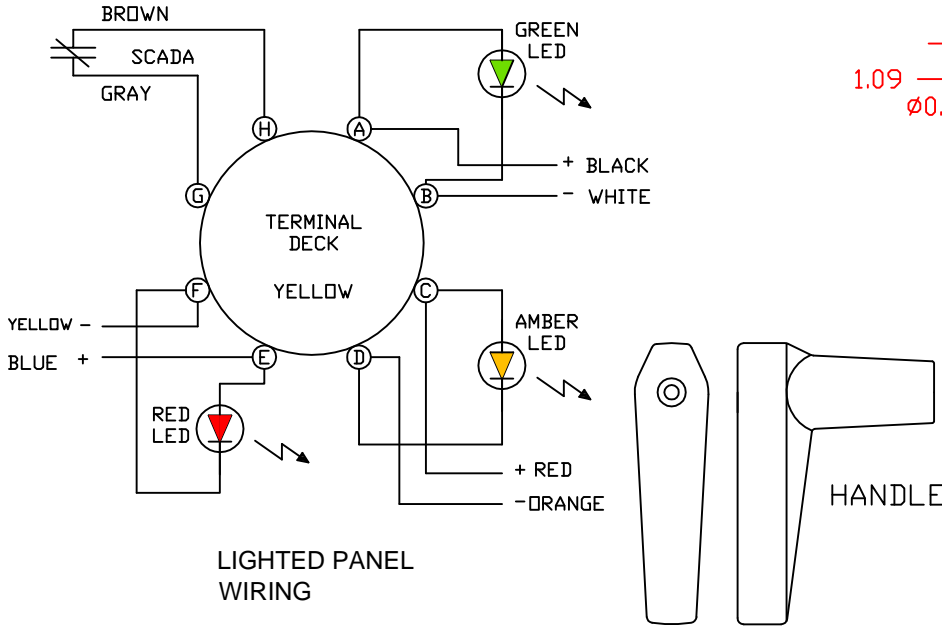
- *Current carrying capacity: 25 amperes
- * Dielectric Withstanding Voltage: 2200 Vrms
- * Contact Resistance: Initial, 10 milliohms max.
- * Insulation Resistance: 100 Megohms min., initial
- * Switch is supplied with a lighted escutcheon plate:
Input voltage: 125 VDC (40 - 140) (Wiring: As shown)

Mechanical:

- * Sections: 4
- * Number of positions: 2. Shaft will spring return to the center rest position (See contact table))
- * Detent type: Sections 1 & 2 - Spring Return
Sections 3 & 4 - Slip Detent
- * Indexing: 45°
- * Rotational Life: 65,000 operations

Materials and Finishes:

- * Rotors and Stators: Thermoset Plastic, UL 94VO
- * Rotor contacts: Phosphor bronze
- * Stator contacts: Silver plated copper, screw type
- * Terminal hardware: silver plated brass
- * Exterior Metal: Steel with zinc chromate finish
- * Knob: thermoset phenolic



DECK	CONTACTS				POSITION			
	11	16	17	18	TRIP	no.t	no.C	CLOSE
1	11	16	17	18	X			X
2	21	32	36	37		X	X	X
3	41	45	42	46	X	X	X	X

