

SHALLCO SERIES 26
Part Number: 2643D 125VDCABC



General:

Meets requirements for 1 - 25 ampere switching of resistive loads to .75 power factor at voltages to 600 VAC and 250 VDC resistive loads

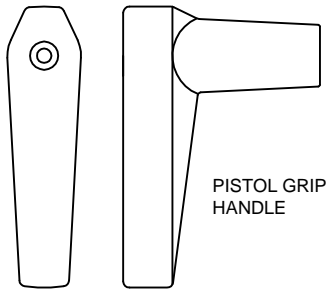
Electrical:

- * Ratings: 25A/120 VAC
- 15A/600 VAC
- 20A/600 VAC (RESISTIVE)
- 3A/125 VDC
- 1A/250 VDC



- * Current carrying capacity: 25 amperes
- * Dielectric Withstanding Voltage: 2200 Vrms
- * Contact Resistance: Initial, 10 milliohms max.
- * Insulation Resistance: 100 Megohms min., initial

* Switch is supplied with a lighted escutcheon plate:
 Input voltage: 125 VDC (40 - 140 VDC)
 Wiring: As shown

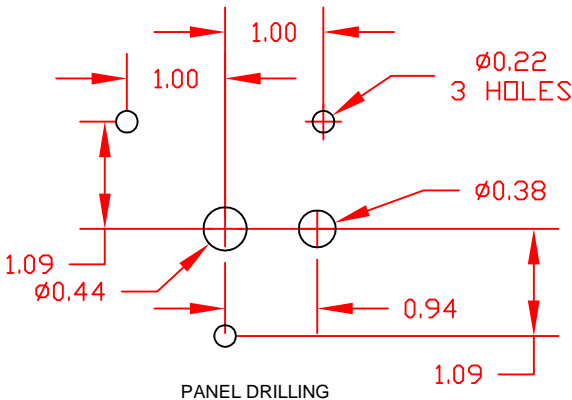
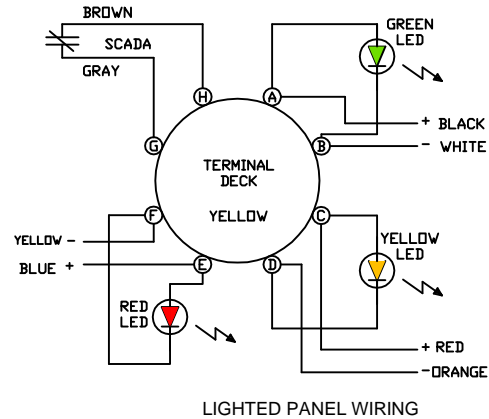


Mechanical:

- * Sections: 3
- * Positions: 2
- * Detent Type: Sections 1 & 2 - Spring Return, Section 3, Slip Detent
- * Indexing: 45°
- * Rotational Life: 65,000 operations

Materials and Finishes:

- * Rotors and Stators: Thermoset Plastic, UL 94VO
- * Rotor contacts: Phosphor bronze
- * Stator contacts: Silver plated copper, screw type
- * Terminal hardware: silver plated brass
- * Exterior Metal: Steel with zinc chromate finish
- * Knob: thermoset phenolic



DECK	CONTACTS	POS.		
		TRIP	nat	nac
1	120-11-13			X
	15-16-14	X		
	4-17			X
2	210-11-22	X	X	
3	320-11-33		X	X
	360-11-37		X	X

