

General:

Meets requirements for 1 - 25 ampere switching of resistive loads to .75 power factor at voltages to 600 VAC and 250 VDC resistive loads

Electrical:

- * Ratings: 25A/120 VAC
- 15A/600 VAC
- 20A/600 VAC (RES)
- 3A/125 VDC
- 1A/250 VDC



- * Current carrying capacity: 25 amperes
- * Dielectric Withstanding Voltage: 2200 Vrms
- * Contact Resistance: Initial, 10 milliohms max.
- * Insulation Resistance: 100 Megohms min., initial

* Switch is supplied with a lighted escutcheon plate:

Input voltage: 125 VDC (20 - 140 VDC)
 120 VAC (100 - 140 VAC)

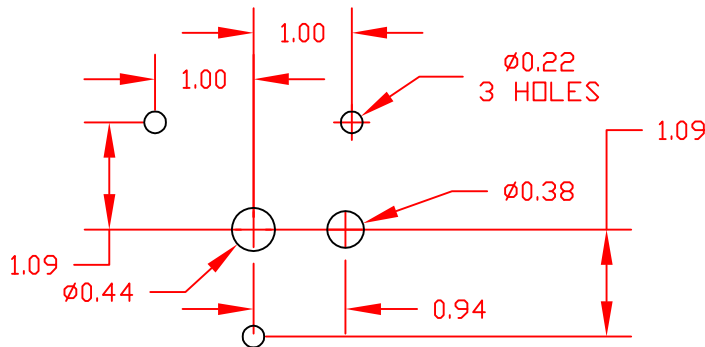
Wiring: As shown

Mechanical:

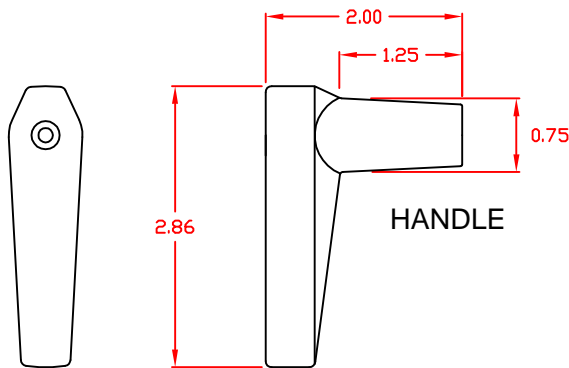
- * Sections: 2 Active
- * Positions: 2 Shaft will spring return to the center (rest) position (See Truth Table)
- * Type Acton: Non-Shorting
- Detent type: Section 1 - Spring Return
- Detent type: Section 2 - Slip Detent
- * Indexing: 45° positive detent
- * Rotational Life: 65,000 operations

Materials and Finishes:

- * Rotors and Stators: Thermoset Plastic, UL 94VO
- * Rotor contacts: Phosphor bronze
- * Stator contacts: Silver plated copper, screw type
- * Terminal hardware: silver plated brass
- * Exterior Metal: Steel with zinc chromate finish
- * Knob: thermoset phenolic



MOUNTING HOLE DETAIL



HANDLE

DECK	CONTACTS		POSITION			
			TRIP	not	not	CLOSE
1	11	12	X	X	X	
	15-16	14 17				
2	22	23				X
	26	27				X

