

# SHALLCO SERIES 26

**Part Number: 2641D**

**General:**

Meets requirements for 1 - 25 ampere switching of resistive loads to .75 power factor at voltages to 600 V AC and 250 V DC resistive loads

**Electrical:**

\* Ratings:

- 25A/120 VAC
- 15A/600 VAC
- 20A/600 VAC (RESISTIVE)
- 3A/125 VDC
- 1A/250 VDC



- \* Current carrying capacity: 25 amperes
- \* Dielectric Withstanding Voltage: 2200 Vrms
- \* Contact Resistance: Initial, 10 milliohms max.
- \* Insulation Resistance: 100 Megohms min., initial

**Mechanical:**

- \* Sections: 1
- \* Positions: 2, Spring Return to Center
- \* Indexing: 45°
- \* Rotational Life: 65,000 operations

**Materials and Finishes:**

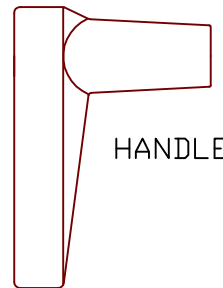
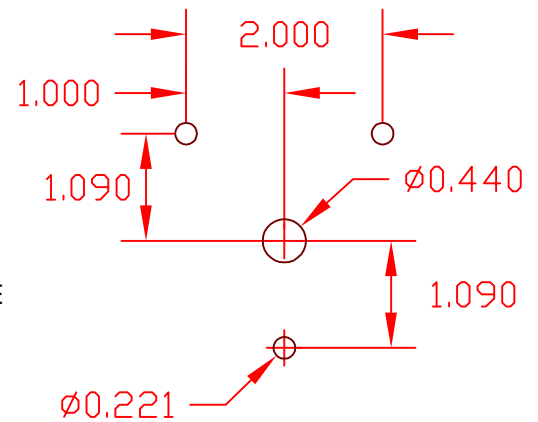
- \* Rotors and Stators: Thermoset Plastic, UL 94VO
- \* Rotor contacts: Phosphor bronze
- \* Stator contacts: Silver plated copper, screw type
- \* Terminal hardware: silver plated brass
- \* Exterior Metal: Steel with zinc chromate finish
- \* Knob: thermoset phenolic



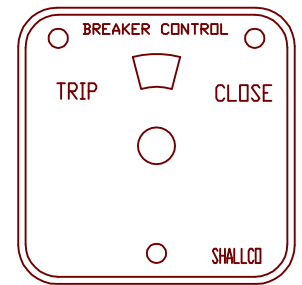
308 COMPONENTS DRIVE  
SMITHFIELD, NC 27577 USA

DECK	CONTACTS	POSITION		
		TRIP	normal	CLOSE
1	11-12	<input checked="" type="checkbox"/>	<input type="checkbox"/>	<input type="checkbox"/>
	13-14	<input type="checkbox"/>	<input checked="" type="checkbox"/>	<input type="checkbox"/>
	15-16	<input checked="" type="checkbox"/>	<input type="checkbox"/>	<input type="checkbox"/>
	17-18	<input type="checkbox"/>	<input type="checkbox"/>	<input checked="" type="checkbox"/>

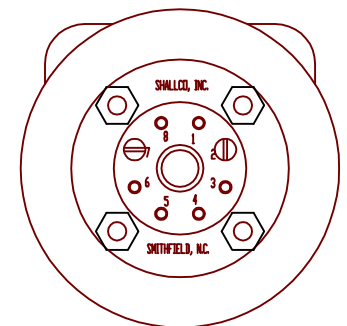
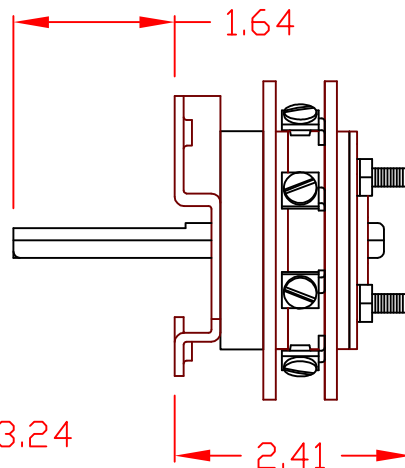
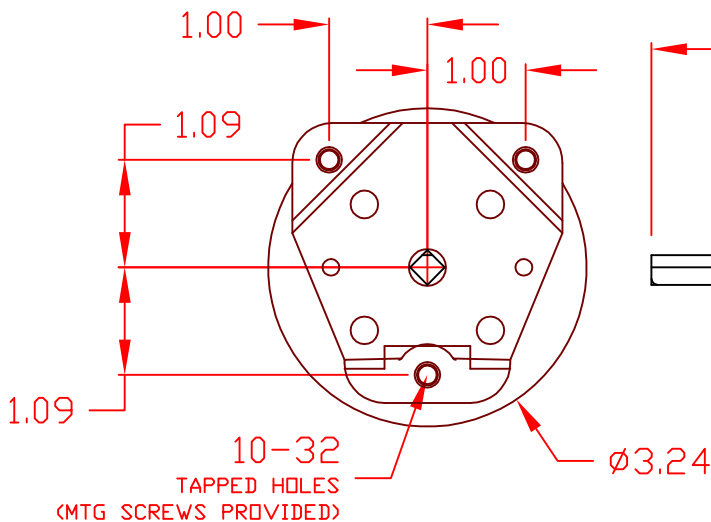
MOUNTING HOLE  
DETAIL



HANDLE



ESCUTCHEON PLATE



DESCRIPTION

**2641D**

REV B



308 COMPONENTS DRIVE  
SMITHFIELD, NC 27577 USA

TERMINAL SCREW TIGHTENING TORQUE: : 8 IN-LBS.