

# SHALLCO SERIES 26

Part Number: 2641D 125 VDCAEC



308 COMPONENTS DRIVE  
SMITHFIELD, NC 27577 USA

### General:

Meets requirements for 1 - 25 ampere switching of resistive loads to .75 power factor at voltages to 600 V AC and 250 V DC resistive loads

- Electrical:**
- 15A/600 VAC
  - 20A/600 VAC (RES)
  - 25A/120 VAC
  - 3A/125 VDC
  - 1A/250 VDC



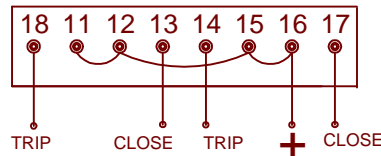
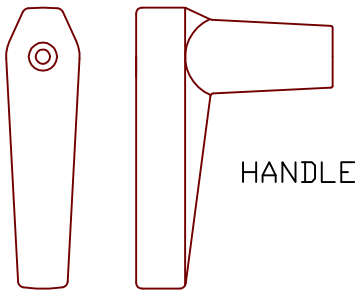
- \* Current carrying capacity: 25 amperes
- \* Dielectric Withstanding Voltage: 2200 Vrms
- \* Contact Resistance: Initial, 10 milliohms max.
- \* Insulation Resistance: 100 Megohms min., initial
- \* Switch is supplied with a lighted escutcheon plate
- Input Voltage: 30 - 140 VDC
- Wiring: As Shown

### Mechanical:

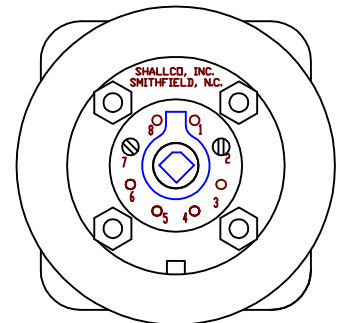
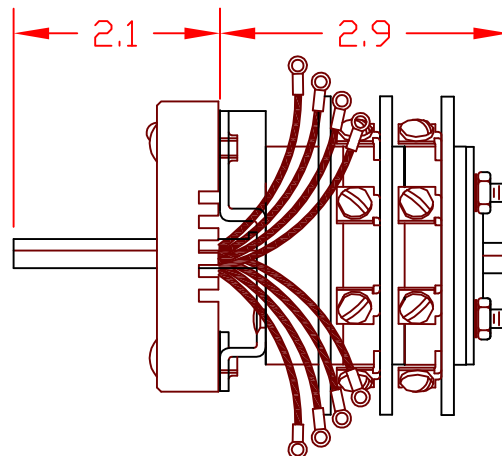
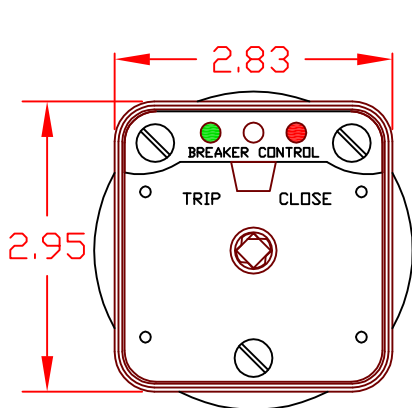
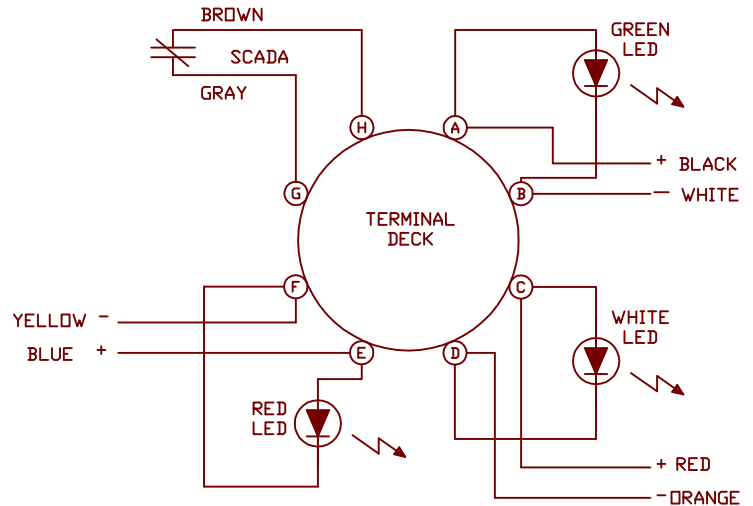
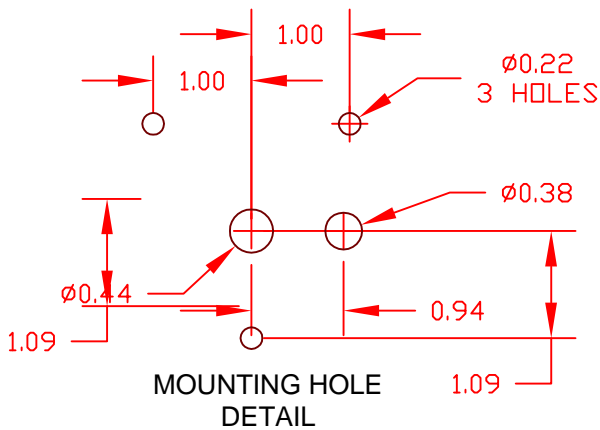
- \* Sections: 1 Active
- \* Positions: 2 Shaft will spring return to the center (rest) position (See Truth Table)
- \* Type Acton: Non-Shorting
- \* Detent type: Section 1 - Spring Return
- \* Indexing: 45° positive detent
- \* Rotational Life: 65,000 operations

### Materials and Finishes:

- \* Rotors and Stators: Thermoset Plastic, UL 94V0
- \* Rotor contacts: Phosphor bronze
- \* Stator contacts: Silver plated copper, screw type
- \* Terminal hardware: silver plated brass
- \* Exterior Metal: Steel with zinc chromate finish
- \* Knob: thermoset phenolic



| DECK | CONTACTS | POSITION                            |                          |                                     |
|------|----------|-------------------------------------|--------------------------|-------------------------------------|
|      |          | TRIP                                | normal                   | CLOSE                               |
| 1    | 11-12    | <input checked="" type="checkbox"/> | <input type="checkbox"/> | <input type="checkbox"/>            |
|      | 15-16    | <input checked="" type="checkbox"/> | <input type="checkbox"/> | <input checked="" type="checkbox"/> |



308 COMPONENTS DRIVE  
SMITHFIELD, NC 27577 USA

2641D 125VDCAEC