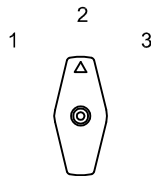


SHALLCO SERIES 26
Part Number: 26205B



General:

Meets requirements for 1 - 25 ampere switching of resistive loads to .75 power factor at voltages to 600 V AC and 250 V DC resistive loads

Electrical Ratings: 25A/120 VAC
 15A/600 VAC
 20A/600 VAC (RES)
 3A/125 VDC
 1A/250 VDC



- * Current carrying capacity: 25 amperes
- * Dielectric Withstanding Voltage: 2200 Vrms
- * Contact Resistance: Initial, 10 milliohms max.
- * Insulation Resistance: 100 Megohms min., initial

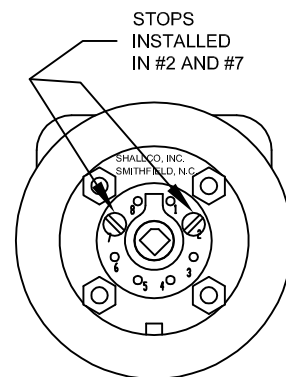
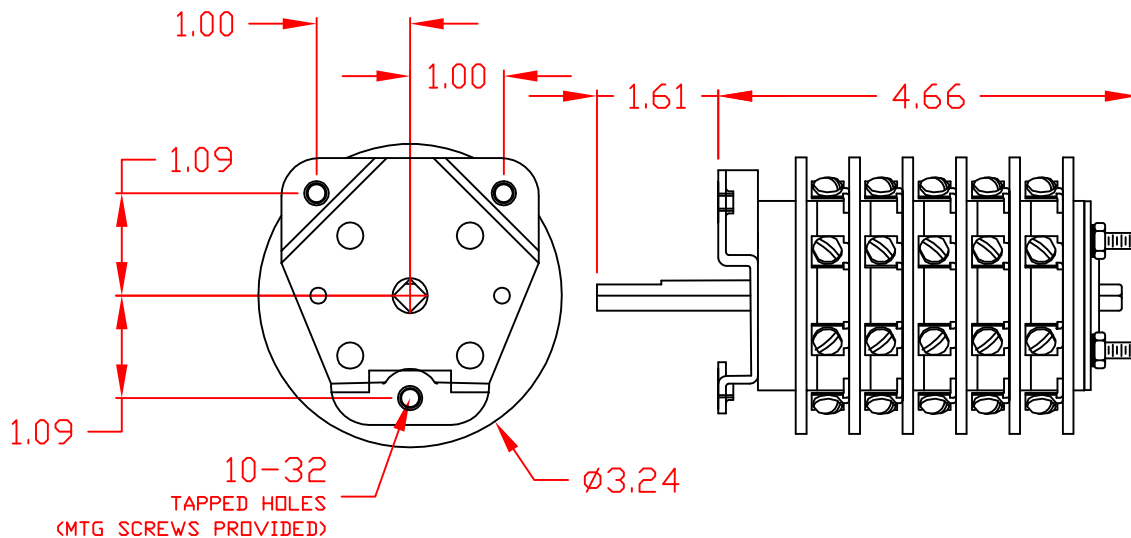
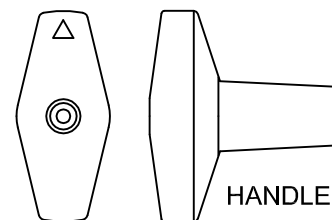
Mechanical:

- * Sections: 5
- * Positions: 8 Adjustable (See Truth Table)
- * Indexing: 45° positive detent
- * Rotational Life: 65,000 operations

Materials and Finishes:

- * Rotors and Stators: Thermoset Plastic
 UL 94VO
- * Rotor contacts: Phosphor bronze
- * Stator contacts: Silver plated copper
 screw type
- * Terminal hardware: silver plated brass
- * Exterior Metal: Steel with zinc chromate finish

DECK	CONTACT	POSITION		
		1	2	3
1	18 - 11	X		
	11 - 12		X	
	12 - 13			X
	14 - 15	X		
	15 - 16		X	
	16 - 17			X
2	28 - 21	X		
	21 - 22		X	
	22 - 23			X
	24 - 25	X		
	25 - 26		X	
	26 - 27			X
3	38 - 31	X		
	31 - 32		X	
	32 - 33			X
	34 - 35	X		
	35 - 36		X	
	36 - 37			X
4	48 - 41	X		
	41 - 42		X	
	42 - 43			X
	44 - 45	X		
	45 - 46		X	
	46 - 47			X
5	58 - 51	X		
	51 - 52		X	
	52 - 53			X
	54 - 55	X		
	55 - 56		X	
	56 - 57			X



26205B-3



308 COMPONENTS DRIVE
 SMITHFIELD, NC 27577 USA