

SHALLCO SERIES 26

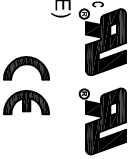
Part Number: 2657D 125VDCABC

General:

Meets requirements for 1 - 25 ampere switching of resistive loads to .75 power factor at voltages to 600 V AC and 250 VDC resistive loads

Electrical:

- * Ratings: 25A/120 VAC
15A/600 VAC
20A/600 VAC (RESISTIVE)
- * Current carrying capacity: 25 amperes
- * Dielectric Withstanding Voltage: 2200 Vrms
- * Contact Resistance: Initial, 10 milliohms max.
- * Insulation Resistance: 100 Megohms min., initial



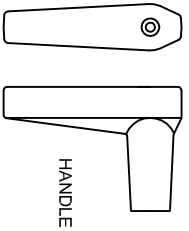
* Lighted panel voltage 24 to 140 VDC

Mechanical:

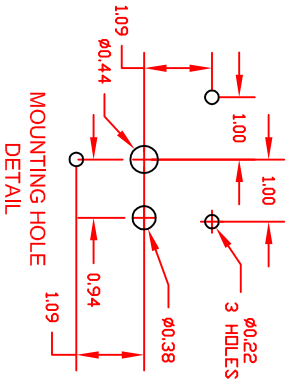
- * Sections: 5
- * Positions: See contact table
- * Type Action: Nonshorting
- * Detent type: Sections 1, 2, 3 - Spring Return
- * Indexing: 45°
- * Rotational Life: 65,000 operations

Materials and Finishes:

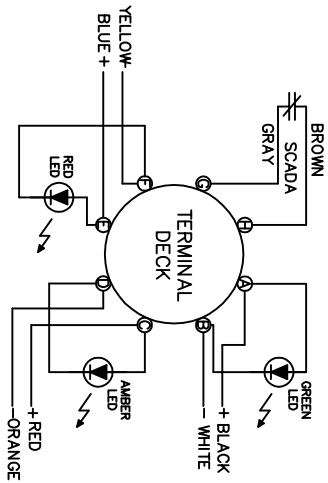
- * Rotors and Stators: Thermoset Plastic, UL 94V0
- * Rotor contacts: Phosphor bronze
- * Stator contacts: Silver plated copper, screw type
- * Terminal hardware: silver plated brass
- * Exterior Metal: Steel with zinc chromate finish
- * Knob: thermoset phenolic



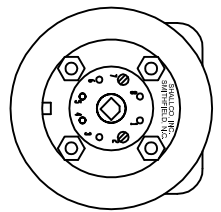
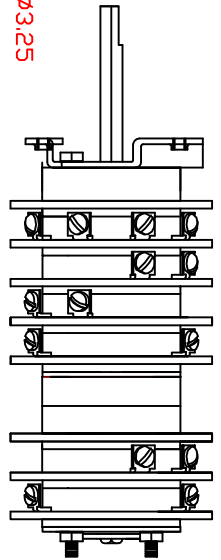
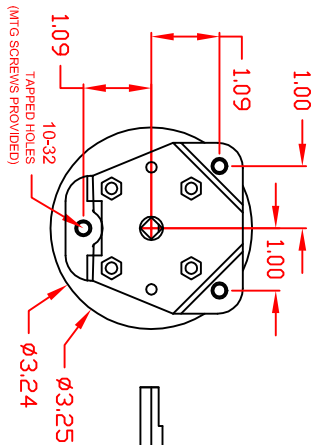
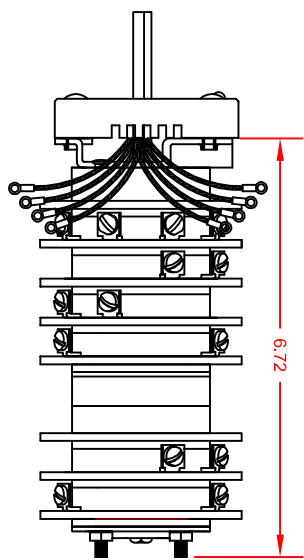
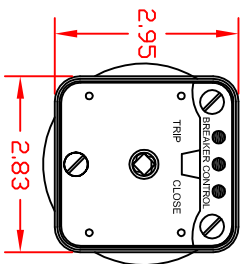
HANDLE



MOUNTING HOLE
DETAIL



DECK	CONTACTS	TRIP	POS.	CLOSE
1	120-1-1-013			X
2	160-1-1-017			X
3	210-1-1-028	X		
4	240-1-1-025	X		
5	310-1-1-032	X	X	
6	350-1-1-036	X	X	
7	420-1-1-043		X	X
8	460-1-1-047		X	X
9	510-1-1-052	X	X	
10	550-1-1-056	X	X	



2657D 125VDCABC



308 COMPONENTS DRIVE
SMITHFIELD, NC 27577 USA



308 COMPONENTS DRIVE
SMITHFIELD, NC 27577 USA