

**SHALLCO SERIES 26**  
**Part Number: 2644D 125VACABC**



**General:**

Meets requirements for 1 - 25 ampere switching of resistive loads to .75 power factor at voltages to 600 VAC and 250 VDC resistive loads

**Electrical:**

- \* Ratings: 25A/120 VAC
- 15A/600 VAC
- 20A/600 VAC (RESISTIVE)
- 3A/125 VDC
- 1A/250 VDC



- \* Current carrying capacity: 25 amperes
- \* Dielectric Withstanding Voltage: 2200 Vrms
- \* Contact Resistance: Initial, 10 milliohms max.
- \* Insulation Resistance: 100 Megohms min., initial

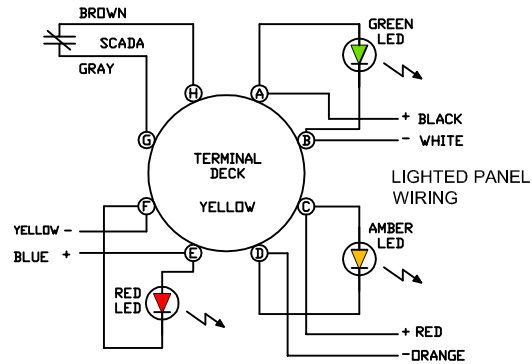
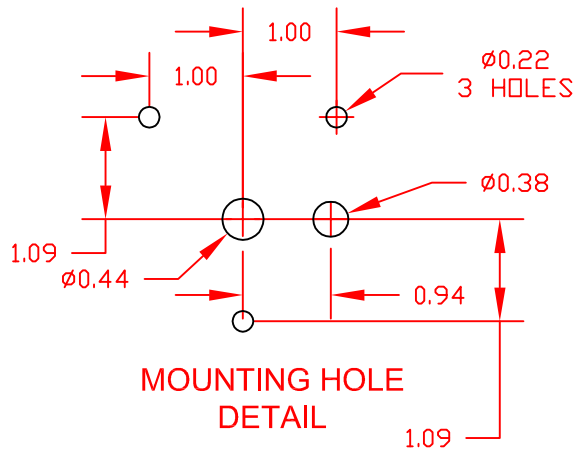
\* Switch is supplied with a lighted escutcheon plate:  
 Input voltage: 125 VAC  
 Wiring: As shown

**Mechanical:**

- \* Sections: 3
- \* Positions: 2
- \* Detent Type: Sections 1 & 2 - Spring Return, Section 3, Slip Detent
- \* Indexing: 45°
- \* Rotational Life: 65,000 operations

**Materials and Finishes:**

- \* Rotors and Stators: Thermoset Plastic, UL 94VO
- \* Rotor contacts: Phosphor bronze
- \* Stator contacts: Silver plated copper, screw type
- \* Terminal hardware: silver plated brass
- \* Exterior Metal: Steel with zinc chromate finish
- \* Knob: thermoset phenolic



DECK	CONTACTS	TRIP	POS.		
			nat	nac	CLOSE
1	110-I-I-O18	X			
	160-I-I-O17				X
2	210-I-I-O22		X	X	
	250-I-I-O26		X	X	
3	320-I-I-O33			X	X
	360-I-I-O37			X	X

