

General:

Meets requirements for 1 - 25 ampere switching of resistive loads to .75 power factor at voltages to 600 V AC and 250 V DC resistive loads

- Electrical:**
- 15A/600 VAC
 - 20A/600 VAC (RES)
 - 25A/125 VAC
 - 3A/125 VDC
 - 1A/250 VDC



- * Voltages: 250 V DC, 600 V AC
- * Current carrying capacity: 25 amperes
- * Dielectric Withstanding Voltage: 2200 Vrms
- * Contact Resistance: Initial, 10 milliohms max.
- * Insulation Resistance: 100 Megohms min., initial

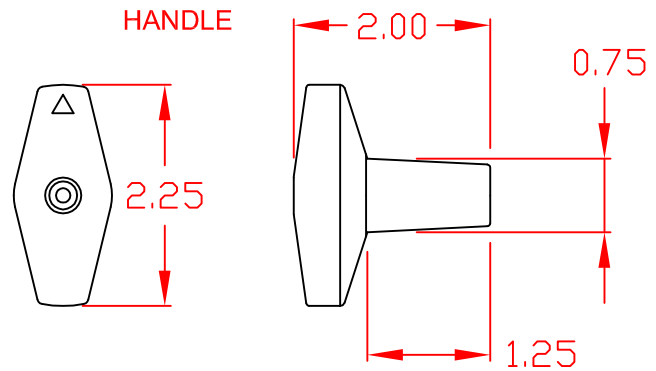
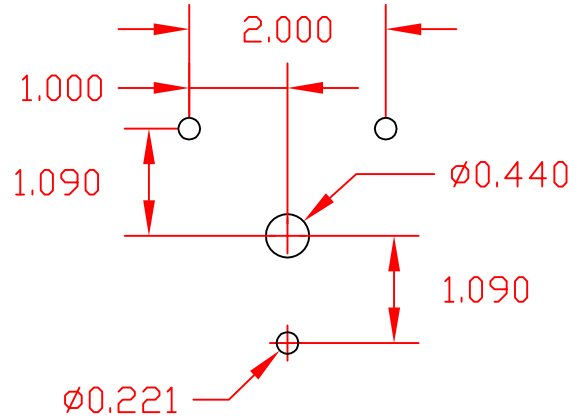
Mechanical:

- * Sections: 4
- * Positions: 3
- * Operation: Shorting (Make before Break)
- * Indexing: 45° positive detent
- * Handle: Piston Grip
- * Escutcheon Plate supplied
- * Rotational Life: 65,000 operations

Materials and Finishes:

- * Rotors and Stators: Thermoset Plastic, UL 94VO
- * Rotor contacts: Phosphor bronze
- * Stator contacts: Silver plated copper, screw type
- * Terminal hardware: silver plated brass
- * Exterior Metal: Steel with zinc chromate finish

MOUNTING HOLE DETAIL



KEY	CONTACTS				POSITION			
	11	12	13	14	15	16	17	18
1	11							
	12							
	13							
	14							
2	21							
	22							
	23							
	24							
3	31							
	32							
	33							
	34							
4	41							
	42							
	43							
	44							

