

SHALLCO SERIES 26
Part Number: 26303B



General:

Meets requirements for 1 - 25 ampere switching of resistive loads to .75 power factor at voltages to 600 V AC and 250 V DC resistive loads

Electrical Ratings: 25A/120 VAC
 15A/600 VAC
 20A/600 VAC (RES)
 3A/125 VDC
 1A/250 VDC



- * Current carrying capacity: 25 amperes
- * Dielectric Withstanding Voltage: 2200 Vrms
- * Contact Resistance: Initial, 10 milliohms max.
- * Insulation Resistance: 100 Megohms min., initial

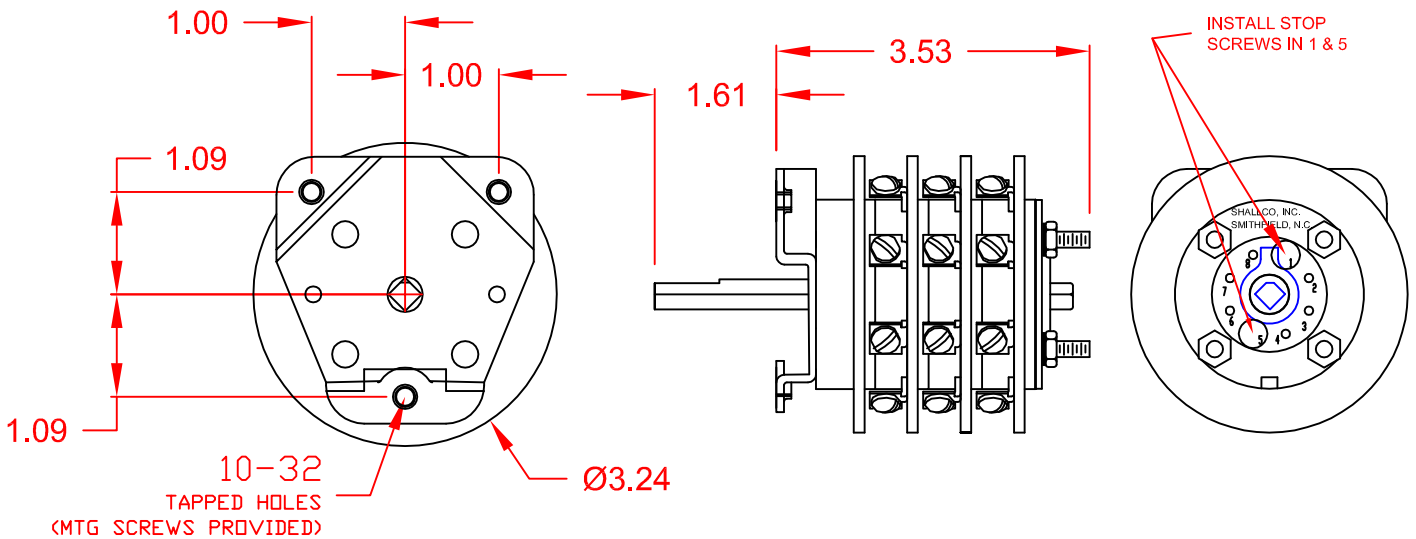
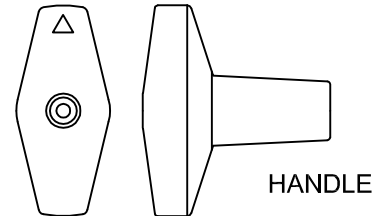
Mechanical:

- * Sections: 3
- * Positions: 8 Adjustable (See Truth Table)
- * Indexing: 45° positive detent
- * Rotational Life: 65,000 operations

Materials and Finishes:

- * Rotors and Stators: Thermoset Plastic
 UL 94VO
- * Rotor contacts: Phosphor bronze
- * Stator contacts: Silver plated copper
 screw type
- * Terminal hardware: silver plated brass
- * Exterior Metal: Steel with zinc chromate finish

DECK	CONTACTS	POSITIONS		
		1	2	3
1	11-12	X		
	12-13		X	
	13-14			X
2	21-22	X		
	22-23		X	
	23-24			X
3	31-32	X		
	32-33		X	
	33-34			X



26303B (SET FOR 4 POS)



308 COMPONENTS DRIVE
 SMITHFIELD, NC 27577 USA