

**SPECIFICATIONS:**  
 NO. OF POSITIONS: 2, TRIP AND RESET  
 NO. OF SECTIONS: 10  
 CONTACTS: 2 NORMALLY OPEN  
 2 NORMALLY CLOSED  
 PER DECK  
 ACTION: 45° POSITIVE TRIP DETENT  
 STATIONARY CONTACTS : SILVER OVER COPPER  
 NAMEPLATE: AS SHOWN

**COIL SPECIFICATIONS:**  
 OPERATING VOLTAGE: 125 VDC / 120 VAC  
 THRESHOLD VOLTAGE: 16 VDC / 20 VAC  
 OPERATING RANGE: 30 - 140 VDC / 30 - 140 VAC  
 CURRENT AT RATED VOLTAGE: 4.6 / 4.4 AMPS

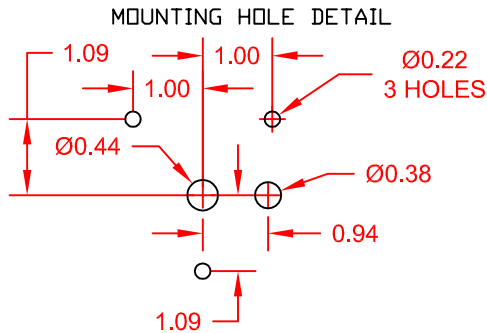
**ELECTRICAL RATINGS:**  
 25 A/120 VAC 3 A/ 125 VDC  
 15 A/240 VAC 1 A/ 250 VDC  
 6 A/600 VAC

**OVERLOAD CURRENT  
 (50 OPERATIONS):**  
 95 A/120 VAC  
 65 A/240 VAC  
 35 A/600 VAC

**DIELECTRIC STRENGTH:**  
 2200 VRMS

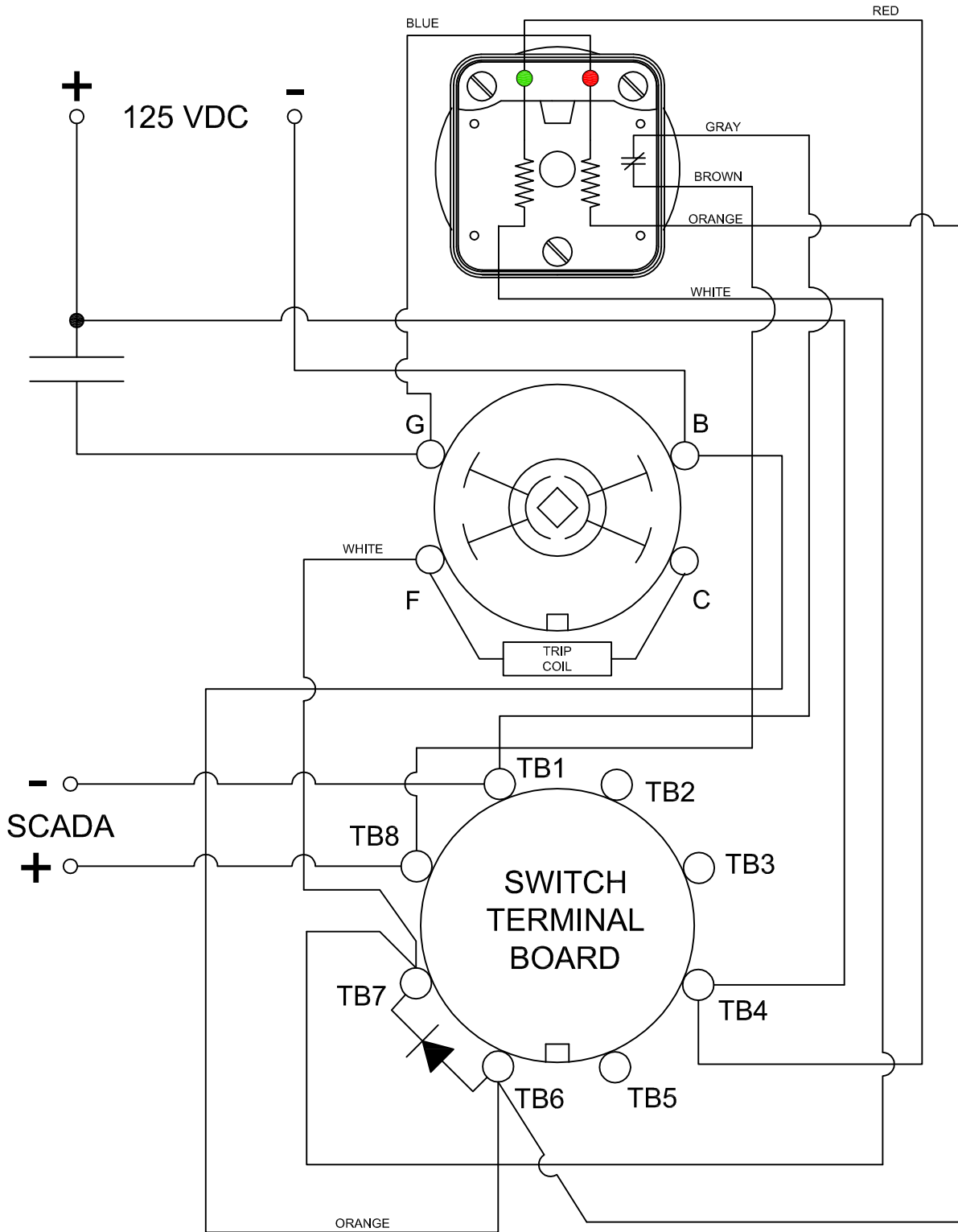
**INSULATION RESISTANCE:**  
 100 MEGOHMS INITIAL

**CONTACT RESISTANCE:**  
 10 MILLIOHMS MAX. INITIAL



DECK	CONTACTS		POSITION	
	TRIP	RESET	TRIP	RESET
1	11	13		
	12	18		
	15	17		
	14	16		
2	21	23		
	22	28		
	25	27		
	24	26		
3	31	33		
	32	38		
	35	37		
	34	36		
4	41	43		
	42	48		
	45	47		
	44	46		
5	51	53		
	52	58		
	54	56		
	55	57		
6	61	63		
	62	68		
	65	67		
	64	66		
7	71	73		
	72	78		
	75	77		
	74	76		
8	81	83		
	82	88		
	85	87		
	84	86		
9	91	93		
	92	98		
	95	97		
	94	96		
10	101	103		
	102	108		
	105	107		
	104	106		

PART NO.  
**7610D125VDCCXAWP**



PART NUMBER

7610D125VDCCXAWP

REV. -

## LOCK-OUT RELAYS (LOR)

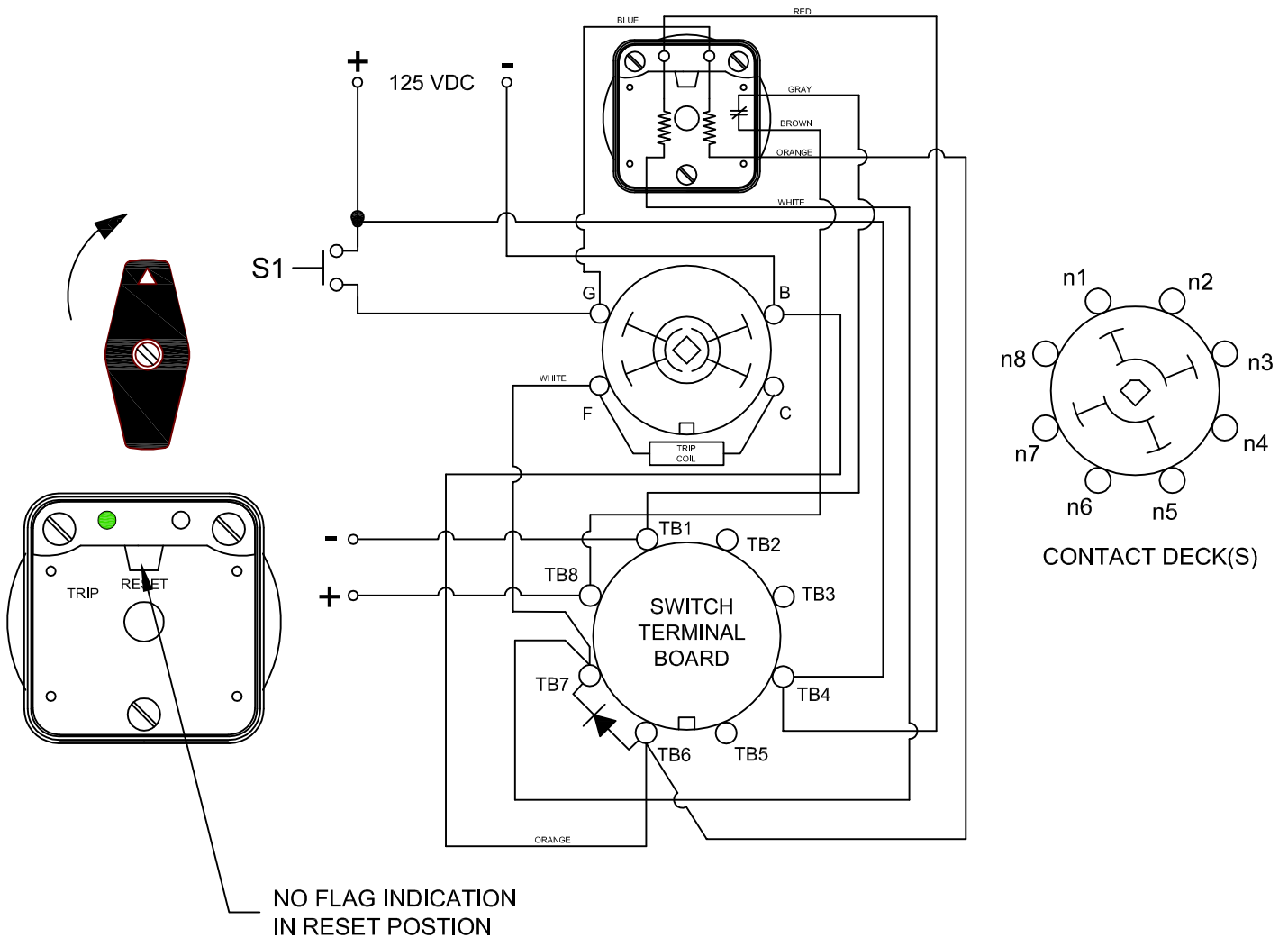
### GENERAL OPERATION:

THE HANDLE OF THE LOR MUST BE MANUALLY ROTATED CLOCKWISE TO PLACE THE UNIT IN THE "RESET" POSITION (SEE FIGURE A)

CONDITION #1	
ROTOR	RESET (AS SHOWN)
SWITCH 1 (S1)	OPEN

RESULT	
LEFT LED	ON
RIGHT LED	OFF
SCADA CIRCUIT (TRIP COIL MONITOR)	OPEN

FIGURE A - RESET POSITION



PART NUMBER

**7610D125VDCCXAWP**

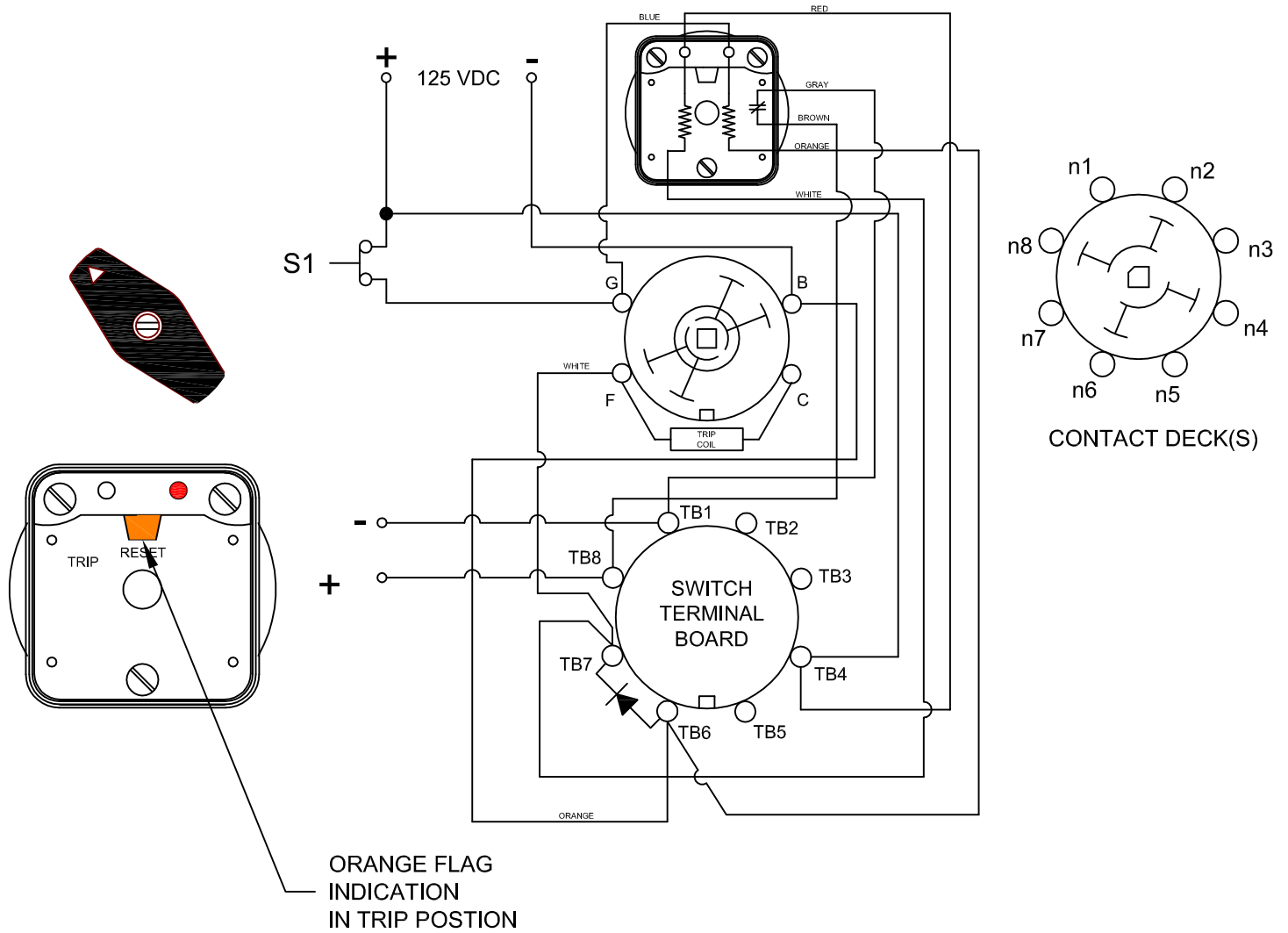
REV. -

CONDITION #2	
ROTOR	RESET (AS SHOWN)
SWITCH 1 (S1)	CLOSED

RESULT	
LEFT LED	OFF
RIGHT LED	ON
SCADA SWITCH	CLOSED

WHEN S1 CLOSSES, THE COIL CAUSES A MECHANICAL ROTATION OF THE RELAY RESULTING IN THE SWITCH ROTOR ADVANCE TO THE "TRIP" POSITION SHOWN

FIGURE B - TRIP POSITION



PART NUMBER  
**7610D125VDCCXAWP** REV. -

AN ISO 9001 COMPANY

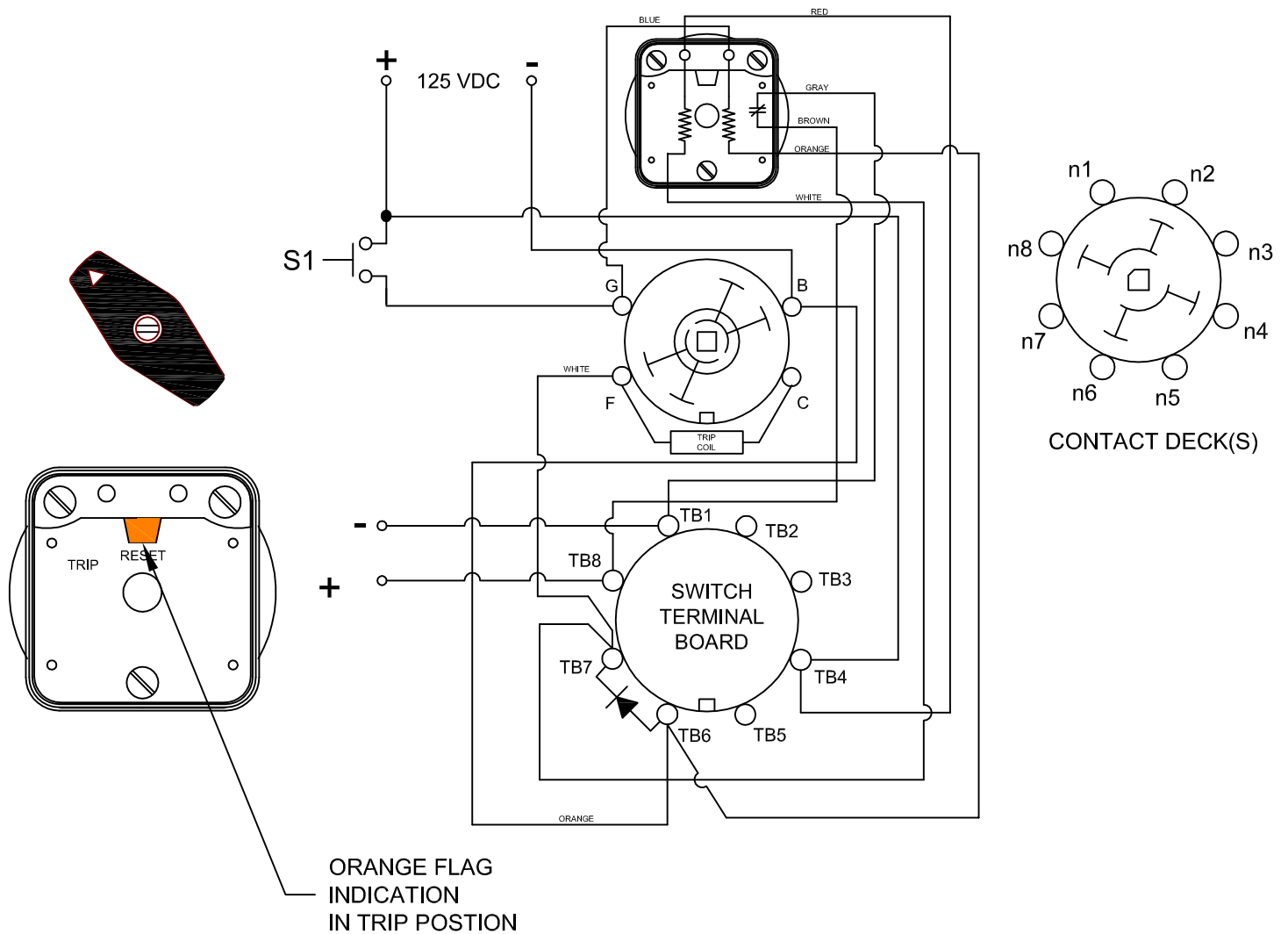
308 COMPONENTS DRIVE  
 SMITHFIELD, NC 27577 USA

CONDITION #2	
ROTOR	RESET (AS SHOWN)
SWITCH 1 (S1)	OPEN

RESULT	
LEFT LED	OFF
RIGHT LED	OFF
SCADA SWITCH	CLOSED

WHEN S1 RE-OPENS, BOTH LED'S ARE OFF AND THE SCADA SWITCH WILL REMAIN CLOSED UNTIL THE LOCK OUT RELAY IS ROTATED BACK TO THE RESET POSITION

FIGURE B - TRIP POSITION



PART NUMBER  
**7610D125VDCCXAWP** REV. -

AN ISO 9001 COMPANY

308 COMPONENTS DRIVE  
 SMITHFIELD, NC 27577 USA