

**SHALLCO SERIES 26**  
**Part Number: 76203D 125VDCAXC**



308 COMPONENTS DRIVE  
 SMITHFIELD, NC 27577 USA

**General:**

Meets requirements for 1 - 25 ampere switching of resistive loads to .75 power factor at voltages to 600 VAC and 250 VDC resistive loads

**Electrical:**

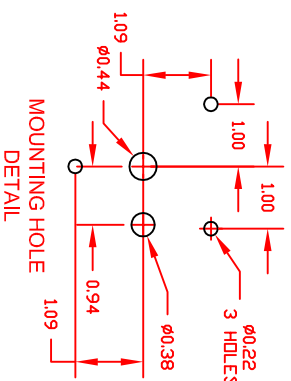
- \* Voltages: 250 V DC, 600 VAC
- \* Current carrying capacity: 25 amperes
- \* Dielectric Withstanding Voltage: 2200 Vrms
- \* Contact Resistance: Initial, 10 milliohms max.
- \* Insulation Resistance: 100 Megohms min., initial
- \* Switch is supplied with a lighted escutcheon plate:
- Input voltage: 125 VDC (40 - 140 VDC)
- Wiring: As shown

**Mechanical:**

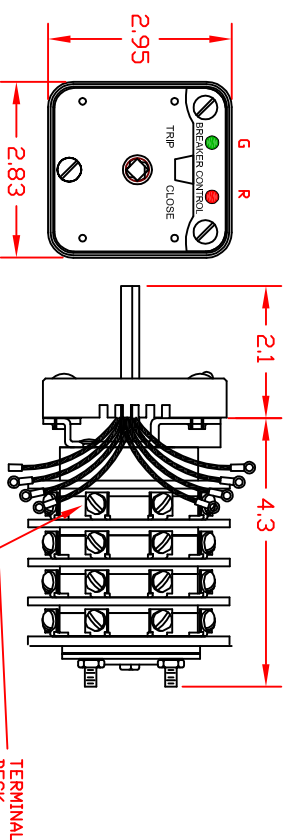
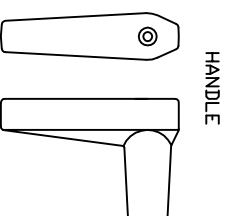
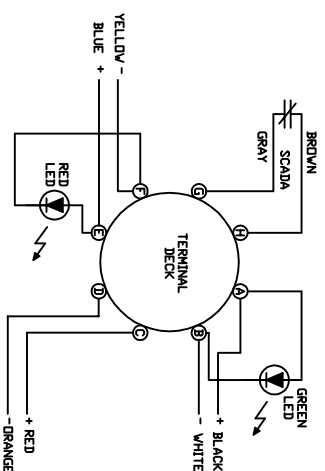
- \* Sections: 3
- \* Positions: 2, Spring Return to Center (Off)
- \* Indexing: 45°
- \* Rotational Life: 65,000 operations

**Materials and Finishes:**

- \* Rotors and Stators: Thermoset Plastic, UL 94V0
- \* Rotor contacts: Phosphor bronze
- \* Stator contacts: Silver plated copper, screw type
- \* Terminal hardware: silver plated brass
- \* Exterior Metal: Steel with zinc chromate finish
- \* Knob: thermoset phenolic



DECK	CONTACT	TRIP	POSITION	
			NORMAL	CLOSE
1	18 - 11	X		
	11 - 12		X	
	12 - 13			X
2	14 - 15	X		
	15 - 16		X	
	16 - 17			X
3	28 - 21	X		
	21 - 22		X	
	22 - 23			X
	24 - 25	X		
	25 - 26		X	
	26 - 27			X
	38 - 31	X		
31 - 32		X		
	32 - 33			X
	34 - 35	X		
	35 - 36		X	
	36 - 37			X



308 COMPONENTS DRIVE  
 SMITHFIELD, NC 27577 USA

76203D 125VDCAXC

REV. A