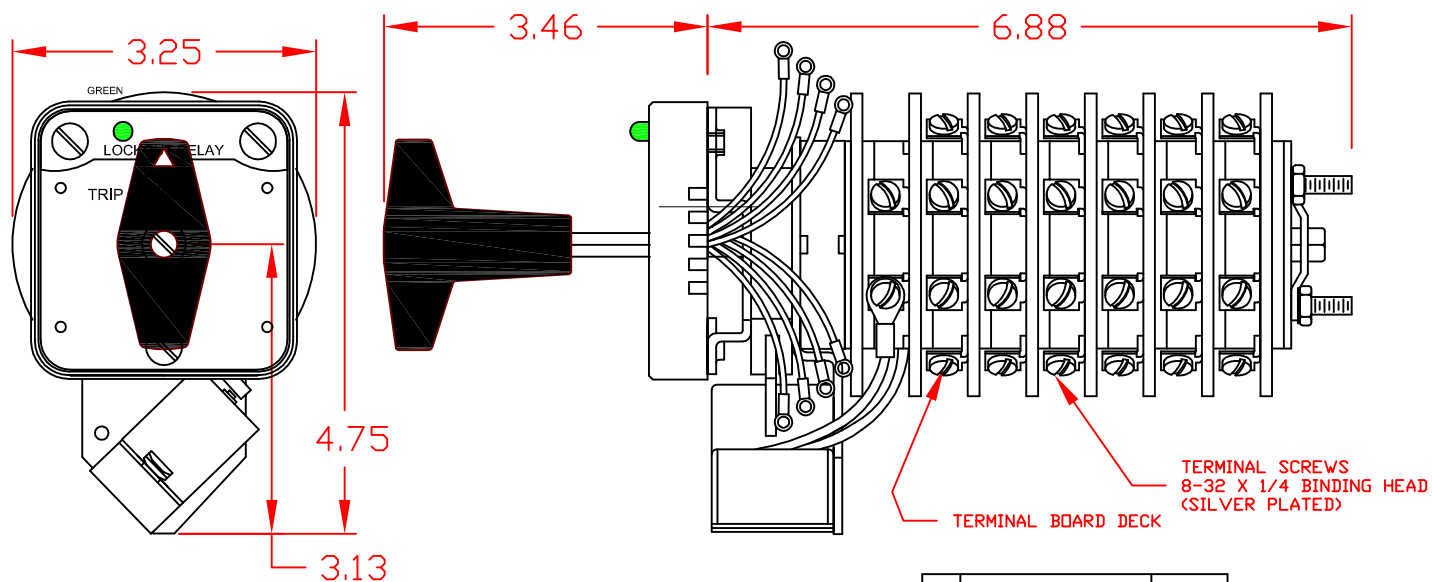


# 7605E 125VDCCXX



### SPECIFICATIONS:

NO. OF POSITIONS: 2, TRIP AND RESET

NO. OF SECTIONS: 5

CONTACTS: 2 NORMALLY OPEN  
2 NORMALLY CLOSED  
PER DECK

ACTION: 45° POSITIVE TRIP DETENT

STATIONARY CONTACTS : SILVER OVER COPPER

NAMEPLATE: AS SHOWN

### COIL/LIGHTED PANEL SPECIFICATIONS:

OPERATING VOLTAGE: 125 VDC

OPERATING RANGE: 45-140 VDC

CURRENT AT RATED VOLTAGE: 2.5 AMPS

### ELECTRICAL RATINGS:

25A/120 VAC 15A/600 VAC

20A/600 VAC (RESISTIVE)

3A/125 VDC 1A/250 VDC



DECK	CONTACTS		POSITION	
	TRIP	RESET	TRIP	RESET
1	11	13	X	X
	12	18	X	X
	15	17	X	X
	16	14	X	X
2	21	23	X	X
	22	28	X	X
	25	27	X	X
	26	24	X	X
3	31	33	X	X
	32	38	X	X
	35	37	X	X
	36	34	X	X
4	41	43	X	X
	42	48	X	X
	45	47	X	X
	46	44	X	X
5	51	53	X	X
	52	58	X	X
	55	57	X	X
	56	54	X	X

### OVERLOAD CURRENT

(50 OPERATIONS):

95 A/120 VAC

65 A/240 VAC

35 A/600 VAC

### DIELECTRIC STRENGTH:

2200 VRMS

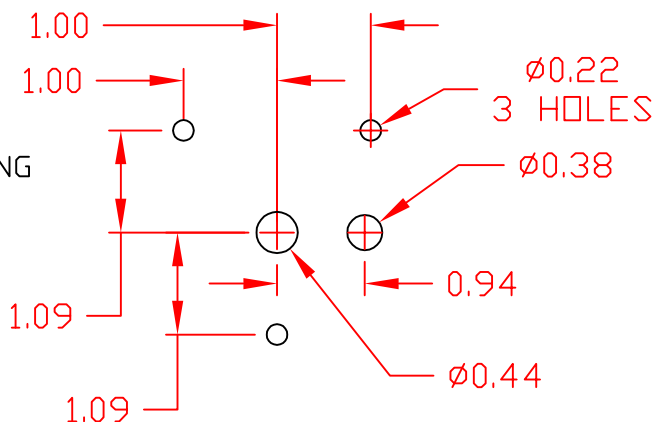
### INSULATION RESISTANCE:

100 MEGOHMS INITIAL

### CONTACT RESISTANCE:

10 MILLIOHMS MAX. INITIAL

MOUNTING HOLE  
DETAIL



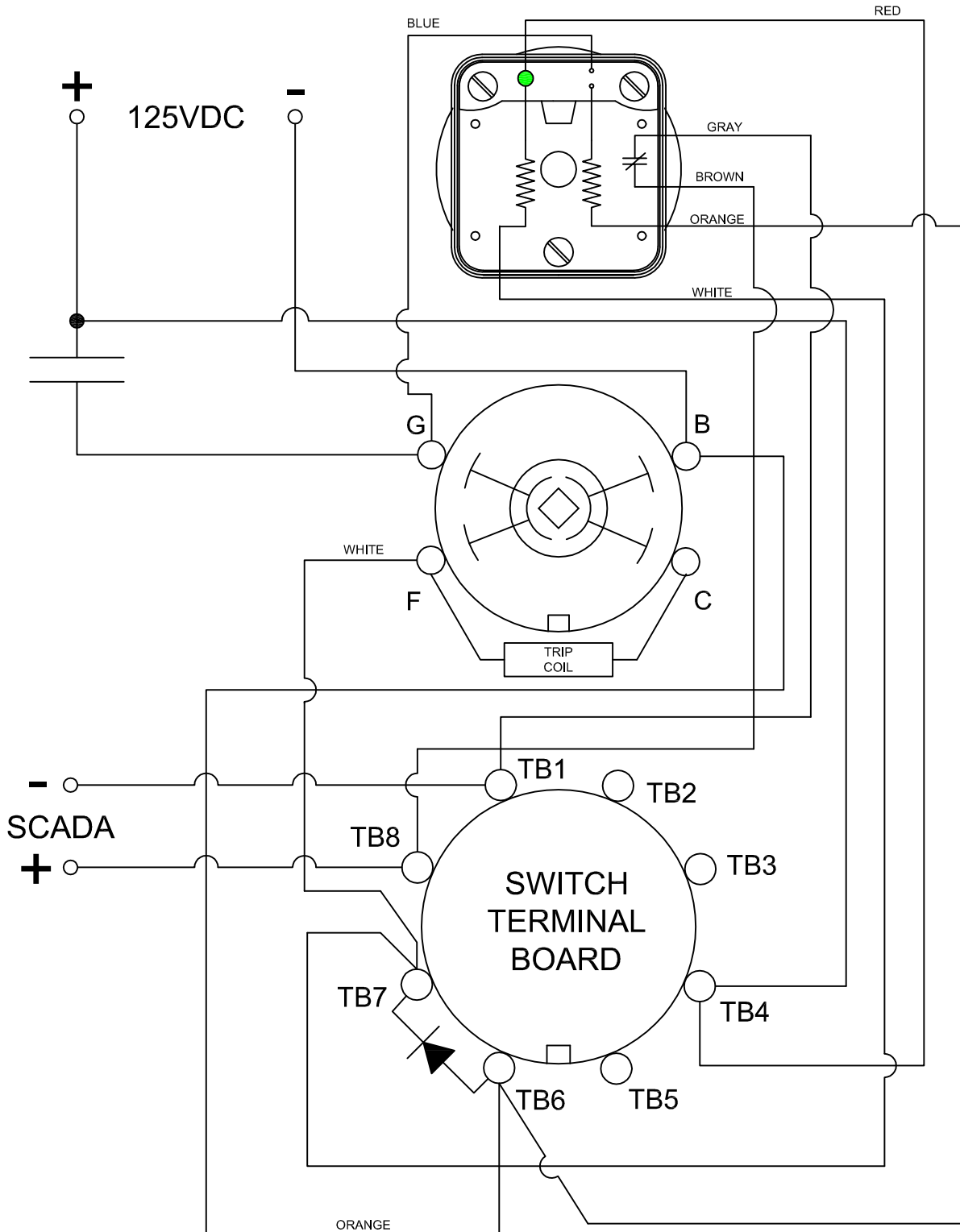
DESCRIPTION

LOCK-OUT RELAY SPECIFICATION SHEET

PART NUMBER

7605E 125VDCCXX

# 7605E 125VDCCXX



DESCRIPTION

LOCK-OUT RELAY SPECIFICATION SHEET

PART NUMBER

7605E 125VDCCXX

# 7605E 125VDCCXX

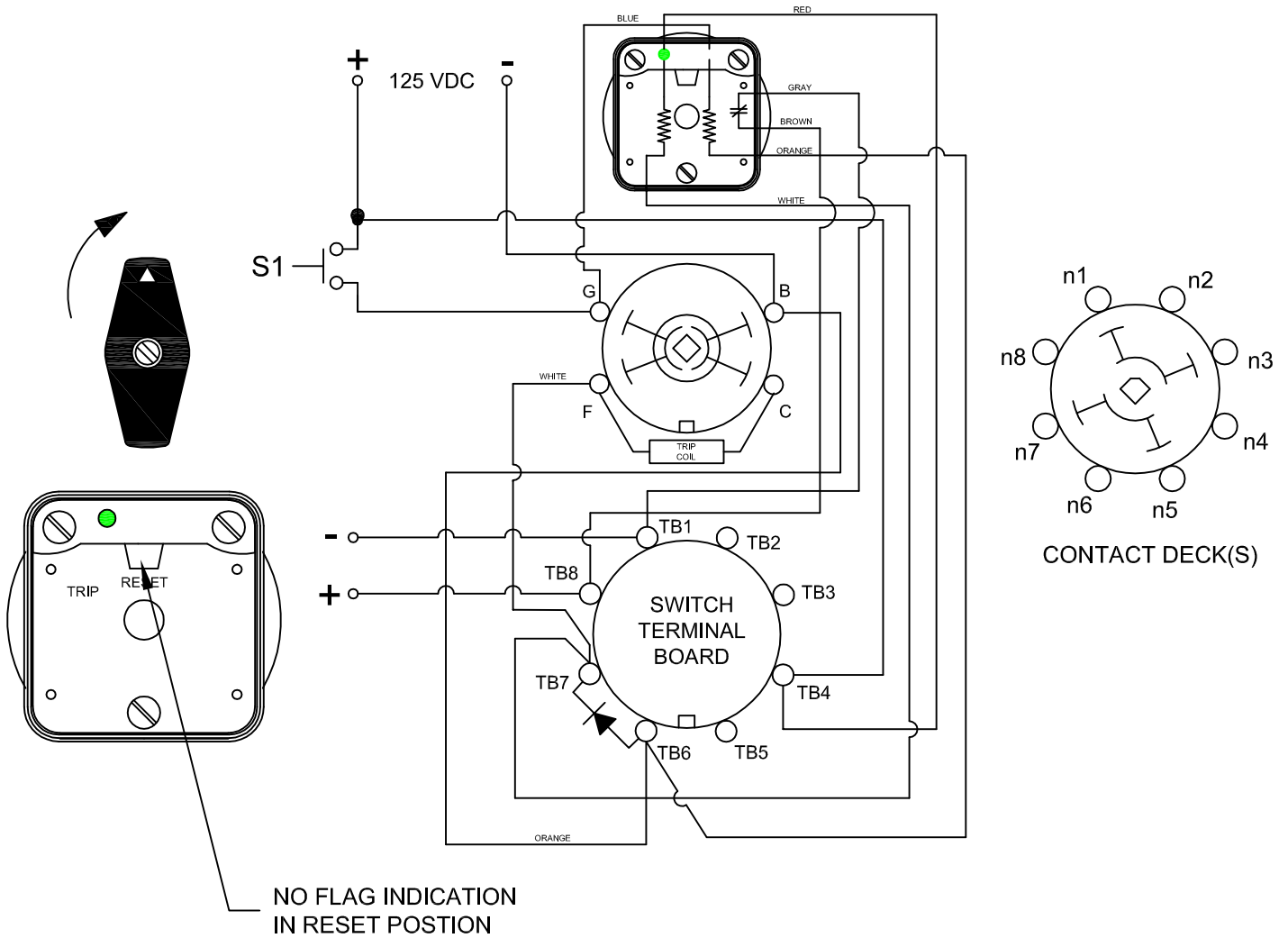
## LOCK-OUT RELAYS (LOR)

### GENERAL OPERATION:

THE HANDLE OF THE LOR MUST BE MANUALLY ROTATED CLOCKWISE TO PLACE THE UNIT IN THE "RESET" POSITION (SEE FIGURE A)

CONDITION #1		RESULT	
ROTOR	RESET (AS SHOWN)	LEFT LED	ON
SWITCH 1 (S1)	OPEN	SCADA CIRCUIT TRIP COIL MONITOR)	OPEN

FIGURE A - RESET POSITION



DESCRIPTION

LOCK-OUT RELAY SPECIFICATION SHEET

PART NUMBER

7605E 125VDCCXX

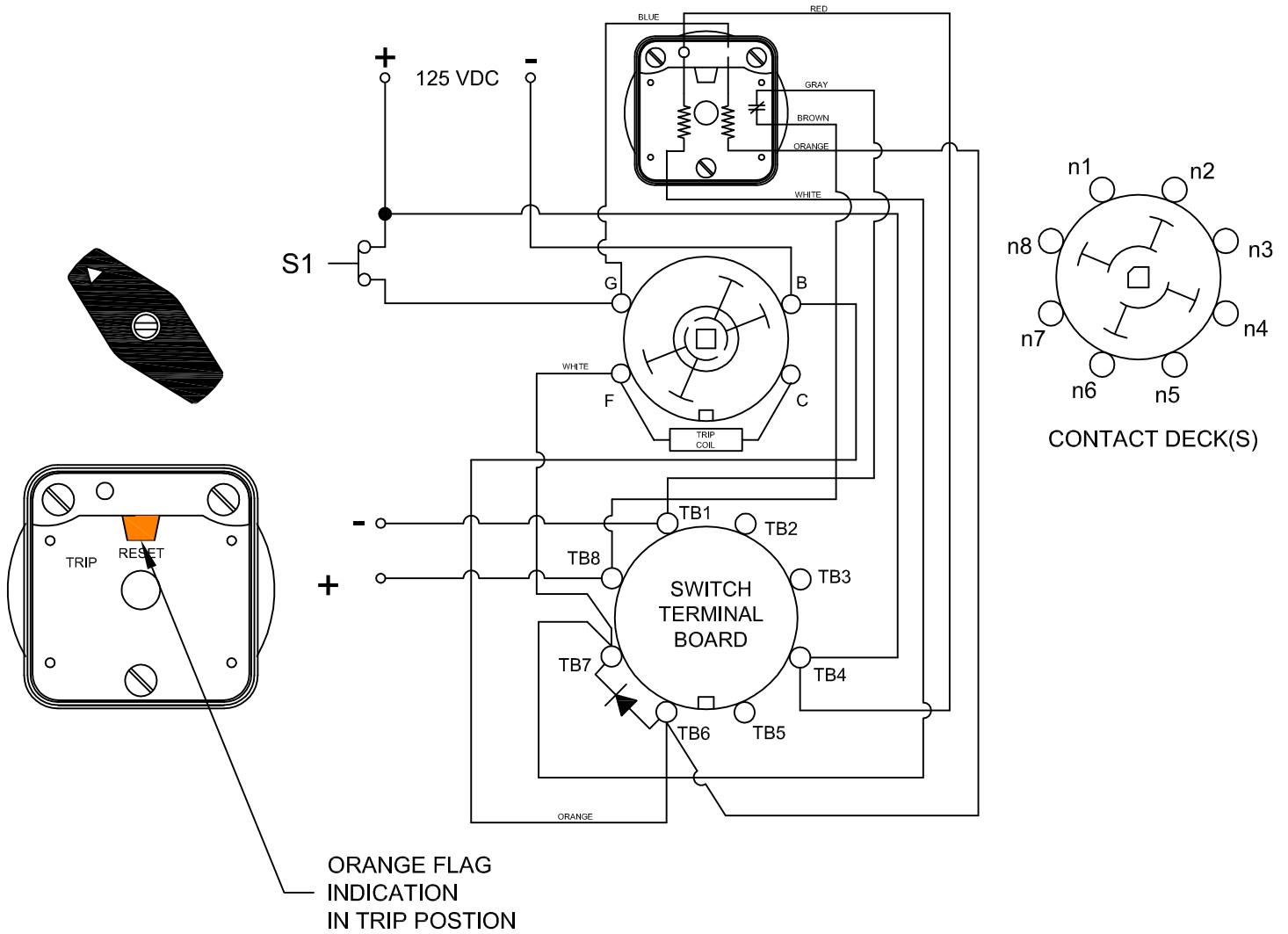
# 7605E 125VDCCXX

CONDITION #2	
ROTOR	TRIP (AS SHOWN)
SWITCH 1 (S1)	CLOSED

RESULT	
LEFT LED	OFF
SCADA SWITCH	CLOSED

WHEN S1 CLOSES, THE COIL CAUSES A MECHANICAL ROTATION OF THE RELAY RESULTING IN THE SWITCH ROTOR ADVANCE TO THE "TRIP" POSITION SHOWN

FIGURE B - TRIP POSITION



DESCRIPTION

LOCK-OUT RELAY SPECIFICATION SHEET

PART NUMBER

7605E 125VDCCXX

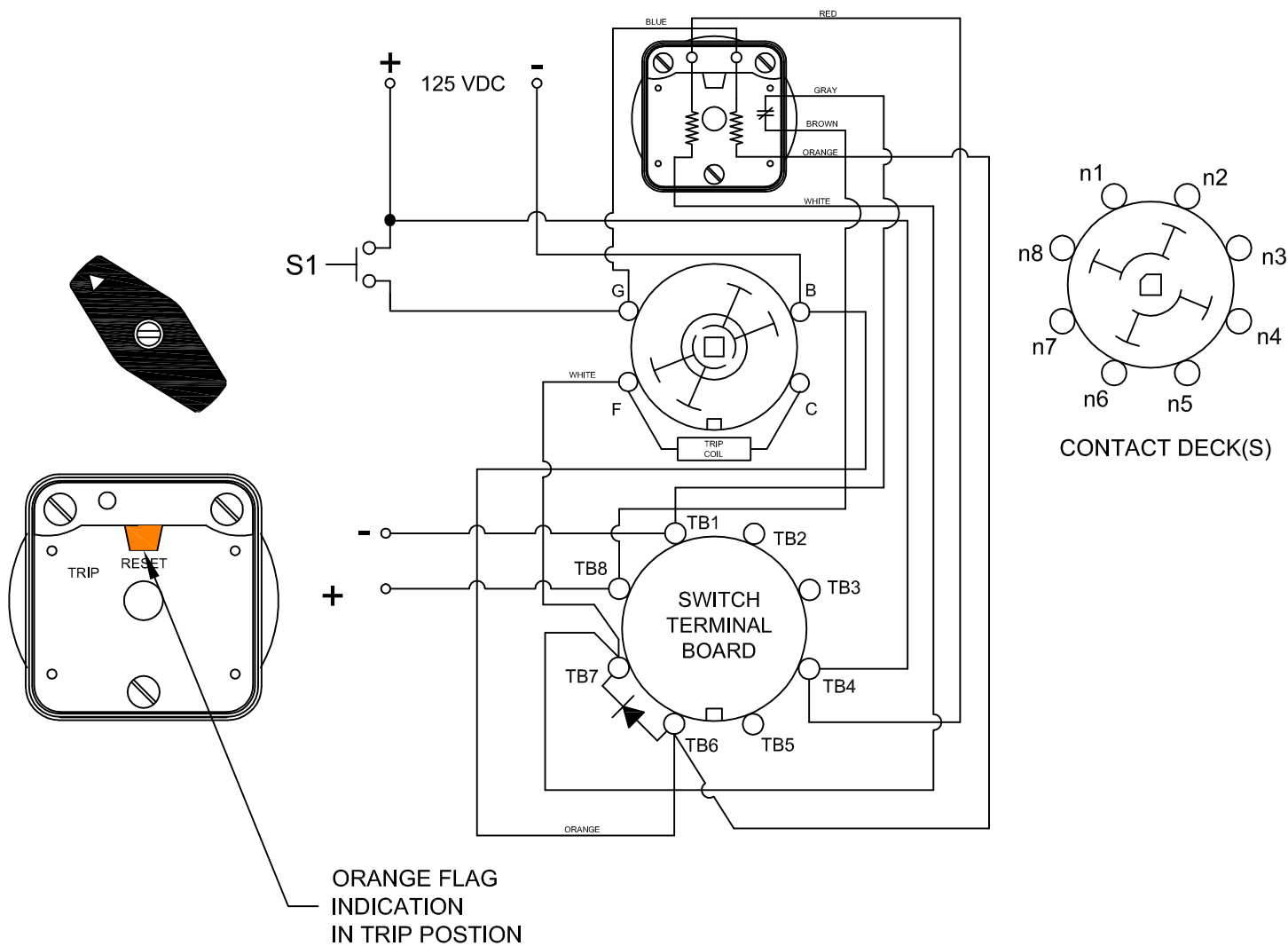
# 7605E 125VDCCXX

CONDITION #2	
ROTOR	TRIP (AS SHOWN)
SWITCH 1 (S1)	OPEN

RESULT	
LEFT LED	OFF
SCADA SWITCH	CLOSED

WHEN S1 OPENS, THE SCADA SWITCH CIRCUIT WILL REMAIN CLOSED UNTIL THE LOCK OUT RELAY IS ROTATED BACK TO THE RESET POSITION

FIGURE B - TRIP POSITION



DESCRIPTION

LOCK-OUT RELAY SPECIFICATION SHEET

PART NUMBER

7605E 125VDCCXX