

# SHALLCO SERIES 26

Part Number: 26204C



## General:

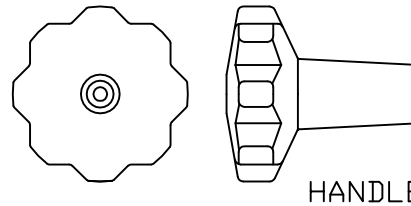
Meets requirements for 1 - 25 ampere switching of resistive loads to .75 power factor at voltages to 600 V AC and 250 V DC resistive loads

## Electrical:

\* Ratings:



- 25A/120 VAC
- 15A/600 VAC
- 20A/600 VAC (RESISTIVE)
- 3A/125 VDC
- 1A/250 VDC



HANDLE

- \* Current carrying capacity: 25 amperes
- \* Dielectric Withstanding Voltage: 2200 Vrms
- \* Contact Resistance: Initial, 10 milliohms max.
- \* Insulation Resistance: 100 Megohms min., initial

## Mechanical:

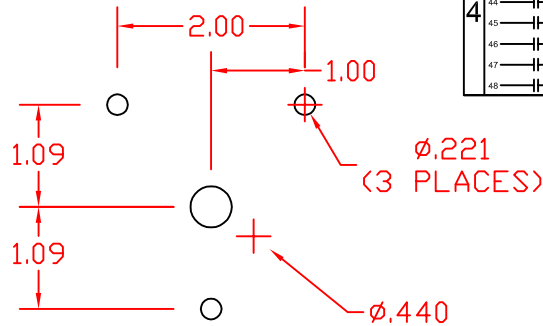
- \* Sections: 4
- \* Positions: 8 (adjustable)
- \* Indexing: 45°
- \* Rotational Life: 65,000 operations

## Materials and Finishes:

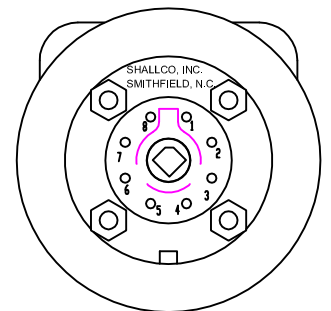
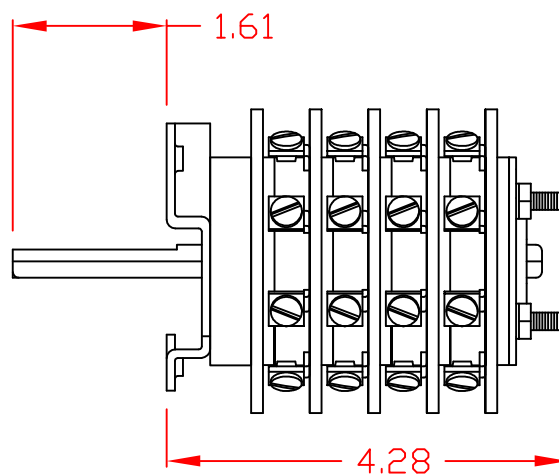
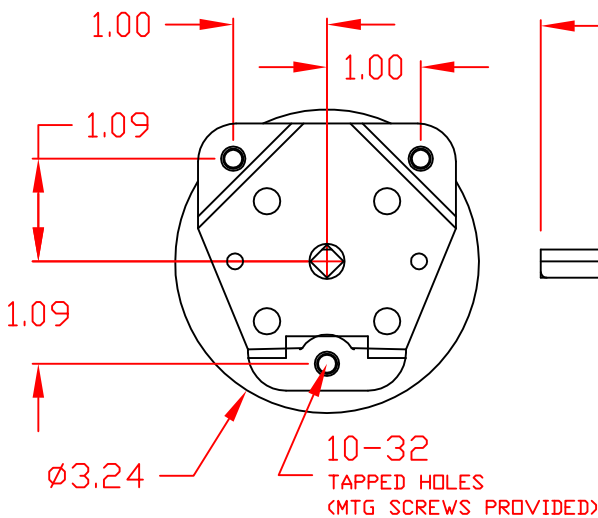
- \* Rotors and Stators: Thermoset Plastic, UL 94VO
- \* Rotor contacts: Phosphor bronze
- \* Stator contacts: Silver plated copper, screw type
- \* Terminal hardware: silver plated brass
- \* Exterior Metal: Steel with zinc chromate finish
- \* Knob: thermoset phenolic

## CONTACT TABLE

SECT	CONTACTS	POSITION							
		1	2	3	4	5	6	7	8
1	11								
	12								
	13								
	14								
	15								
	16								
	17								
	18								
2	21								
	22								
	23								
	24								
	25								
	26								
	27								
	28								
3	31								
	32								
	33								
	34								
	35								
	36								
	37								
	38								
4	41								
	42								
	43								
	44								
	45								
	46								
	47								
	48								



MOUNTING HOLE  
DETAIL



DESCRIPTION

26204C

CUSTOMER REFERENCE:  
TERMINAL SCREWF TIGHTENING  
TORQUE: 8 IN-LBS



308 COMPONENTS DRIVE  
SMITHFIELD, NC 27577 USA

REV. -