

SHALLCO SERIES 26

Part Number: 26203B



General:

Meets requirements for 1 - 25 ampere switching of resistive loads to .75 power factor at voltages to 600 V AC and 250 V DC resistive loads

Electrical Ratings: 25A/120 VAC
 15A/600 VAC
 20A/600 VAC (RES)
 3A/125 VDC
 1A/250 VDC



- * Current carrying capacity: 25 amperes
- * Dielectric Withstanding Voltage: 2200 Vrms
- * Contact Resistance: Initial, 10 milliohms max.
- * Insulation Resistance: 100 Megohms min., initial

Mechanical:

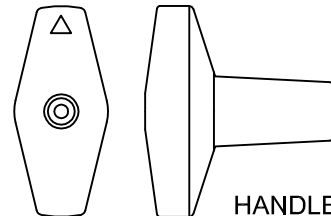
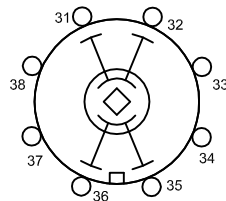
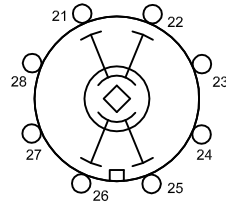
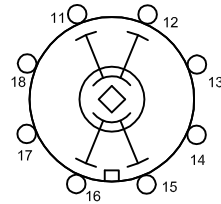
- * Sections: 3
- * Positions: 8 Adjustable (See Contact Table)
- * Indexing: 45° positive detent
- * Rotational Life: 65,000 operations

Materials and Finishes:

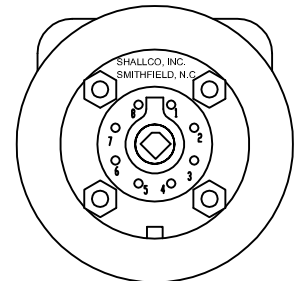
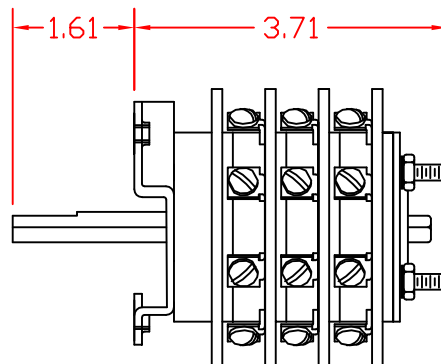
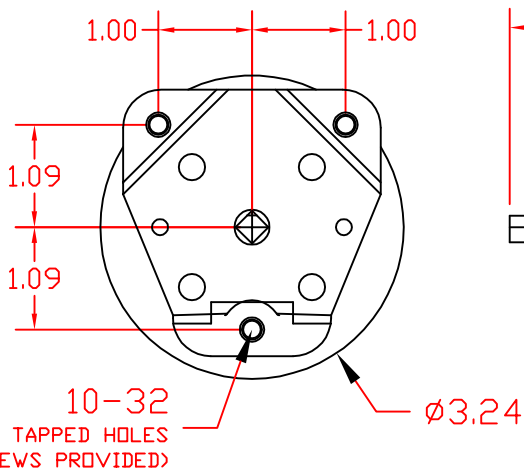
- * Rotors and Stators: Thermoset Plastic UL 94VO
- * Rotor contacts: Phosphor bronze
- * Stator contacts: Silver plated copper screw type
- * Terminal hardware: silver plated brass
- * Exterior Metal: Steel with zinc chromate finish

CONTACT TABLE

DECK	CONTACTS	POSITION							
		1	2	3	4	5	6	7	8
1	11	X				X			
	12		X						
	13			X					
	14				X				
	15	X				X			
	16		X						
	17			X					
	18				X				
	18					X			
2	21	X				X			
	22		X						
	23			X					
	24				X				
	25	X				X			
	26		X						
	27			X					
	28				X				
	28					X			
3	31	X				X			
	32		X						
	33			X					
	34				X				
	35	X				X			
	36		X						
	37			X					
	38				X				
	38					X			



HANDLE



26203B

REV. A



308 COMPONENTS DRIVE
 SMITHFIELD, NC 27577 USA