

SHALLCO SERIES 26
Part Number: 2645D



308 COMPONENTS DRIVE
 SMITHFIELD, NC 27577 USA

General:

Meets requirements for 1 - 25 ampere switching of resistive loads to .75 power factor at voltages to 600 V AC and 250 VDC resistive loads

Electrical:

* Ratings:

- 25A/120 VAC
- 15A/600 VAC
- 20A/600 VAC (RESISTIVE)
- 3A/125 VDC
- 1A/250 VDC



- * Current carrying capacity: 25 amperes
- * Dielectric Withstanding Voltage: 2200 Vrms
- * Contact Resistance: Initial, 10 milliohms max.
- * Insulation Resistance: 100 Megohms min., initial

Mechanical:

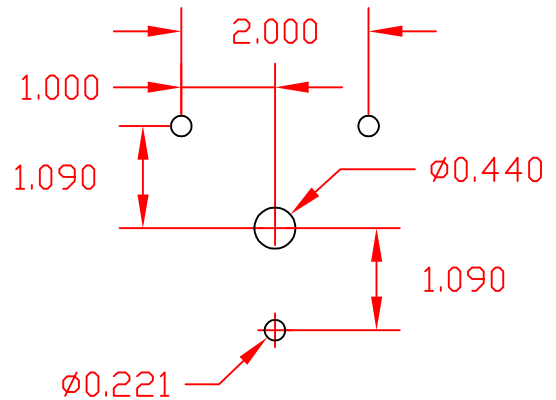
- * Sections: 4 active
- * Positions: 2 Shaft will spring return to the center (rest) positions (See Truth Table and Operation)
- * Operation: Non-shorting
 Detent Type: Section 1 & 2 - Spring Return
 Detent Type: Section 3 & 4 - Slip Detent
- * Indexing: 45°
- * Rotational Life: 65,000 operations

Materials and Finishes:

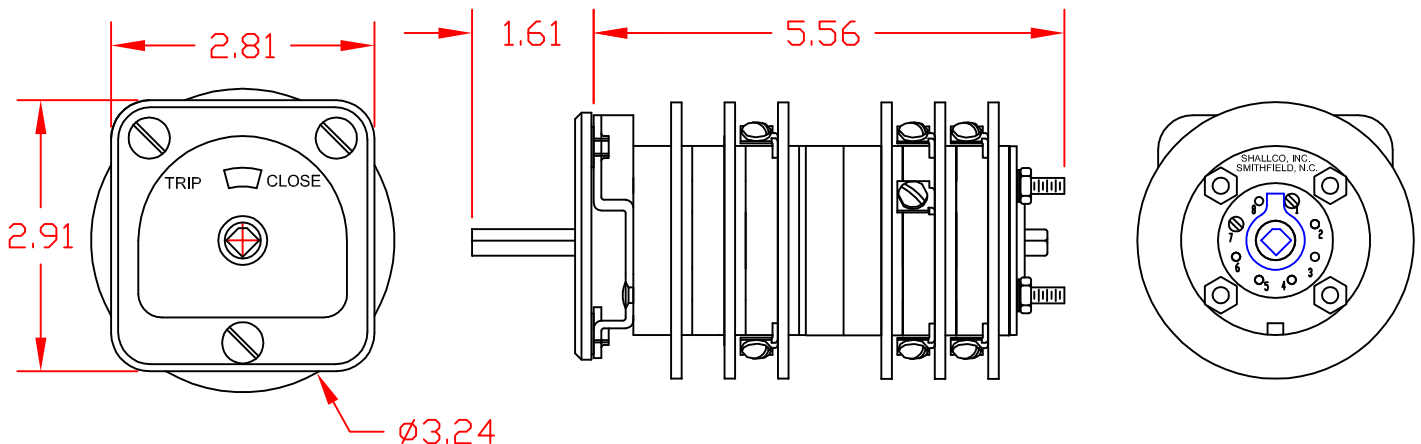
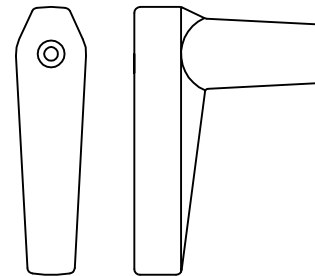
- * Rotors and Stators: Thermoset Plastic, UL 94VO
- * Rotor contacts: Phosphor bronze
- * Stator contacts: Silver plated copper, screw type
- * Terminal hardware: silver plated brass
- * Exterior Metal: Steel with zinc chromate finish
- * Knob: thermoset phenolic

| DECK | CONTACTS | | | | POSITION | | | |
|------|----------|----|----|----|----------|------|-----|-------|
| | 11 | 16 | 17 | 18 | TRIP | rest | mac | CLOSE |
| 1 | 11 | 16 | 17 | 18 | X | | | |
| | | | | | | | | X |
| 2 | 21 | | | 22 | | X | X | |
| | | | | | | | | X |
| 3 | 32 | | | 33 | | | X | X |
| | 36 | | | 37 | | | X | X |
| 4 | 41 | | | 42 | X | X | | |
| | 45 | | | 46 | X | X | | |

MOUNTING HOLE DETAIL



HANDLE



308 COMPONENTS DRIVE
 SMITHFIELD, NC 27577 USA

2645D

REV A