

**Circuit Breaker Trip Switch**

**General:**

Meets requirements for 1 - 25 ampere switching of resistive loads to .75 power factor at voltages to 600 V AC and 250 V DC resistive loads

**Electrical:**

- \* Ratings:
- 25A/120 VAC
- 15A/600 VAC
- 20A/600 VAC (RESISTIVE)
- 3A/125 VDC
- 1A/250 VDC



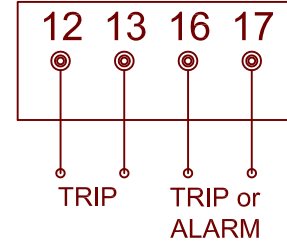
- \* Current carrying capacity: 25 amperes
- \* Dielectric Withstanding Voltage: 2200 Vrms
- \* Contact Resistance: Initial, 10 milliohms max.
- \* Insulation Resistance: 100 Megohms min., initial

**Mechanical:**

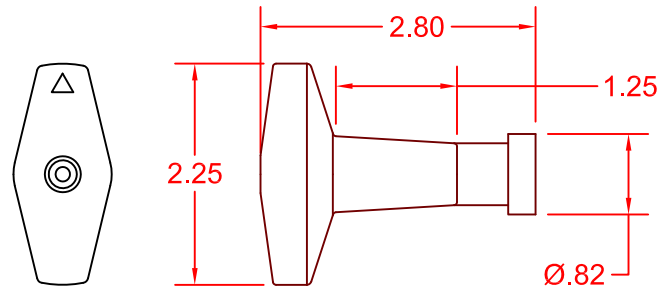
- \* Sections: 2
- \* Positions: 2 with spring return to rest (normal) position
- \* Indexing: 45°
- \* Rotational Life: 65,000 operations

**Materials and Finishes:**

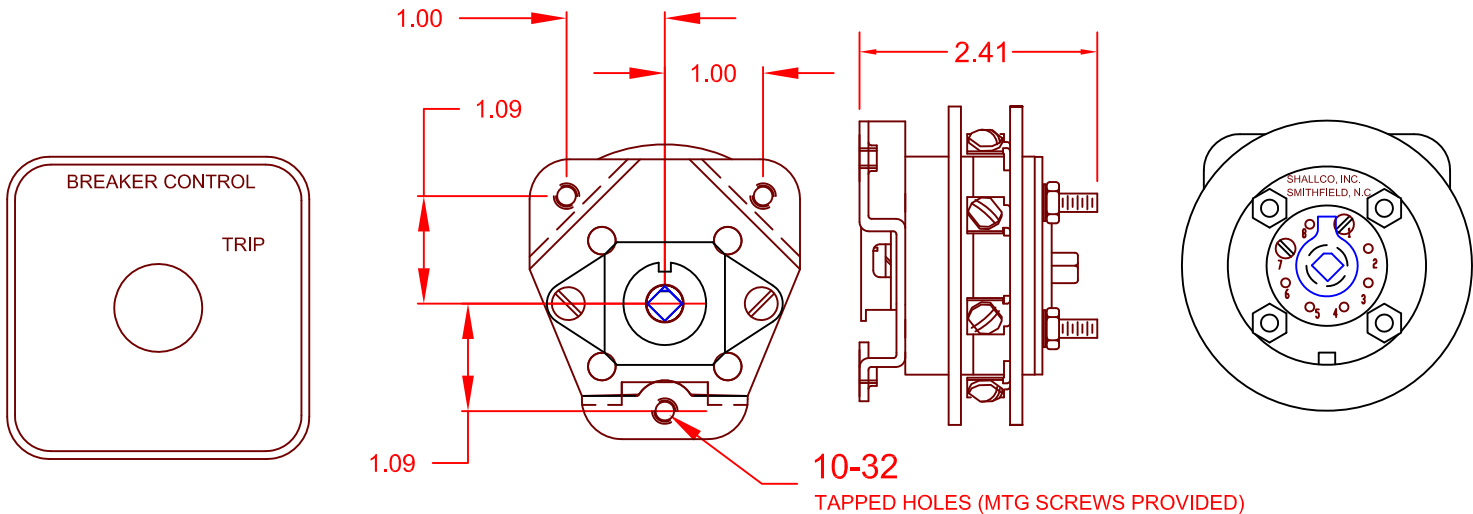
- \* Rotors and Stators: Thermoset Plastic, UL 94VO
- \* Rotor contacts: Phosphor bronze
- \* Stator contacts: Silver plated copper, screw type
- \* Terminal hardware: silver plated brass
- \* Exterior Metal: Steel with zinc chromate finish
- \* Knob: thermoset phenolic



		POS.	
DECK	CONTACTS	normal	TRIP
1	12-O- --- --- O-13		X
	16-O- --- --- O-17		X



HANDLE TYPE: OVAL REMOVABLE



2638E