

**SHALLCO SERIES 26**  
**Part Number: 26505C-2**



**General:**

Meets requirements for 1 - 25 ampere switching of resistive loads to .75 power factor at voltages to 600 V AC and 250 VDC resistive loads

**Electrical:**

\* Ratings: 25A/120 VAC

15A/600 VAC

20A/600 VAC (RESISTIVE)

3A/125 VDC

1A/250 VDC

\* Current carrying capacity: 25 amperes

\* Dielectric Withstanding Voltage: 2200 Vrms

\* Contact Resistance: Initial, 10 milliohms max.

\* Insulation Resistance: 100 Megohms min., initial

**Mechanical:**

\* Sections: 5\*

- Positions: 2 (ON-ON) (STOPS INSTALLED)

\* Indexing: 45°

\* Rotational Life: 65,000 operations

**Materials and Finishes:**

\* Rotors and Stators: Thermoset Plastic, UL 94VO

\* Rotor contacts: Phosphor bronze

\* Stator contacts: Silver plated copper, screw type

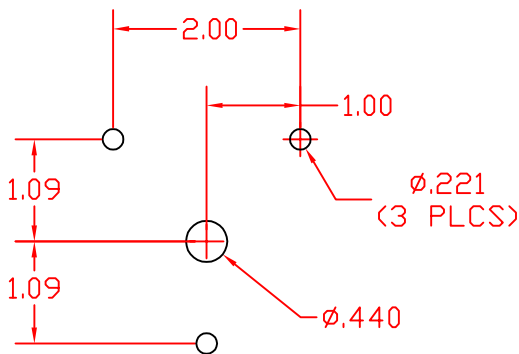
\* Terminal hardware: silver plated brass

\* Exterior Metal: Steel with zinc chromate finish

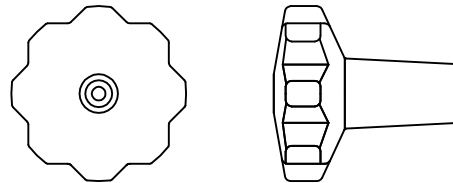
\* Knob: thermoset phenolic

DECK	CONTACTS	POS.	
		1	2
1	110-1-1-013	X	
	120-1-1-014		X
	150-1-1-017	X	
	160-1-1-018		X
2	210-1-1-023	X	
	220-1-1-024		X
	250-1-1-027	X	
	260-1-1-028		X
3	310-1-1-033	X	
	320-1-1-034		X
	350-1-1-037	X	
	360-1-1-038		X
DECK	CONTACTS	POS.	
		1	2
4	410-1-1-043	X	
	420-1-1-044		X
	450-1-1-047	X	
	460-1-1-048		X
5	510-1-1-053	X	
	520-1-1-054		X
	550-1-1-057	X	
	560-1-1-058		X

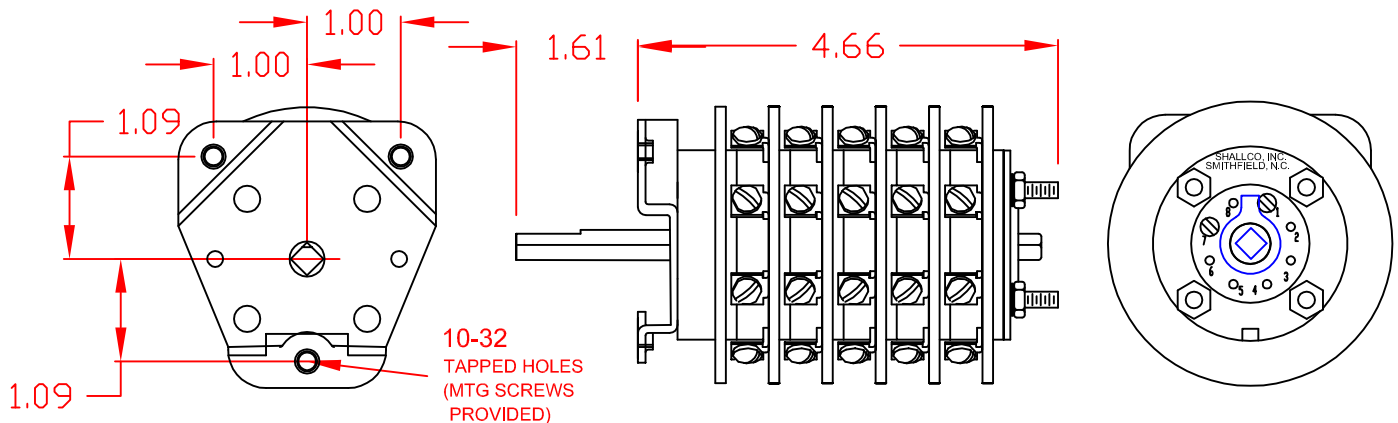
CONTACT TABLE



MOUNTING HOLE DETAIL



KNOB: KNURLED



PART NUMBER: **26505C-2**



308 COMPONENTS DRIVE  
 SMITHFIELD, NC 27577 USA