

**SHALLCO SERIES 26**  
**Part Number: 76502D-3**



**General:**

Meets requirements for 1 - 25 ampere switching of resistive loads to .75 power factor at voltages to 600 V AC and 250 VDC resistive loads

**Electrical:**

- \* Ratings: 25A/120 VAC
- 15A/600 VAC
- 20A/600 VAC (RESISTIVE)
- 3A/125 VDC
- 1A/250 VDC



- \* Current carrying capacity: 25 amperes
- \* Dielectric Withstanding Voltage: 2200 Vrms
- \* Contact Resistance: Initial, 10 milliohms max.
- \* Insulation Resistance: 100 Megohms min., initial

**Mechanical:**

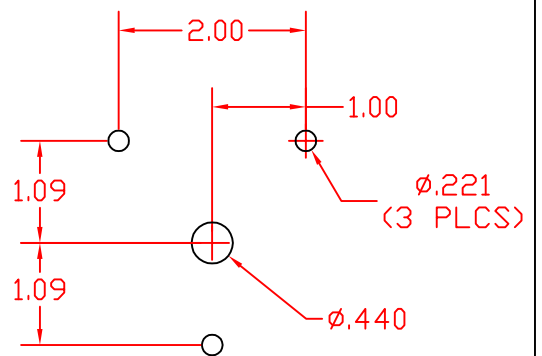
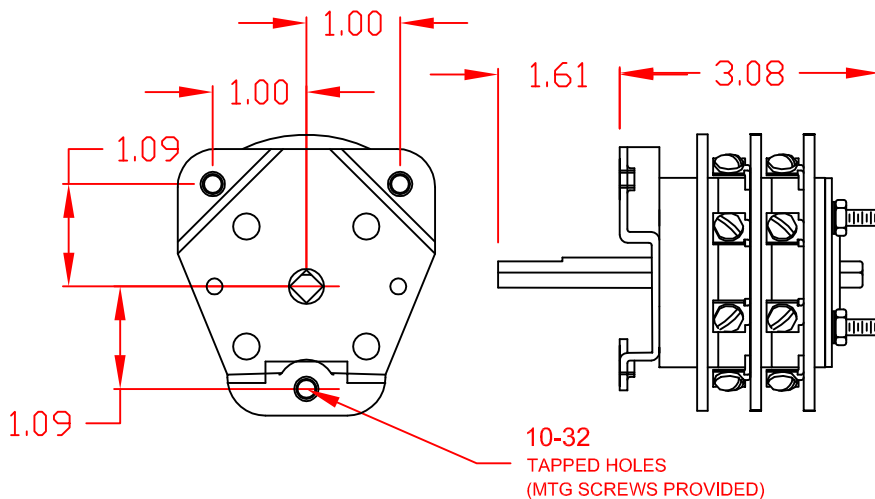
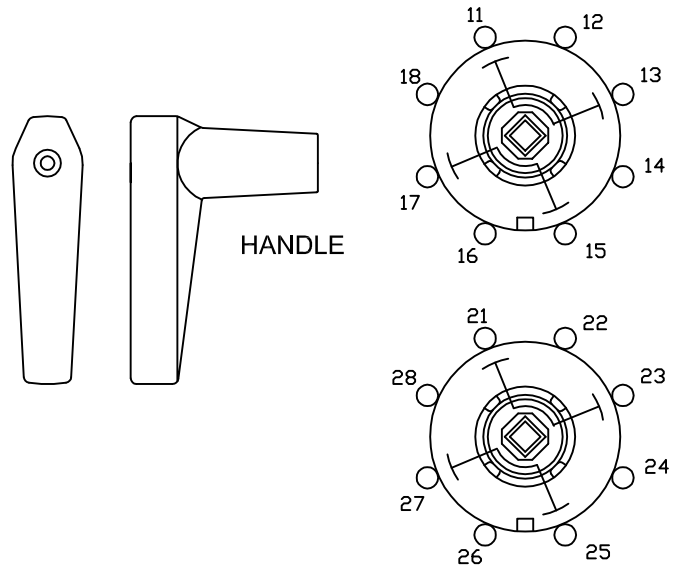
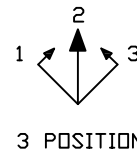
- \* Sections: 2
- \* Positions: 3 (Spring return from Pos 1 and Pos 3 to Position 2 (Center))
- \* Indexing: 45°
- \* Rotational Life: 65,000 operations

**Materials and Finishes:**

- \* Rotors and Stators: Thermoset Plastic, UL 94VO
- \* Rotor contacts: Phosphor bronze
- \* Stator contacts: Silver plated copper, screw type
- \* Terminal hardware: silver plated brass
- \* Exterior Metal: Steel with zinc chromate finish
- \* Knob: thermoset phenolic

**CONTACT TABLE**

DECK	CONTACTS	POSITION		
		1	2	3
1	18 →       → 12	X		
	11 →       → 13		X	
	12 →       → 14			X
	14 →       → 16	X		
	15 →       → 17		X	
	16 →       → 18			X
2	28 →       → 22	X		
	21 →       → 23		X	
	22 →       → 24			X
	24 →       → 26	X		
	25 →       → 27		X	
	26 →       → 28			X



**76502D-3**



308 COMPONENTS DRIVE  
 SMITHFIELD, NC 27577 USA