

General:

Meets requirements for 1 - 25 ampere switching of resistive loads to .75 power factor at voltages to 600 VAC and 250 VDC resistive loads

Electrical:

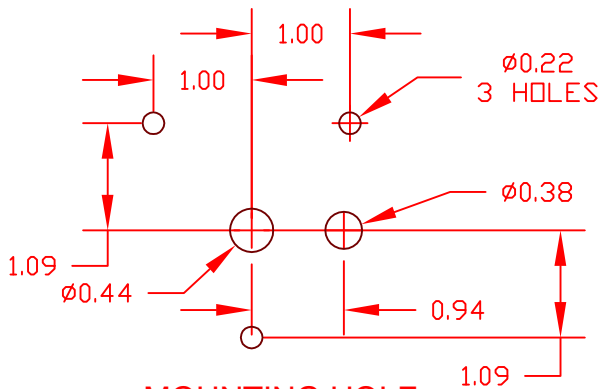
- * Voltages: 250 V DC, 600 VAC
 - * Current carrying capacity: 25 amperes
 - * Dielectric Withstanding Voltage: 2200 Vrms
 - * Contact Resistance: Initial, 10 milliohms max.
 - * Insulation Resistance: 100 Megohms min., initial
- * Switch is supplied with a lighted escutcheon plate:
 Input voltage: 18 to 140 VDC
 Wiring: As shown

Mechanical:

- * Sections: 2
- * Positions: 2, Spring Return to vertical (Off)
- * Indexing: 45°
- * Rotational Life: 65,000 operations

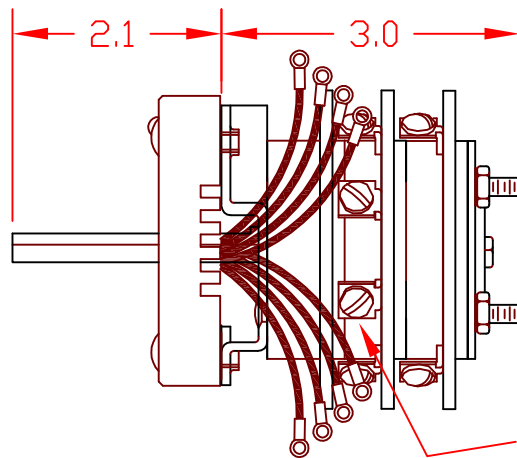
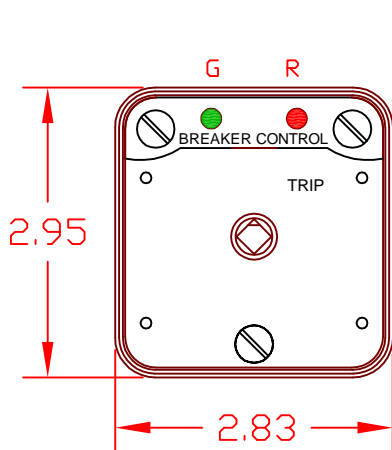
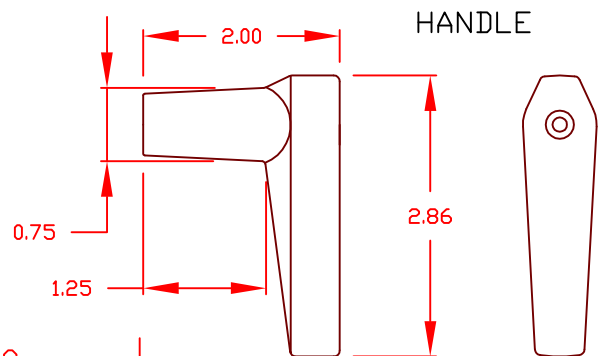
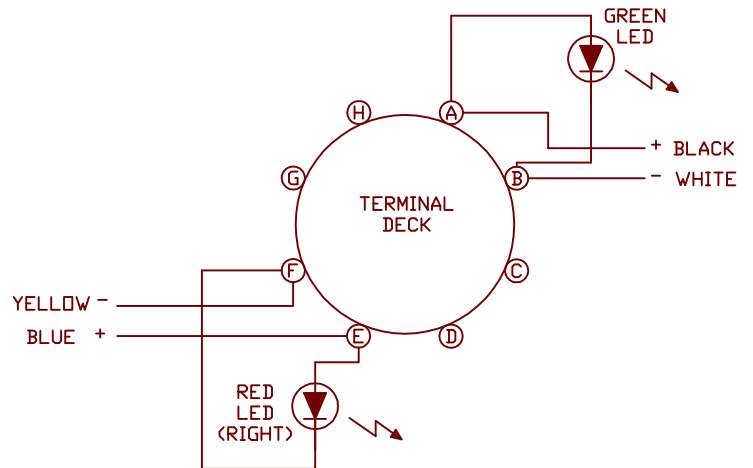
Materials and Finishes:

- * Rotors and Stators: Thermoset Plastic, UL 94VO
- * Rotor contacts: Phosphor bronze
- * Stator contacts: Silver plated copper, screw type
- * Terminal hardware: silver plated brass
- * Exterior Metal: Steel with zinc chromate finish
- * Knob: thermoset phenolic



**MOUNTING HOLE
 DETAIL**

	POSITION	
CONTACT	NORMAL	CLOSE
12 - 13		X
16 - 17		X



**TERMINAL
 DECK**

