

**SHALLCO SERIES 26**  
**Part Number: 2636D 125VDCACC**



308 COMPONENTS DRIVE  
 SMITHFIELD, NC 27577 USA

**General:**

Meets requirements for 1 - 25 ampere switching of resistive loads to .75 power factor at voltages to 600 VAC and 250 VDC resistive loads

**Electrical:**

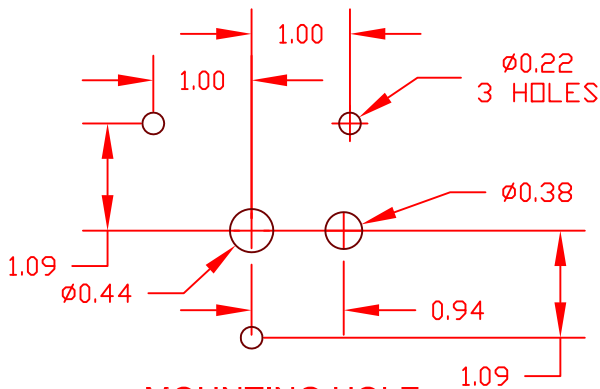
- \* Voltages: 250 V DC, 600 VAC
  - \* Current carrying capacity: 25 amperes
  - \* Dielectric Withstanding Voltage: 2200 Vrms
  - \* Contact Resistance: Initial, 10 milliohms max.
  - \* Insulation Resistance: 100 Megohms min., initial
- \* Switch is supplied with a lighted escutcheon plate:  
 Input voltage: 18 to 140 VDC  
 Wiring: As shown

**Mechanical:**

- \* Sections: 2
- \* Positions: 2, Spring Return to vertical (Off)
- \* Indexing: 45°
- \* Rotational Life: 65,000 operations

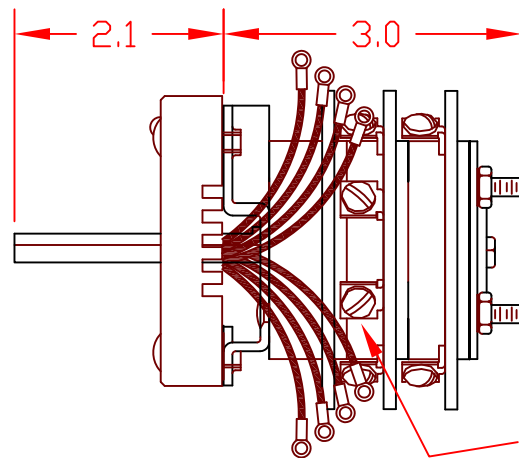
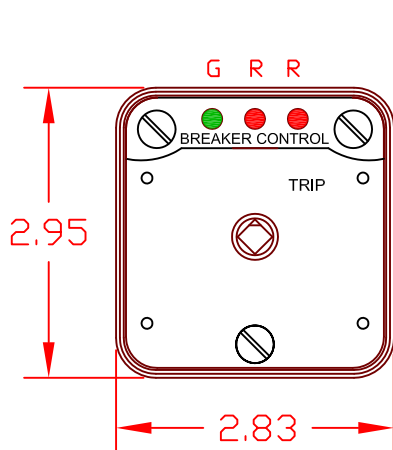
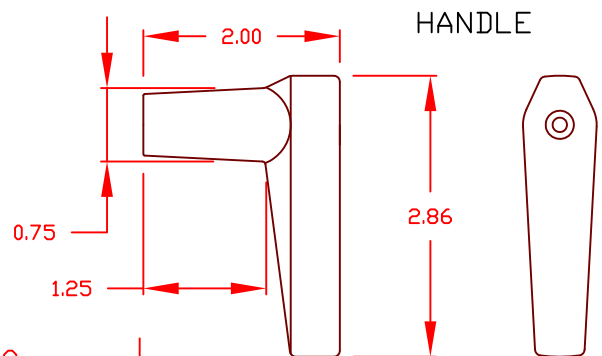
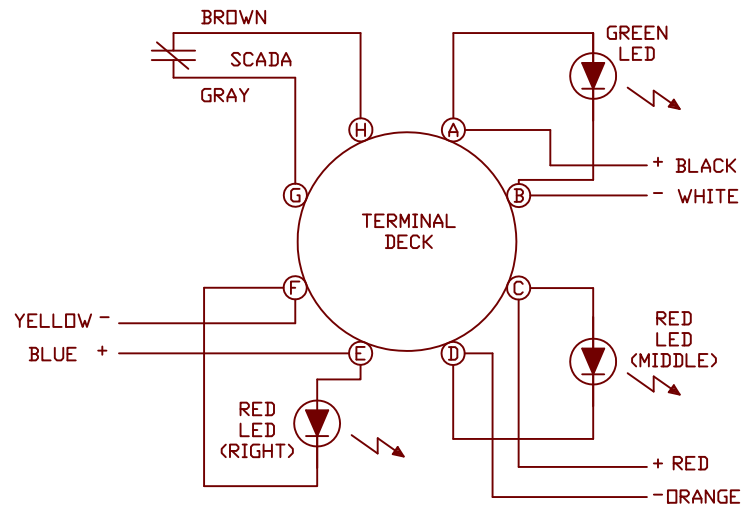
**Materials and Finishes:**

- \* Rotors and Stators: Thermoset Plastic, UL 94VO
- \* Rotor contacts: Phosphor bronze
- \* Stator contacts: Silver plated copper, screw type
- \* Terminal hardware: silver plated brass
- \* Exterior Metal: Steel with zinc chromate finish
- \* Knob: thermoset phenolic

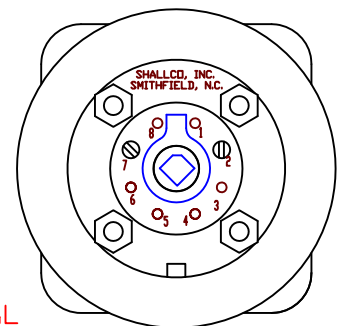


**MOUNTING HOLE  
 DETAIL**

	POSITION	
CONTACT	NORMAL	CLOSE
12 - 13		X
16 - 17		X



**TERMINAL  
 DECK**



308 COMPONENTS DRIVE  
 SMITHFIELD, NC 27577 USA

**2636D 125VDCACC**

REV. -