

SHALLCO SERIES 26
Part Number: 26204B



General:

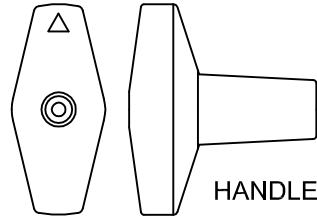
Meets requirements for 1 - 25 ampere switching of resistive loads to .75 power factor at voltages to 600 V AC and 250 V DC resistive loads

Electrical:

- * Ratings 25A/125 VAC
- 15A/600 VAC
- 20A/600 VAC (RES)
- 15A/600VAC
- 3A/125 VDC
- 1A/250 VDC



- * Current carrying capacity: 30 amperes
- * Dielectric Withstanding Voltage: 2200 Vrms
- * Contact Resistance: Initial, 10 milliohms max.
- * Insulation Resistance: 100 Megohms min., initial



CONTACT TABLE

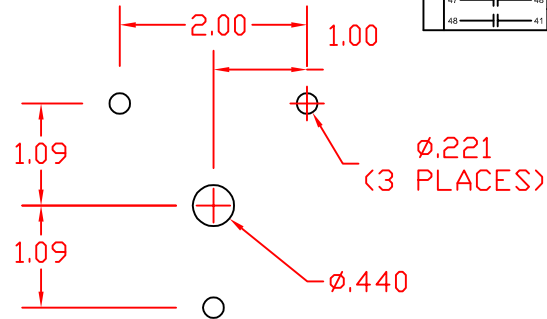
DECK	CONTACTS	POSITION							
		1	2	3	4	5	6	7	8
1	11	X				X			
	12	X				X			
	13	X		X				X	
	14	X			X				X
	15	X				X			
	16	X				X			
	17	X		X			X		
	18	X			X				X
2	21	X				X			
	22	X				X			
	23	X		X				X	
	24	X			X				X
	25	X				X			
	26	X				X			
	27	X		X			X		
	28	X			X				X
3	31	X				X			
	32	X				X			
	33	X		X				X	
	34	X			X				X
	35	X				X			
	36	X				X			
	37	X		X			X		
	38	X			X				X
4	41	X				X			
	42	X				X			
	43	X		X				X	
	44	X			X				X
	45	X				X			
	46	X				X			
	47	X		X			X		
	48	X			X				X

Mechanical:

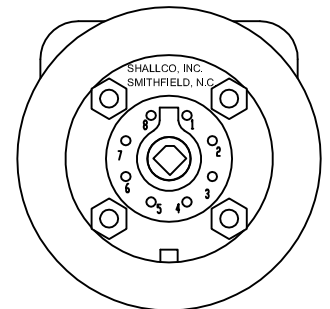
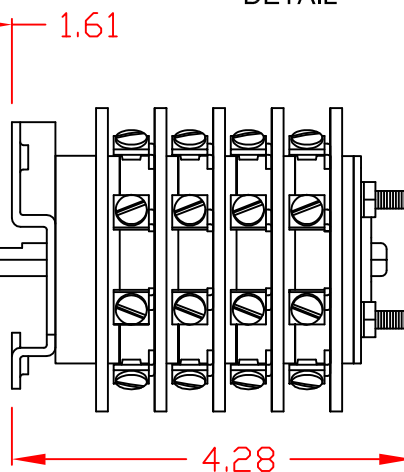
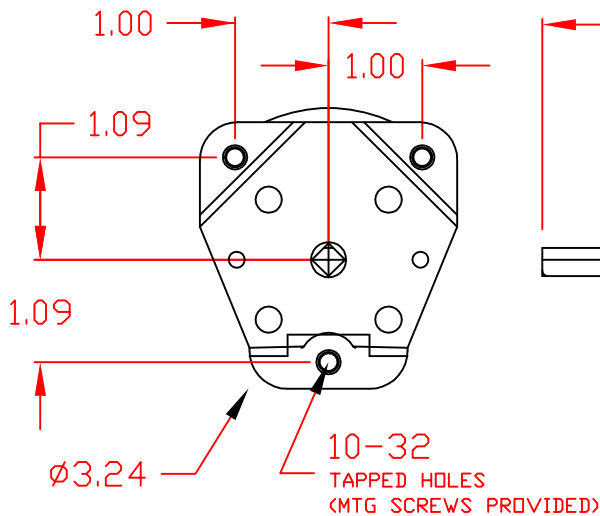
- * Sections: 4
- * Positions: Adjustable (See Truth Table and Operation)
- * Operation: Non-shorting
- * Indexing: 45°
- * Rotational Life: 65,000 operations
- * Handle: Oval

Materials and Finishes:

- * Rotors and Stators: Thermoset Plastic, UL 94VO
- * Rotor contacts: Phosphor bronze
- * Stator contacts: Silver plated copper, screw type
- * Terminal hardware: silver plated brass
- * Exterior Metal: Steel with zinc chromate finish



MOUNTING HOLE DETAIL



DESCRIPTION **26204B**



308 COMPONENTS DRIVE
 SMITHFIELD, NC 27577 USA

TERMINAL SCREW TIGHTENING TORQUE: 8 IN-LBS

REV. C