

# SHALLCO SERIES 26

Part Number: 2610C

AMMETER TRANSFER SWITCH  
3-phase, 3 Current Transformers



## General

Meets requirements for 1 - 25 ampere switching of resistive loads to .75 power factor at voltages to 600 V AC and 250 V DC resistive loads

## Electrical:

- Ratings:
- 25A/120 VAC
  - 15A/600 VAC
  - 20A/600 VAC (RESISTIVE)
  - 3A/125 VDC
  - 1A/250 VDC



- \* Current carrying capacity: 30 amperes
- \* Dielectric Withstanding Voltage: 2200 Vrms
- \* Contact Resistance: Initial, 10 milliohms max.

## Mechanical:

- \* Sections: 2
- \* Positions: 4 continuous, "Off" + 3"On"
- \* Deck 1 Nonshorting,  
Deck 2 Shorting (See Diagram)
- \* Indexing: 45° positive detent
- \* Rotational Life: 65,000 operations

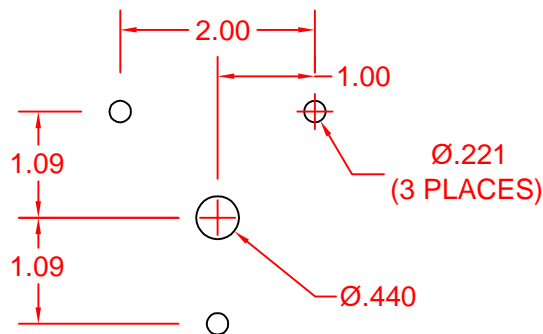
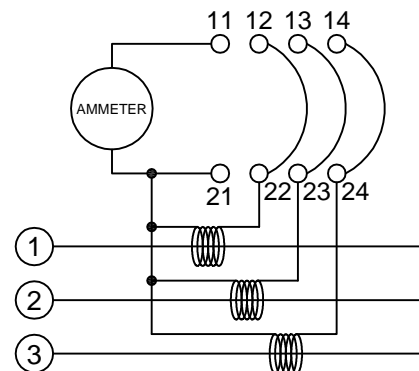
## Materials and Finishes:

- \* Rotors and Stators: Thermoset Plastic, UL 94VO
- \* Rotor contacts: Phosphor bronze
- \* Stator contacts: Silver plated copper, screw type
- \* Terminal hardware: silver plated brass
- \* Exterior Metal: Steel with zinc chromate finish
- \* Knob: thermoset phenolic

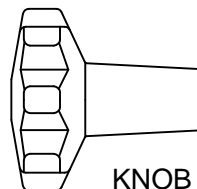
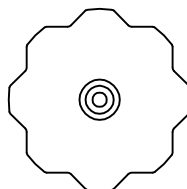
## CONTACT TABLE

DECK	CONTACTS	POSITION				
		OFF	* 1	* 2	* 3	
1	11		X	X	X	
	12	X				X
	13	X	X	X	X	
	14	X				X
2	21		X	X	X	
	22	X				X
	23	X	X	X	X	
	24	X				X

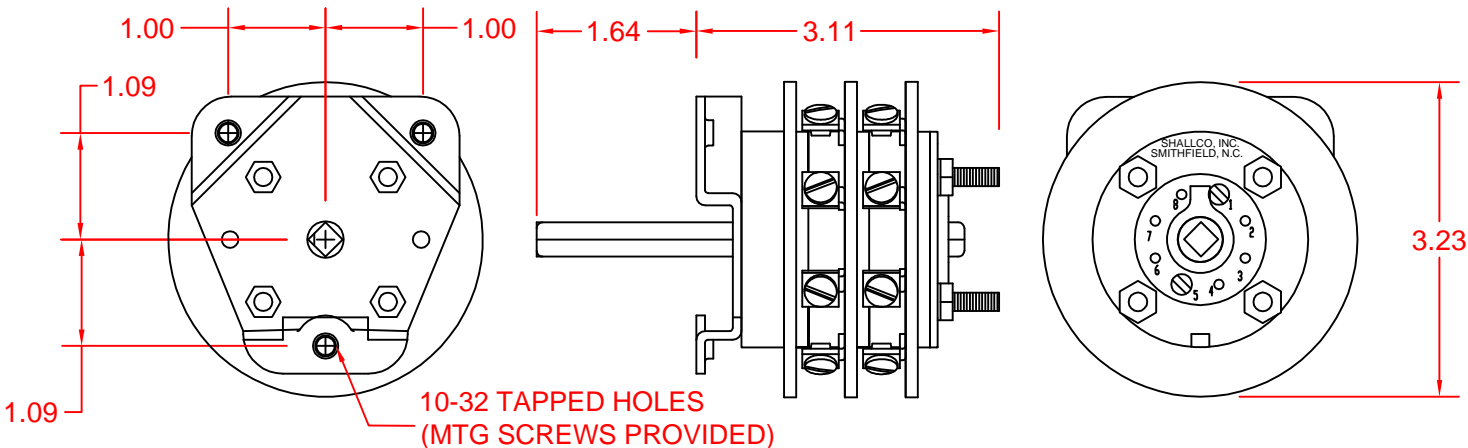
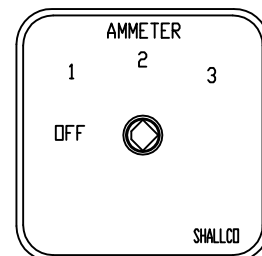
## WIRING DIAGRAM



MOUNTING HOLE  
DETAIL



KNOB



2610C



308 COMPONENTS DRIVE  
SMITHFIELD, NC 27577 USA