

SHALLCO SERIES 26
Part Number: 2609C
AMMETER TRANSFER SWITCH
 3-phase, 2 Current Transformers



308 COMPONENTS DRIVE
 SMITHFIELD, NC 27577 USA

General:

Meets requirements for 1 - 25 ampere switching of resistive loads to .75 power factor at voltages to 600 V AC and 250 V DC resistive loads

Electrical:

* Ratings:

- 25 A / 120 VAC
- 3 A / 125 VDC
- 15 A / 600 VAC
- 1 A / 250 VDC
- 20 A / 600 VAC (RES)



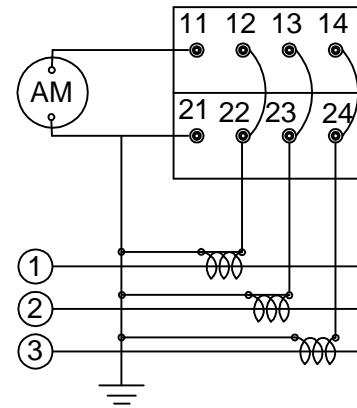
- * Dielectric Withstanding Voltage: 2200 Vrms
- * Contact Resistance: Initial, 10 milliohms max.
- * Insulation Resistance: 100 Megohms min., initial

Mechanical:

- * Sections: 6
- * Positions: 5 See Schematic Diagram
- * Indexing: 45°
- * Rotational Life: 65,000 operations

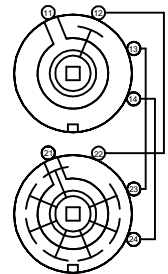
Materials and Finishes:

- * Rotors and Stators: Thermoset Plastic, UL 94VO
- * Rotor contacts: Phosphor bronze
- * Stator contacts: Silver plated copper, screw type
- * Terminal hardware: silver plated brass
- * Exterior Metal: Steel with zinc chromate finish
- * Knob: thermoset phenolic

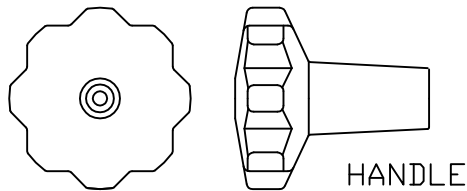


CONTACT TABLE/ STATOR DIAGRAMS
 SHOWN IN THE NO. 1 POSITION

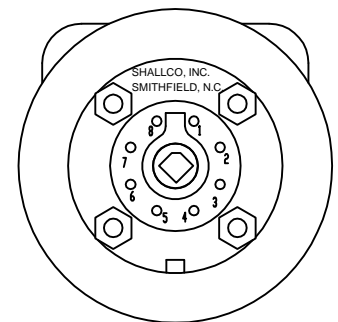
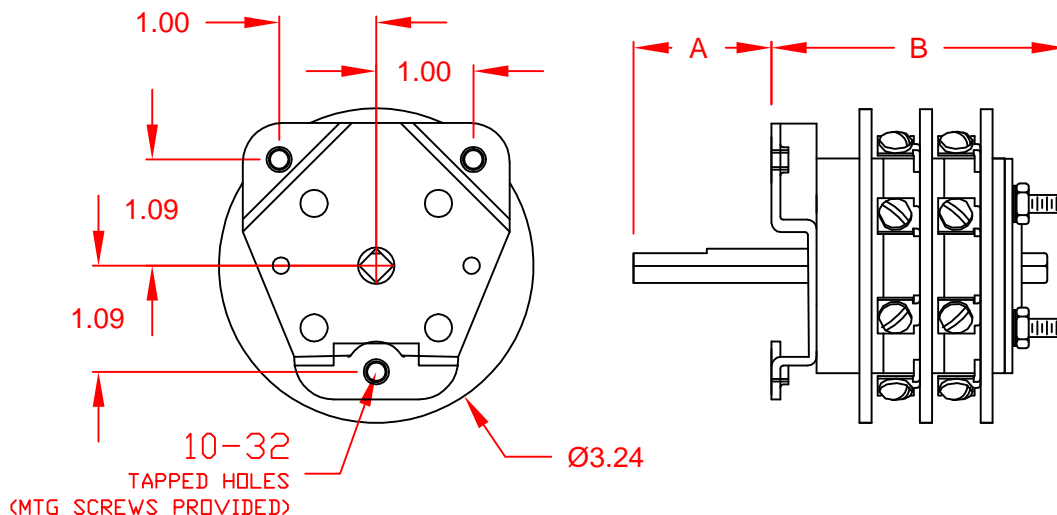
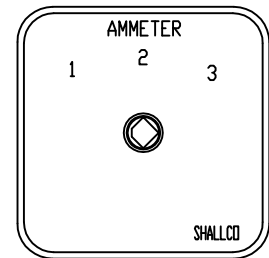
DECK	CONTACTS	POSITIONS		
		1 *	2 *	3
1	11-O			
	I-O12	X	X	
	I-O13	X	X	X
2	I-O14			X
	I-O22	X	X	X
	I-O23	X	X	X
	I-O24	X	X	X



* denotes make-before-break



FACE PLATE



2609C

HANDLE TYPE: ROUND, KNURLED
 "A" DIM: 1.6
 "B" DIM: 2.78



308 COMPONENTS DRIVE
 SMITHFIELD, NC 27577 USA

REV A