

SHALLCO SERIES 16 SWITCH



PART NO: 16A4-B-1-A

NO. OF SECTIONS: 4
 INDEXING: 45°
 CIRCUIT: A (SEE CONTACT TABLE)

ELECTRICAL RATINGS:

- 15 A @ 125 VAC
- 5 A @ 250 VAC
- 3 A @ 600 VAC
- 5 A @ 30 VDC
- 1 A @ 125 VDC

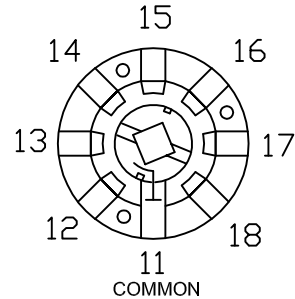


DIELECTRIC WITHSTANDING VOLTAGE: 1500 VRMS
 CONTACT RESISTANCE: 10 MILLIOHMS MAX. INITIAL
 INSULATION RESISTANCE: 1000 MEGHOHMS, INITIAL
 TYPE ACTION: NONSHORTING
 DETENT: STANDARD
 STOPS INSTALLED: NO
 TERMINALS: SCREW TYPE, HARDWARE SUPPLIED
 PHENOLIC POINTER KNOB: SUPPLIED
 MOUNTING HARDWARE: SUPPLIED

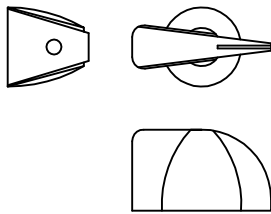
SCHEMATIC DIAGRAM

CIRCUIT "A"

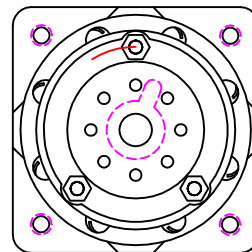
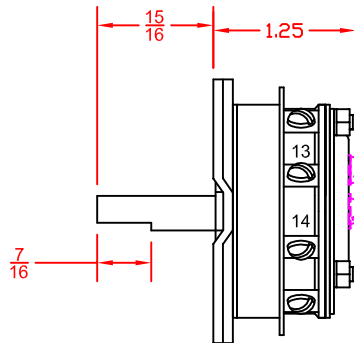
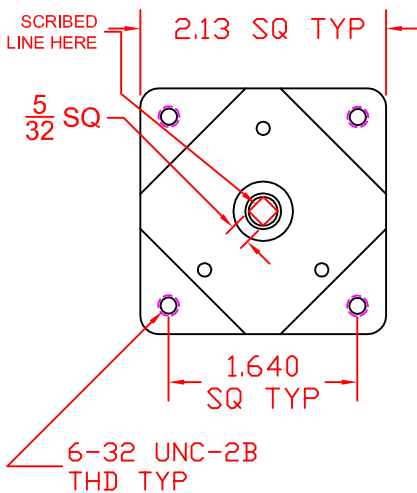
COMMON LOCATED AT TERMINAL 11



DECK	CONTACTS	POSITION																
		1	2	3	4	5	6	7	8									
1	11																	
	12		X															
	13			X														
	14				X													
	15					X												
	16						X											
	17							X										
	18								X									



SUPPLIED WITH
 POINTER KNOB



DESCRIPTION

16A4-B-4-A



308 COMPONENTS DRIVE
 SMITHFIELD, NC 27577 USA