

SHALLCO SERIES 26

Part Number: 2644D



General:

Meets requirements for 1 - 25 ampere switching of resistive loads to .75 power factor at voltages to 600 V AC and 250 V DC resistive loads

Electrical:

* Ratings

- 25A/120VAC
- 15A/600 VAC
- 20A/600 VAC (RES)
- 3A/125 VDC
- 1A/250 VDC



- * Current carrying capacity: 25 amperes
- * Dielectric Withstanding Voltage: 2200 Vrms
- * Contact Resistance: Initial, 10 milliohms max.
- * Insulation Resistance: 100 Megohms min., initial

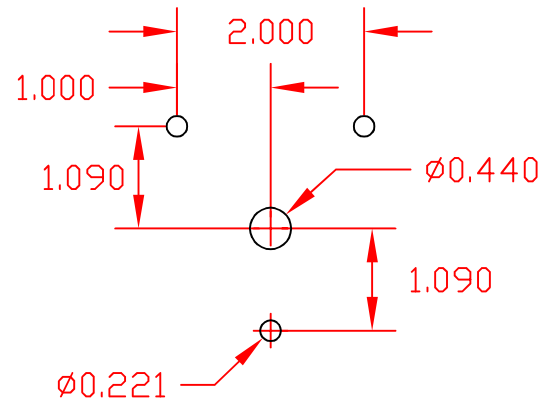
Mechanical:

- * Sections: 2 active
- * Positions: 2 Shaft will spring return to the center (rest) positions (See Truth Table and Operation)
- * Operation: Non-shorting
 Detent Type: Sections 1 & 2 - Spring Return
 Detent Type: Section 3 - Slip Detent
- * Indexing: 45°
- * Rotational Life: 65,000 operations

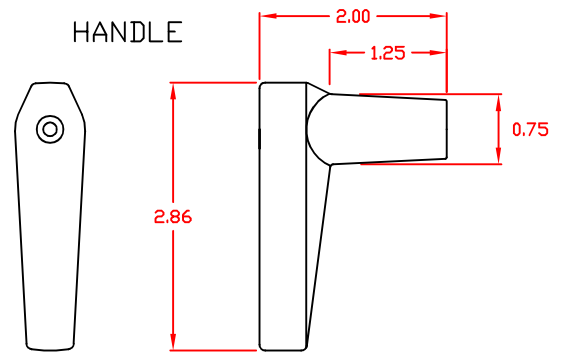
Materials and Finishes:

- * Rotors and Stators: Thermoset Plastic, UL 94VO
- * Rotor contacts: Phosphor bronze
- * Stator contacts: Silver plated copper, screw type
- * Terminal hardware: silver plated brass
- * Exterior Metal: Steel with zinc chromate finish
- * Knob: thermoset phenolic

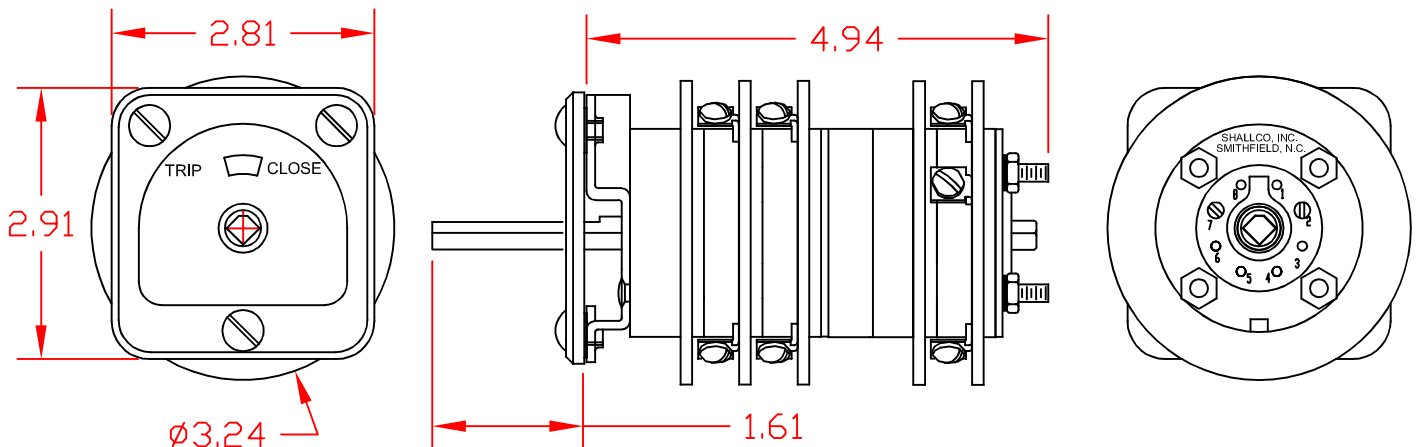
MOUNTING HOLE DETAIL



HANDLE



DECK	CONTACTS	POS.			
		TRIP	nat	nac	CLOSE
1	11O-II-I-O18	X			
	16O-II-I-O17				X
2	21O-II-I-O22		X	X	
	25O-II-I-O26		X	X	
3	32O-II-I-O33			X	X
	36O-II-I-O37			X	X



308 COMPONENTS DRIVE
SMITHFIELD, NC 27577 USA

2644D

REV.B