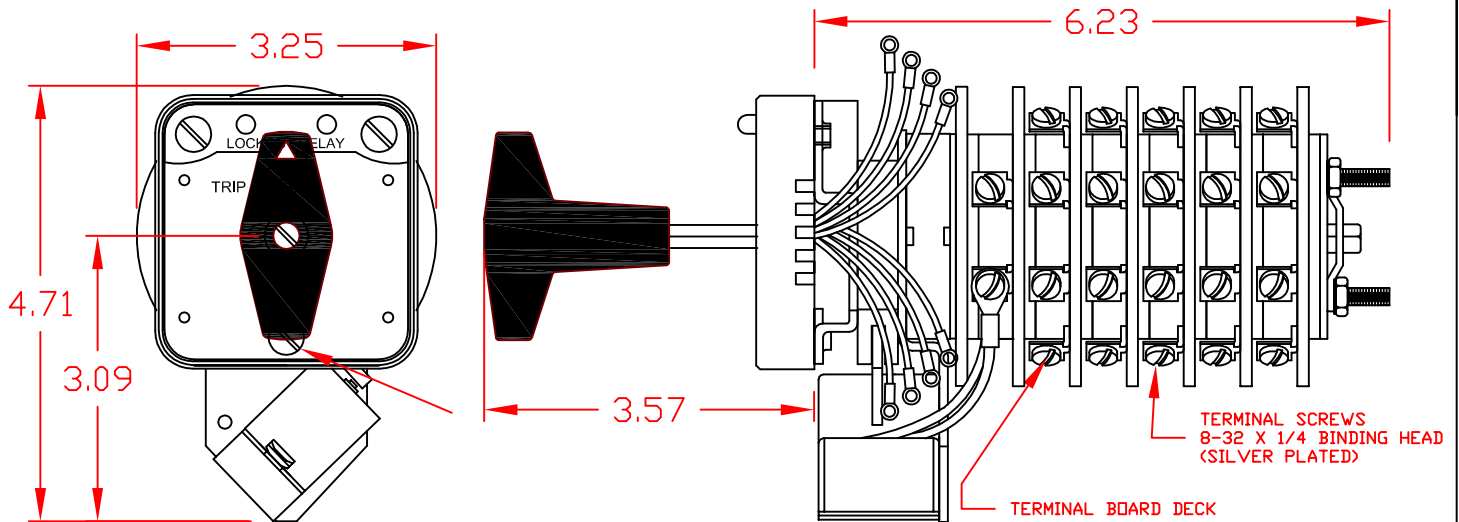


7604D 125VDC AXC



SPECIFICATIONS:

NO. OF POSITIONS: 2, TRIP AND RESET

NO. OF SECTIONS: 4

CONTACTS: 2 NORMALLY OPEN
2 NORMALLY CLOSED
PER DECK

ACTION: 45° POSITIVE TRIP DETENT

STATIONARY CONTACTS : SILVER OVER COPPER

NAMEPLATE: AS SHOWN

COIL SPECIFICATIONS:

OPERATING VOLTAGE: 125 VDC / 120 VAC

THRESHOLD VOLTAGE: 16 VDC / 20 VAC

OPERATING RANGE: 30 - 140 VDC / 30 - 140 VAC

CURRENT AT RATED VOLTAGE: 4.6 / 4.4 AMPS



ELECTRICAL RATINGS:

25 A/120 VAC 3 A/ 125 VDC

15 A/600 VAC 1 A/ 250 VDC

20 A/600 VAC (RESISTIVE)

OVERLOAD CURRENT (50 OPERATIONS):

95 A/120 VAC

65 A/240 VAC

35 A/600 VAC

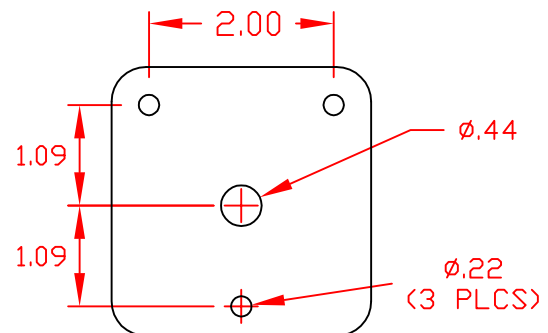
DIELECTRIC STRENGTH: 2200 VRMS

INSULATION RESISTANCE: 100 MEGOHMS INITIAL

CONTACT RESISTANCE: 10 MILLIOHMS MAX. INITIAL

DECK	CONTACTS	POSITION	
		TRIP	RESET
1	11 — — — 13		
	12 — — — 18	X	X
	15 — — — 17	X	X
	16 — — — 14	X	X
2	21 — — — 23		
	22 — — — 28	X	X
	25 — — — 27	X	X
3	26 — — — 24	X	X
	31 — — — 33		
	32 — — — 38	X	X
	35 — — — 37	X	X
4	36 — — — 34	X	X
	41 — — — 43		
	42 — — — 48	X	X
	45 — — — 47	X	X
	46 — — — 44	X	X

NAMEPLATE AND PANEL DRILLING DIMENSIONS



DESCRIPTION

7604D 125VDCAXC

REV. A

CUSTOMER REFERENCE:: TERMINAL SCREW TIGHTENING TORQUE: : 8 IN-LBS.



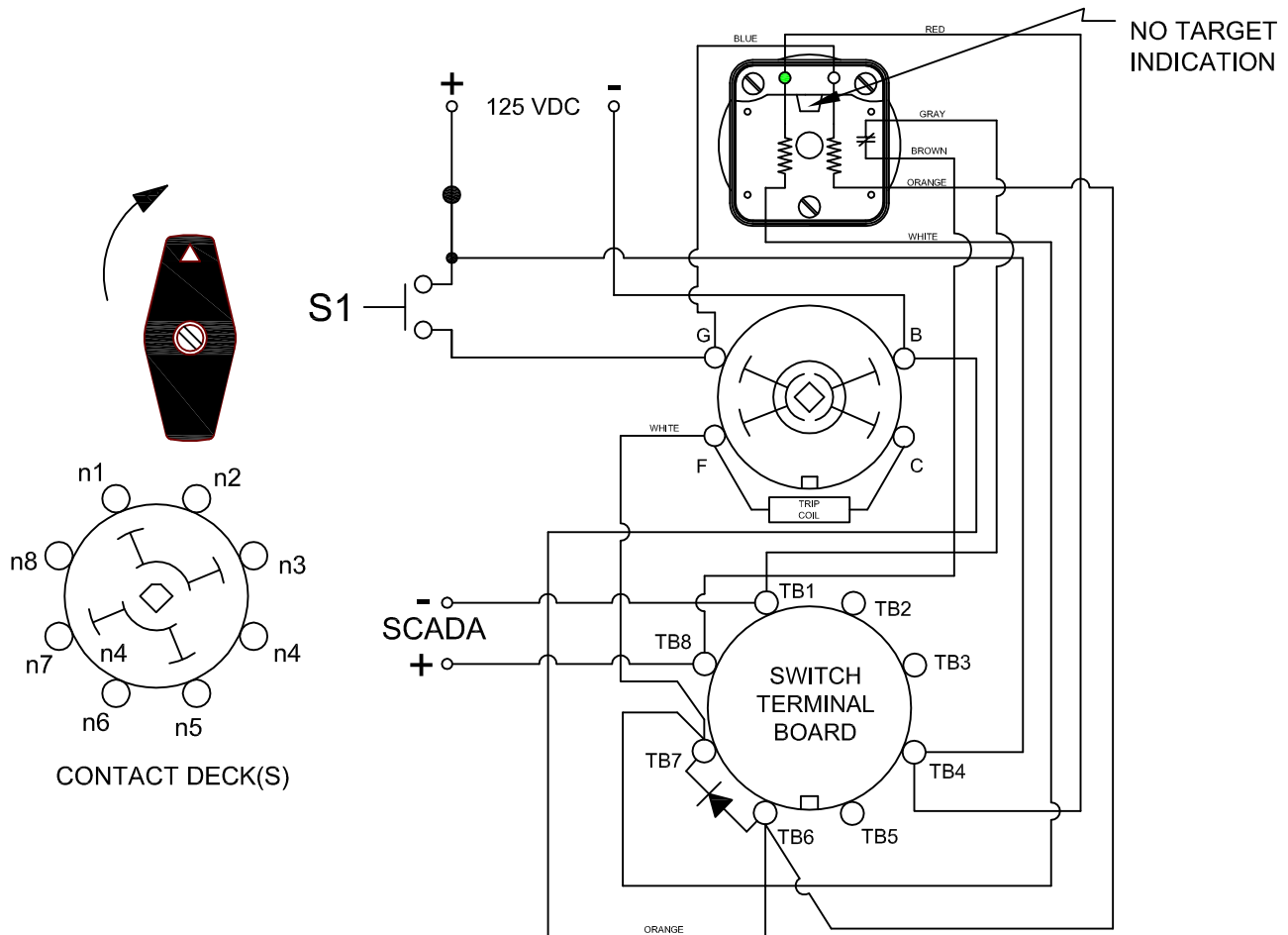
308 COMPONENTS DRIVE
SMITHFIELD, NC 27577 USA

LOCK-OUT RELAYS (LOR)

GENERAL OPERATION:

THE HANDLE OF THE LOR MUST BE MANUALLY ROTATED CLOCKWISE TO PLACE THE UNIT IN THE "RESET" POSITION (SEE FIGURE A)

FIGURE A - RESET POSITION



DESCRIPTION

7604D 125VDCAXC

REV. A

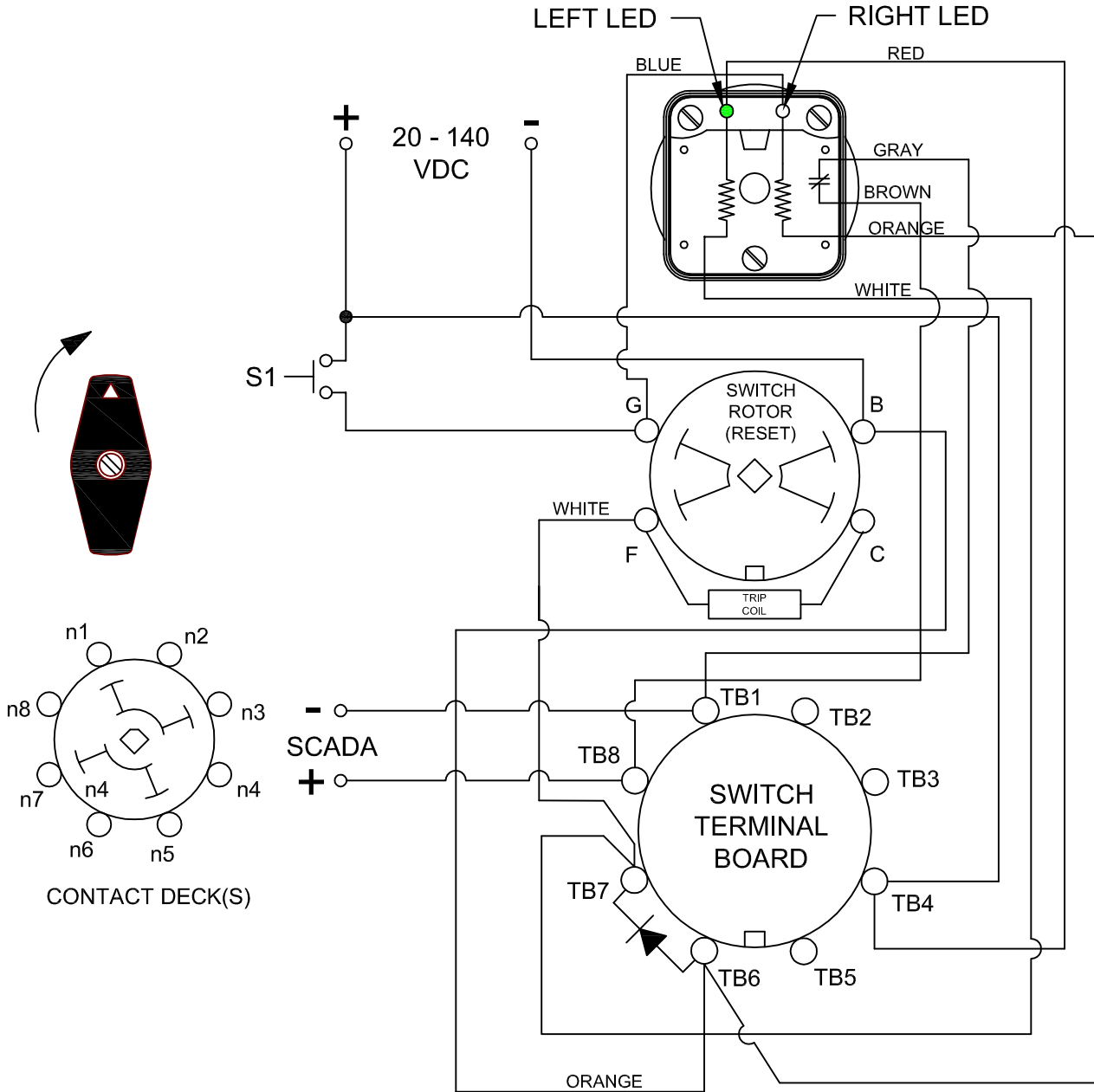
7604D 125VDC AXC



LED INDICATION

CONDITION #1	
ROTOR	RESET (AS SHOWN)
SWITCH 1 (S1)	OPEN

RESULT	
LEFT LED	ON
RIGHT LED	OFF
SCADA CIRCUIT (TRIP COIL MONITOR)	OPEN



DESCRIPTION

7604D 125VDCAXC

REV. A



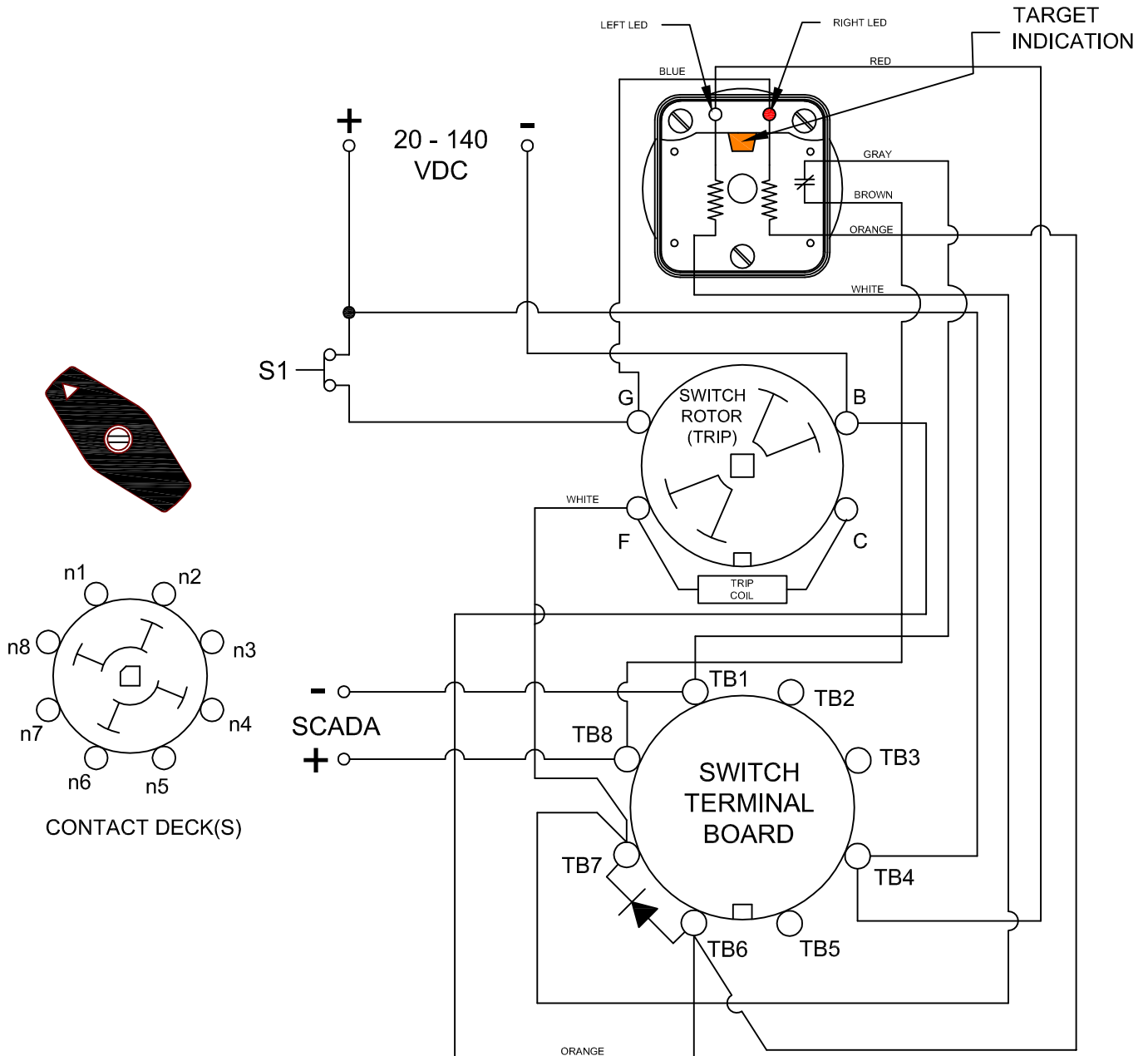
308 COMPONENTS DRIVE
SMITHFIELD, NC 27577 USA

LED INDICATION

CONDITION #2	
ROTOR	RESET (AS SHOWN)
SWITCH 1 (S1)	CLOSED

RESULT	
LEFT LED	OFF
RIGHT LED	ON
SCADA SWITCH	CLOSED

WHEN S1 CLOSSES, THE COIL CAUSES A MECHANICAL ROTATION OF THE RELAY RESULTING IN THE SWITCH ROTOR ADVANCE TO THE "TRIP" POSITION SHOWN



DESCRIPTION

7604D 125VDC AXC

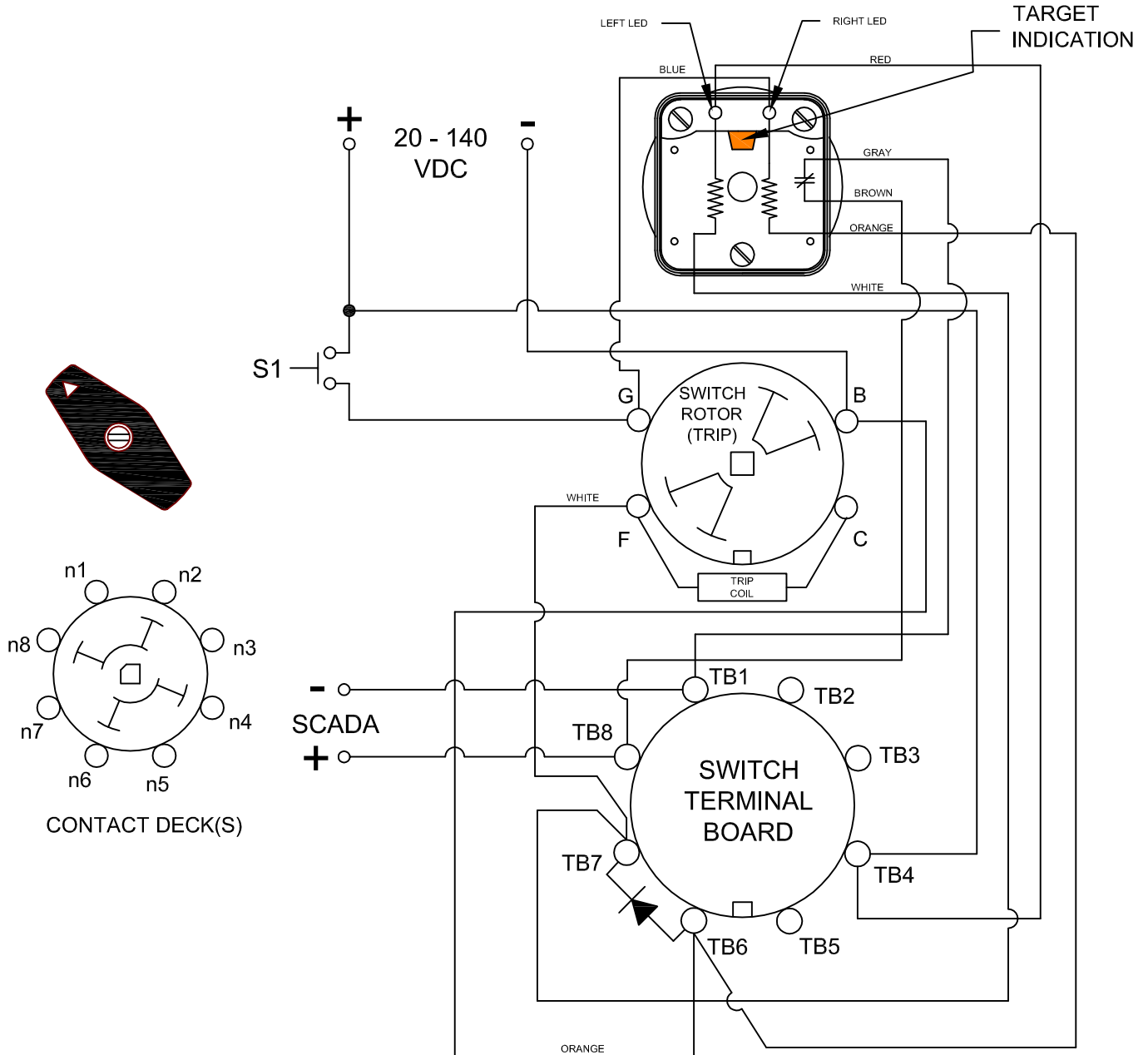
REV. A

LED INDICATION

CONDITION #2	
ROTOR	RESET (AS SHOWN)
SWITCH 1 (S1)	OPEN

RESULT	
LEFT LED	OFF
RIGHT LED	OFF
SCADA SWITCH	CLOSED

WHEN S1 REOPENS, THE RIGHT LED WILL GO OFF, THE TRIP COIL MONITOR (SCADA) CIRCUIT WILL REMAIN CLOSED UNTIL THE LOR IS ROTATED BACK TO THE RESET POSITION



DESCRIPTION
7604D 125VDC AXC REV. A