

# SHALLCO SERIES 26



## Part Number: 26102D

### General:

Meets requirements for 1 - 25 ampere switching of resistive loads to .75 power factor at voltages to 600 V AC and 250 VDC resistive loads

### Electrical:

- \* Ratings:
- 25A/120 VAC
- 15A/600 VAC
- 20A/600 VAC (RESISTIVE)
- 3A/125 VDC
- 1A/250 VDC



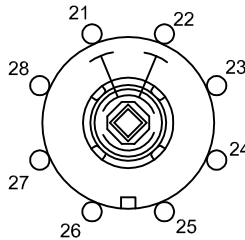
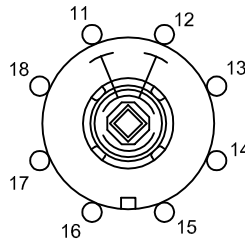
- \* Current carrying capacity: 30 amperes
- \* Dielectric Withstanding Voltage: 2200 Vrms
- \* Contact Resistance: Initial, 10 milliohms max.
- \* Insulation Resistance: 100 Megohms min., initial

### Mechanical:

- \* Sections: 2
- \* Positions: 8 (Adjustable)
- \* Circuit: See contact table
- \* Nonshorting Operation
- \* Indexing: 45° positive detent
- \* Rotational Life: 65,000 operations

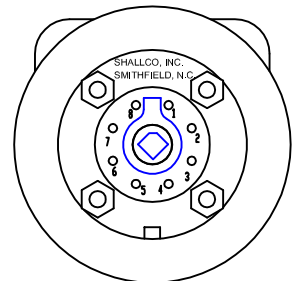
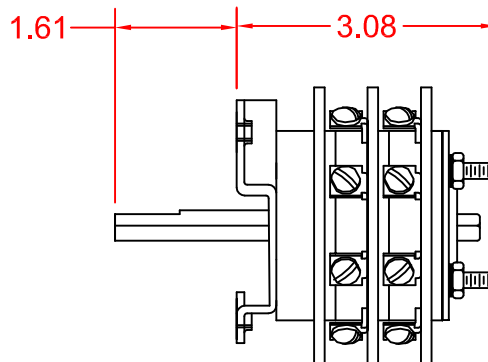
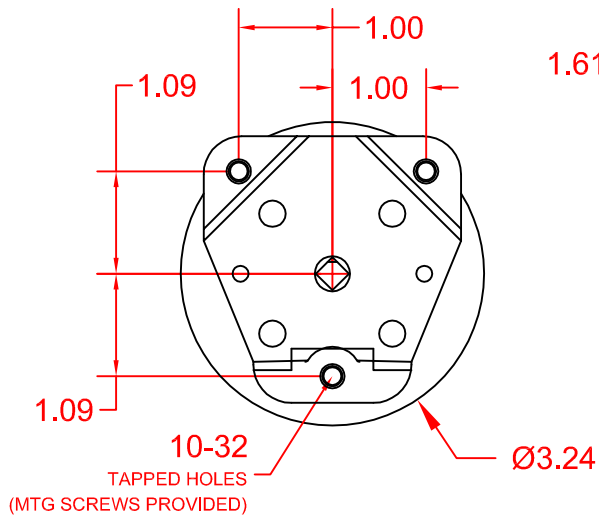
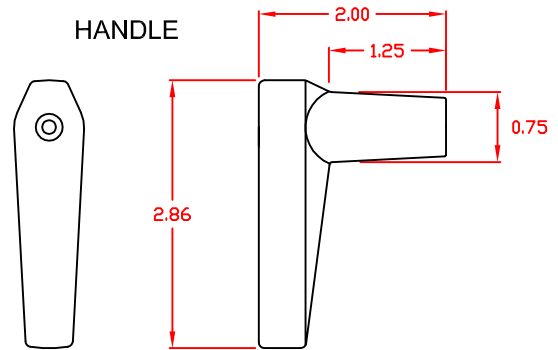
### Materials and Finishes:

- \* Rotors and Stators: Thermoset Plastic, UL 94VO
- \* Rotor contacts: Phosphor bronze
- \* Stator contacts: Silver plated copper, screw type
- \* Terminal hardware: silver plated brass
- \* Exterior Metal: Steel with zinc chromate finish
- \* Knob: thermoset phenolic



CONTACT TABLE

DECK	CONTACTS	POSITION							
		1	2	3	4	5	6	7	8
1	11	X							
	12		X						
	13			X					
	14				X				
	15					X			
	16						X		
	17							X	
	18								X
2	21	X							
	22		X						
	23			X					
	24				X				
	25					X			
	26						X		
	27							X	
	28								X



26102D



308 COMPONENTS DRIVE  
SMITHFIELD, NC 27577 USA