

SPECIFICATIONS:

NO. OF POSITIONS: 2, TRIP AND RESET

NO. OF SECTIONS: 6

CONTACTS: 2 NORMALLY OPEN
2 NORMALLY CLOSED
PER DECK

ACTION: 45° POSITIVE TRIP DETENT

STATIONARY CONTACTS : SILVER OVER COPPER

NAMEPLATE: AS SHOWN

COIL SPECIFICATIONS:

OPERATING VOLTAGE: 125 VDC / 120 VAC

THRESHOLD VOLTAGE: 16 VDC / 20 VAC

OPERATING RANGE: 30 - 140 VDC / 30 - 140 VAC

CURRENT AT RATED VOLTAGE: 4.6 / 4.4 AMPS

ELECTRICAL RATINGS:

25A/120 VAC 15A/600 VAC

20A/600 VAC (RESISTIVE)

3A/125 VDC 1A/250 VDC



DECK	CONTACTS	POSITION	
		TRIP	RESET
1	11 — — 13		
	12 — — 18		
	15 — — 17		
	16 — — 14		
2	21 — — 23		
	22 — — 28		
	25 — — 27		
	26 — — 24		
3	31 — — 33		
	32 — — 38		
	35 — — 37		
	36 — — 34		
4	41 — — 43		
	42 — — 48		
	45 — — 47		
	46 — — 44		
5	51 — — 53		
	52 — — 58		
	55 — — 57		
	56 — — 54		

OVERLOAD CURRENT

(50 OPERATIONS):

95 A/120 VAC

65 A/240 VAC

35 A/600 VAC

DIELECTRIC STRENGTH:

2200 VRMS

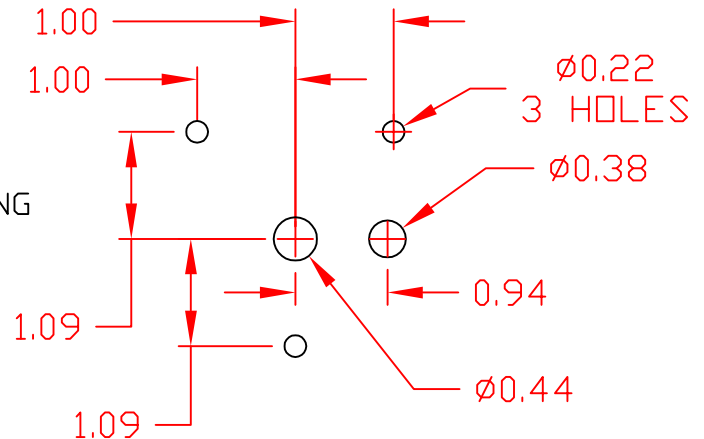
INSULATION RESISTANCE:

100 MEGOHMS INITIAL

CONTACT RESISTANCE:

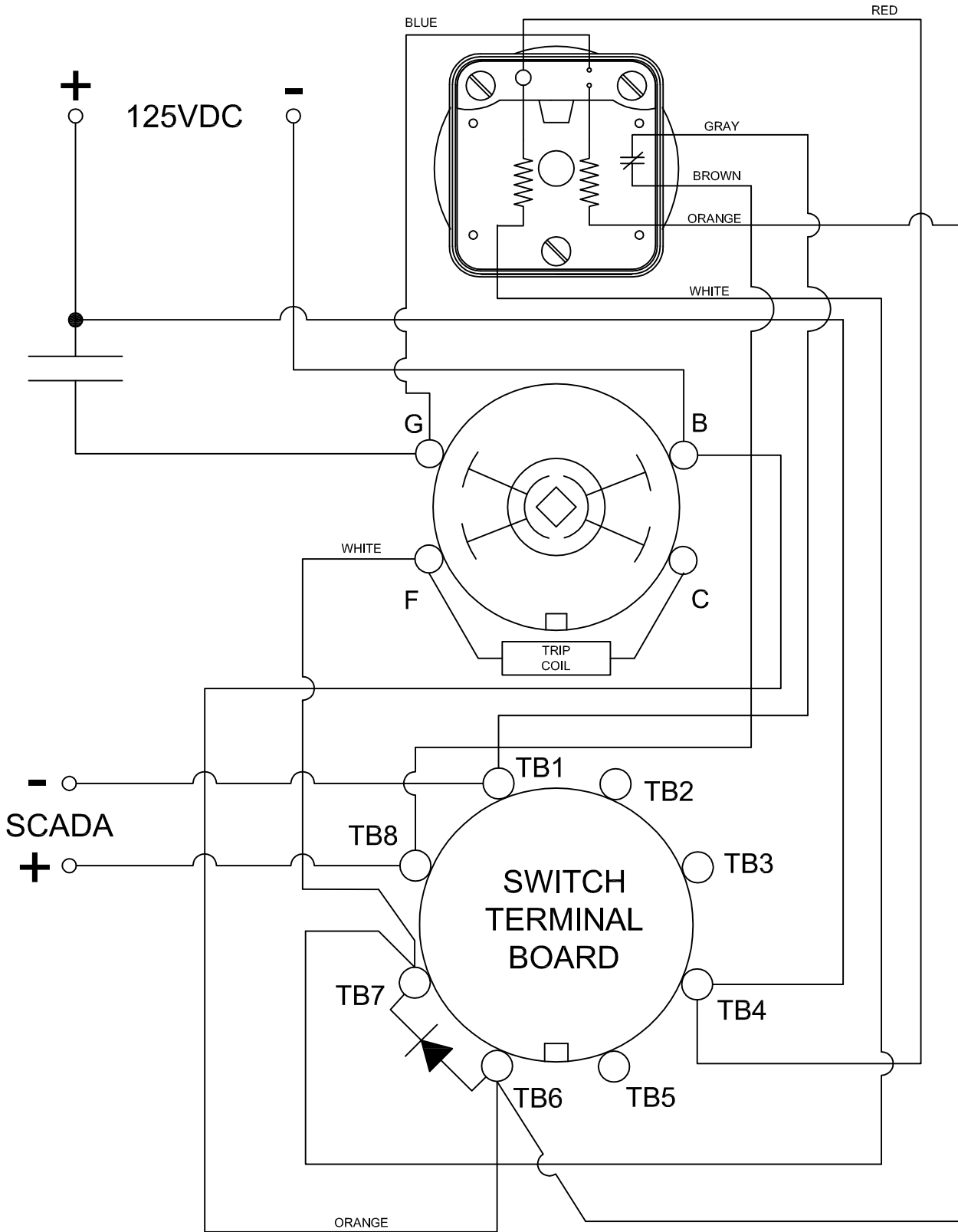
10 MILLIOHMS MAX. INITIAL

PANEL DRILLING



PART NUMBER

7606D 125VDCDXX



PART NUMBER

7606D 125VDCDXX

LOCK-OUT RELAYS (LOR)

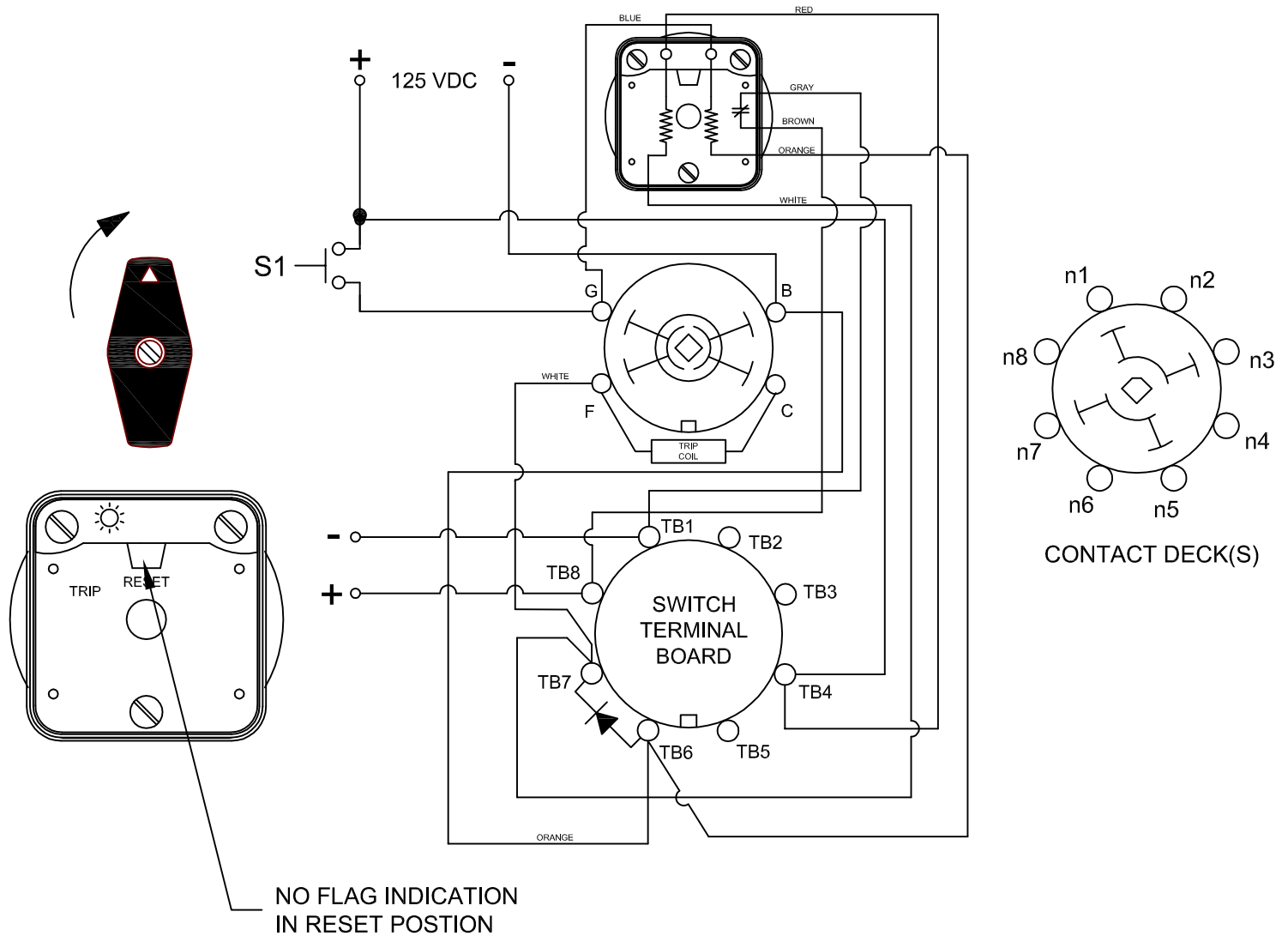
GENERAL OPERATION:

THE HANDLE OF THE LOR MUST BE MANUALLY ROTATED CLOCKWISE TO PLACE THE UNIT IN THE "RESET" POSITION (SEE FIGURE A)

CONDITION #1	
ROTOR	RESET (AS SHOWN)
SWITCH 1 (S1)	OPEN

RESULT	
LEFT LED	ON
SCADA CIRCUIT TRIP COIL MONITOR)	OPEN

FIGURE A - RESET POSITION



PART NUMBER

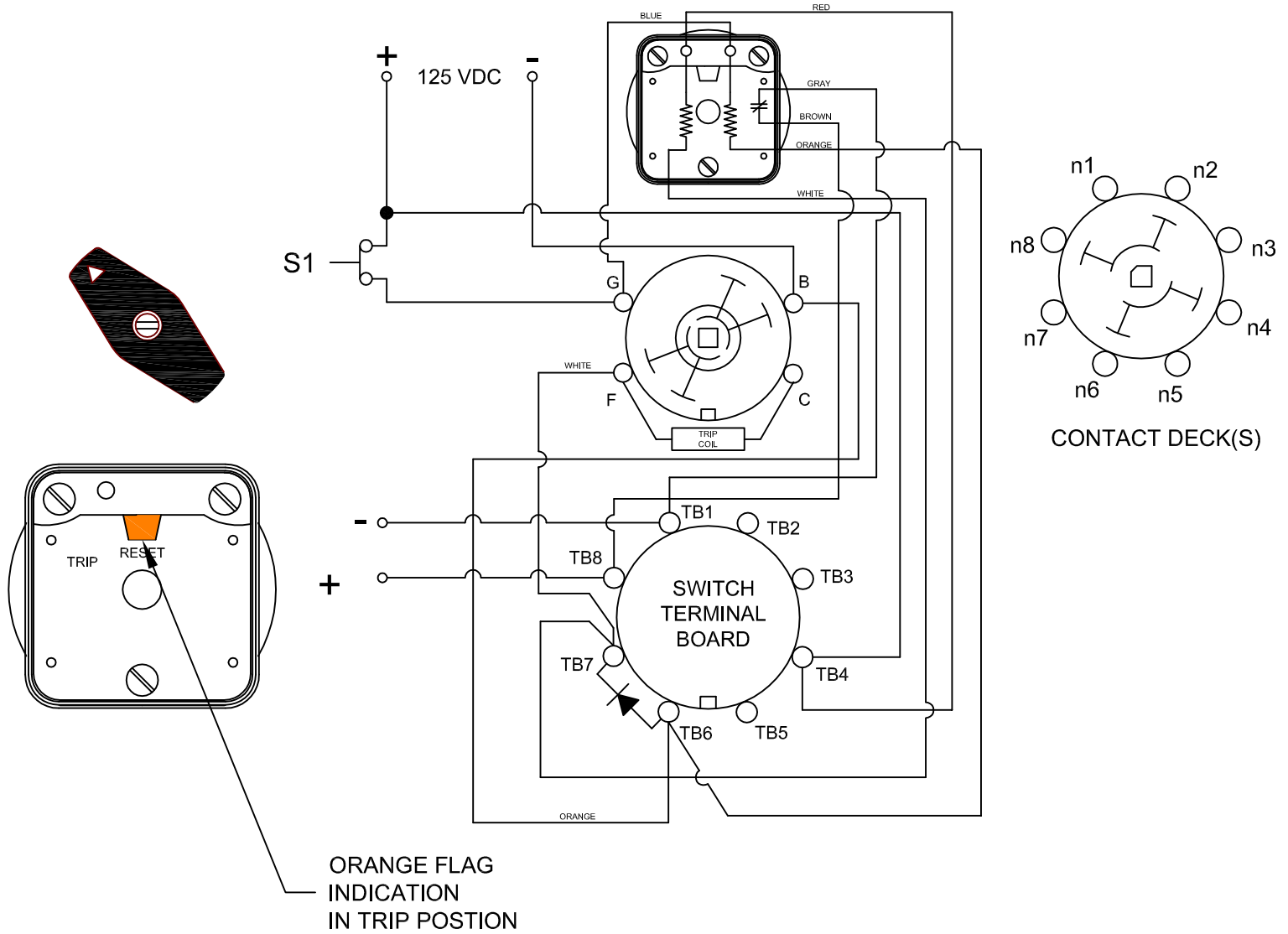
7606D 125VDCDXX

CONDITION #2	
ROTOR	TRIP (AS SHOWN)
SWITCH 1 (S1)	CLOSED

RESULT	
LEFT LED	OFF
SCADA SWITCH	CLOSED

WHEN S1 CLOSES, THE COIL CAUSES A MECHANICAL ROTATION OF THE RELAY RESULTING IN THE SWITCH ROTOR ADVANCE TO THE "TRIP" POSITION SHOWN

FIGURE B - TRIP POSITION



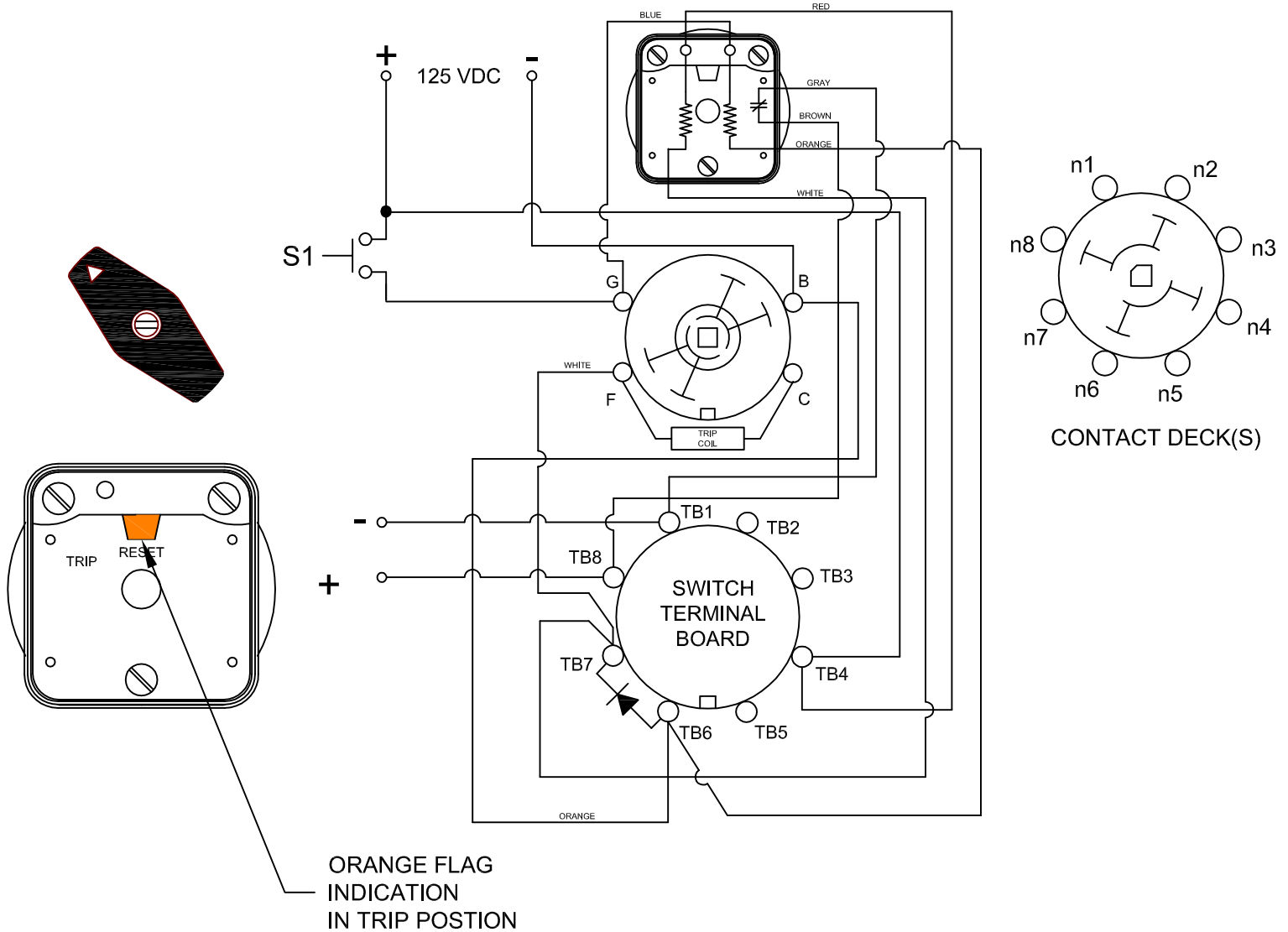
PART NUMBER

7606D 125VDCDXX

CONDITION #2		RESULT	
ROTOR	TRIP (AS SHOWN)	LEFT LED	OFF
SWITCH 1 (S1)	OPEN	SCADA SWITCH	CLOSED

WHEN S1 OPENS, THE RELAY REMAINS TRIPPED, THE LEFT LED REMAINS OFF AND THE SCADA CIRCUIT REMAINS CLOSED UNTIL THE SHAFT IS ROTATED BACK INTO THE "RESET" POSITION.

FIGURE B - TRIP POSITION



PART NUMBER

7606D 125VDCDXX