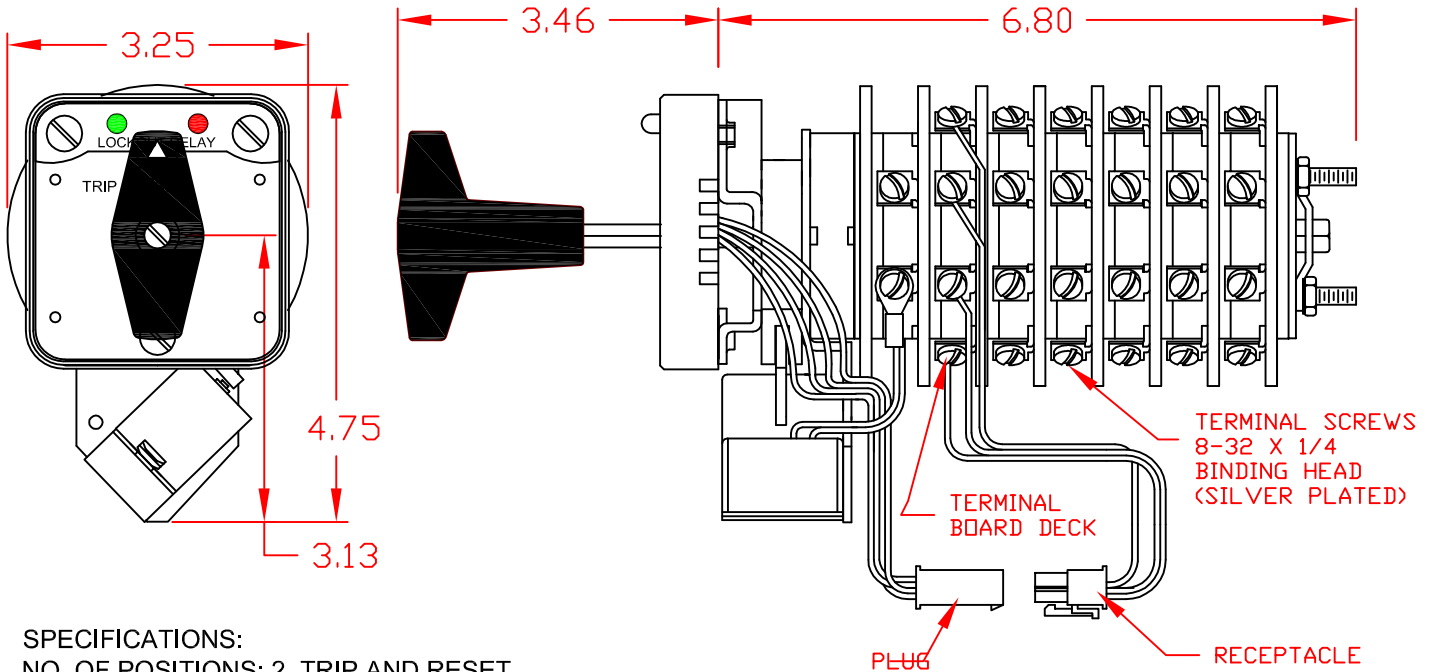


7605D 125VDCCXAWP



SPECIFICATIONS:

NO. OF POSITIONS: 2, TRIP AND RESET

NO. OF SECTIONS: 5

CONTACTS: 2 NORMALLY OPEN
2 NORMALLY CLOSED
PER DECK

ACTION: 45° POSITIVE TRIP DETENT

STATIONARY CONTACTS : SILVER OVER COPPER

NAMEPLATE: AS SHOWN

COIL SPECIFICATIONS:

OPERATING VOLTAGE: 125 VDC / 120 VAC

THRESHOLD VOLTAGE: 16 VDC / 20 VAC

OPERATING RANGE: 30 - 140 VDC / 30 - 140 VAC

CURRENT AT RATED VOLTAGE: 4.6 / 4.4 AMPS

ELECTRICAL RATINGS:

25 A/120 VAC 3 A/ 125 VDC

15 A/600 VAC 1 A/ 250 VDC

20 A/600 VAC (RESISTIVE)



OVERLOAD CURRENT (50 OPERATIONS):

95 A/120 VAC

65 A/240 VAC

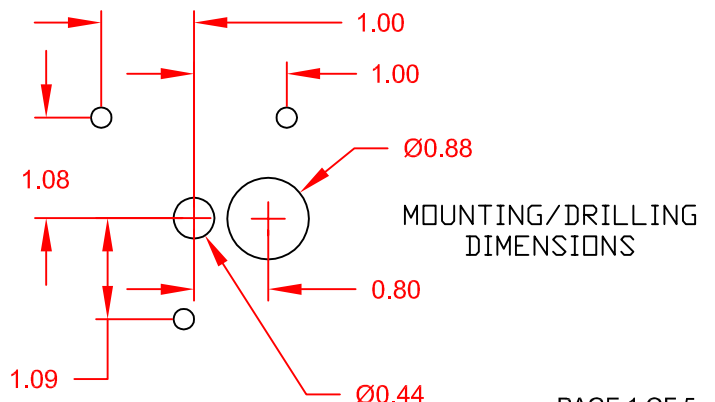
35 A/600 VAC

DIELECTRIC STRENGTH: 2200 VRMS

INSULATION RESISTANCE: 100 MEGOHMS INITIAL

CONTACT RESISTANCE: 10 MILLIOHMS MAX. INITIAL

DECK	CONTACTS	POSITION	
		TRIP	RESET
1	11 — — 13		X
	12 — — 18	X	
	15 — — 17		X
	16 — — 14	X	
2	21 — — 23		X
	22 — — 28	X	
	25 — — 27		X
	26 — — 24	X	
3	31 — — 33		X
	32 — — 38	X	
	35 — — 37		X
	36 — — 34	X	
4	41 — — 43		X
	42 — — 48	X	
	45 — — 47		X
	46 — — 44	X	
5	51 — — 53		X
	52 — — 58	X	
	55 — — 57		X
	56 — — 54	X	

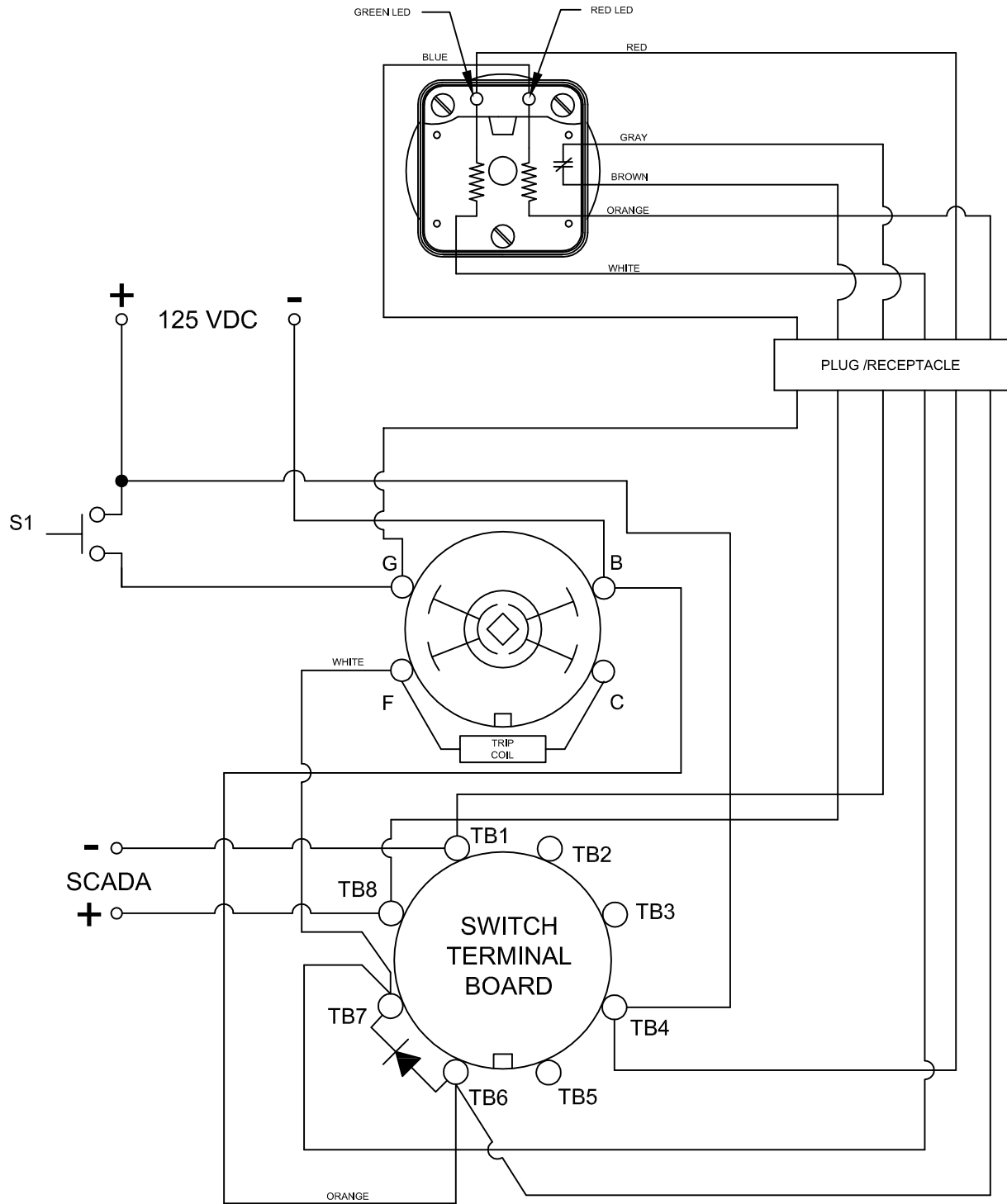


PART NUMBER

7605D 125VDCCXAWP



308 COMPONENTS DRIVE
SMITHFIELD, NC 27577 USA



PART NUMBER

7605D 125VDCCXAWP

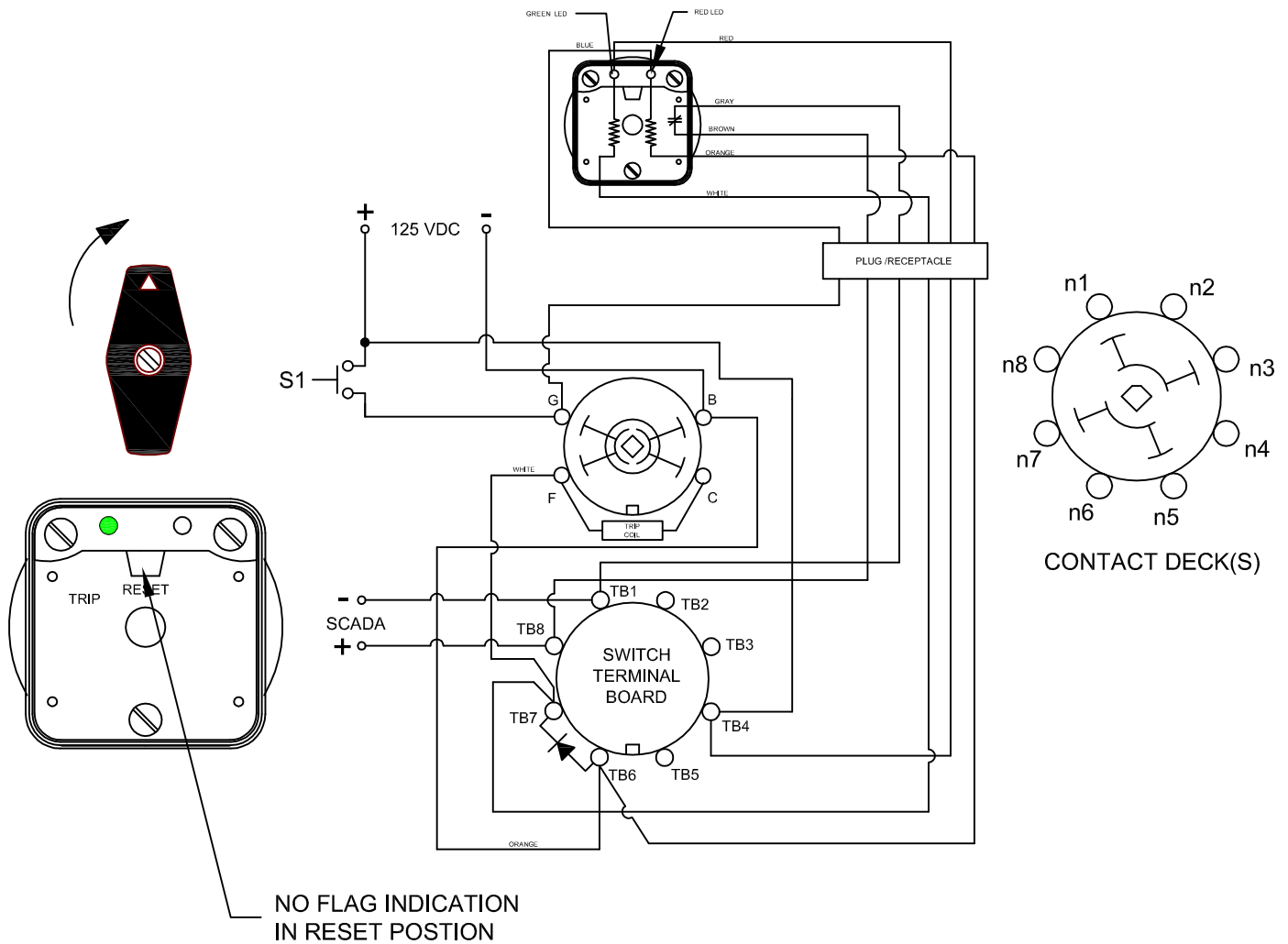
LOCK-OUT RELAYS (LOR)

GENERAL OPERATION:

THE HANDLE OF THE LOR MUST BE MANUALLY ROTATED CLOCKWISE TO PLACE THE UNIT IN THE "RESET" POSITION (SEE FIGURE A)

CONDITION #1		RESULT	
ROTOR	RESET (AS SHOWN)	LEFT LED	ON
SWITCH 1 (S1)	OPEN	RIGHT LED	OFF
		SCADA CIRCUIT (TRIP COIL MONITOR)	OPEN

FIGURE A - RESET POSITION



PART NUMBER

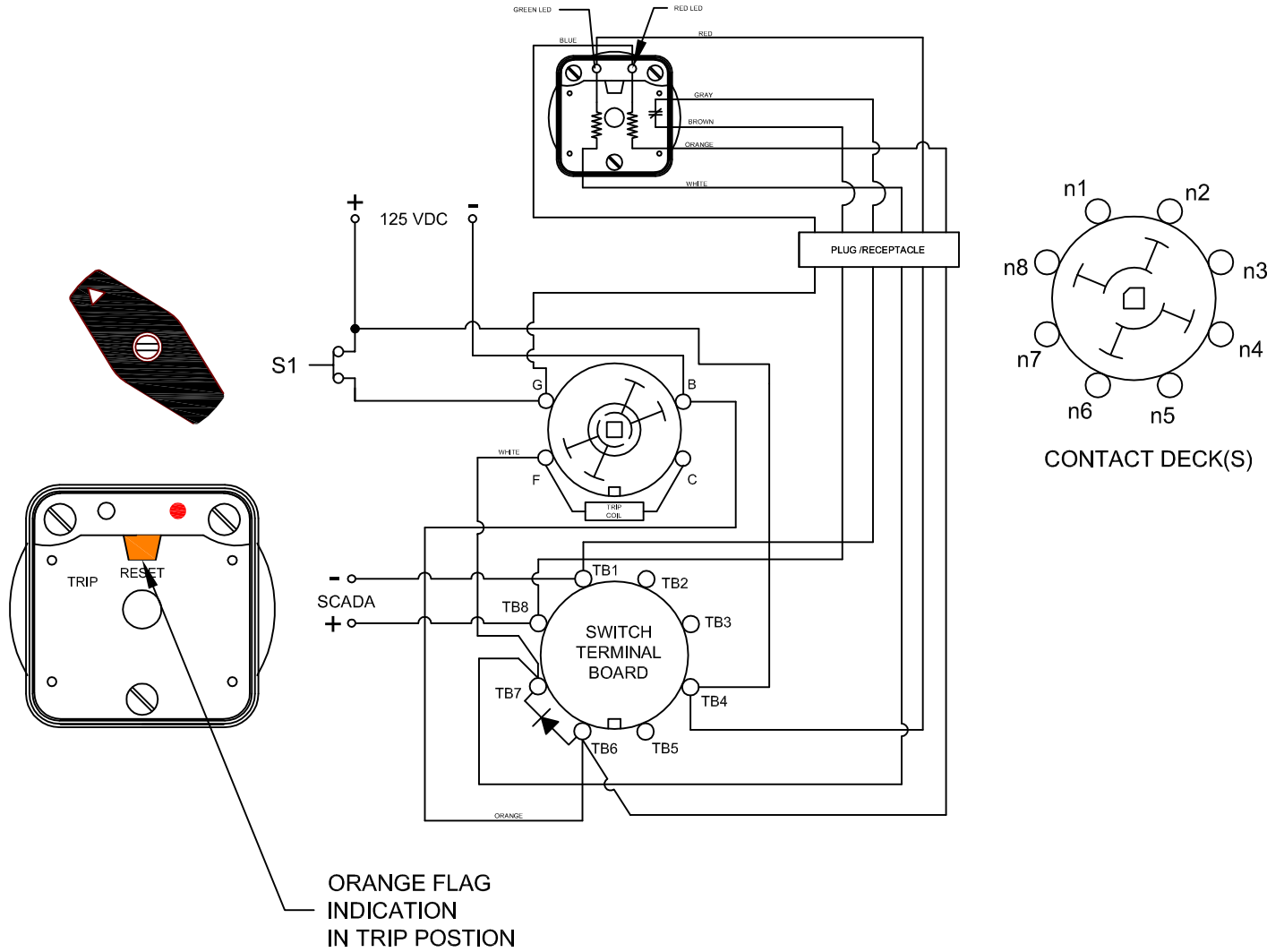
7605D 125VDCCXAWP

CONDITION #2	
ROTOR	RESET (AS SHOWN)
SWITCH 1 (S1)	CLOSED

RESULT	
LEFT LED	OFF
RIGHT LED	ON
SCADA SWITCH	CLOSED

WHEN S1 CLOSSES, THE COIL CAUSES A MECHANICAL ROTATION OF THE RELAY RESULTING IN THE SWITCH ROTOR ADVANCE TO THE "TRIP" POSITION SHOWN THE RIGHT LED ILLUMINATES UNTIL S1 OPENS. THE SCADA CIRCUIT CLOSSES.

FIGURE B - TRIP POSITION



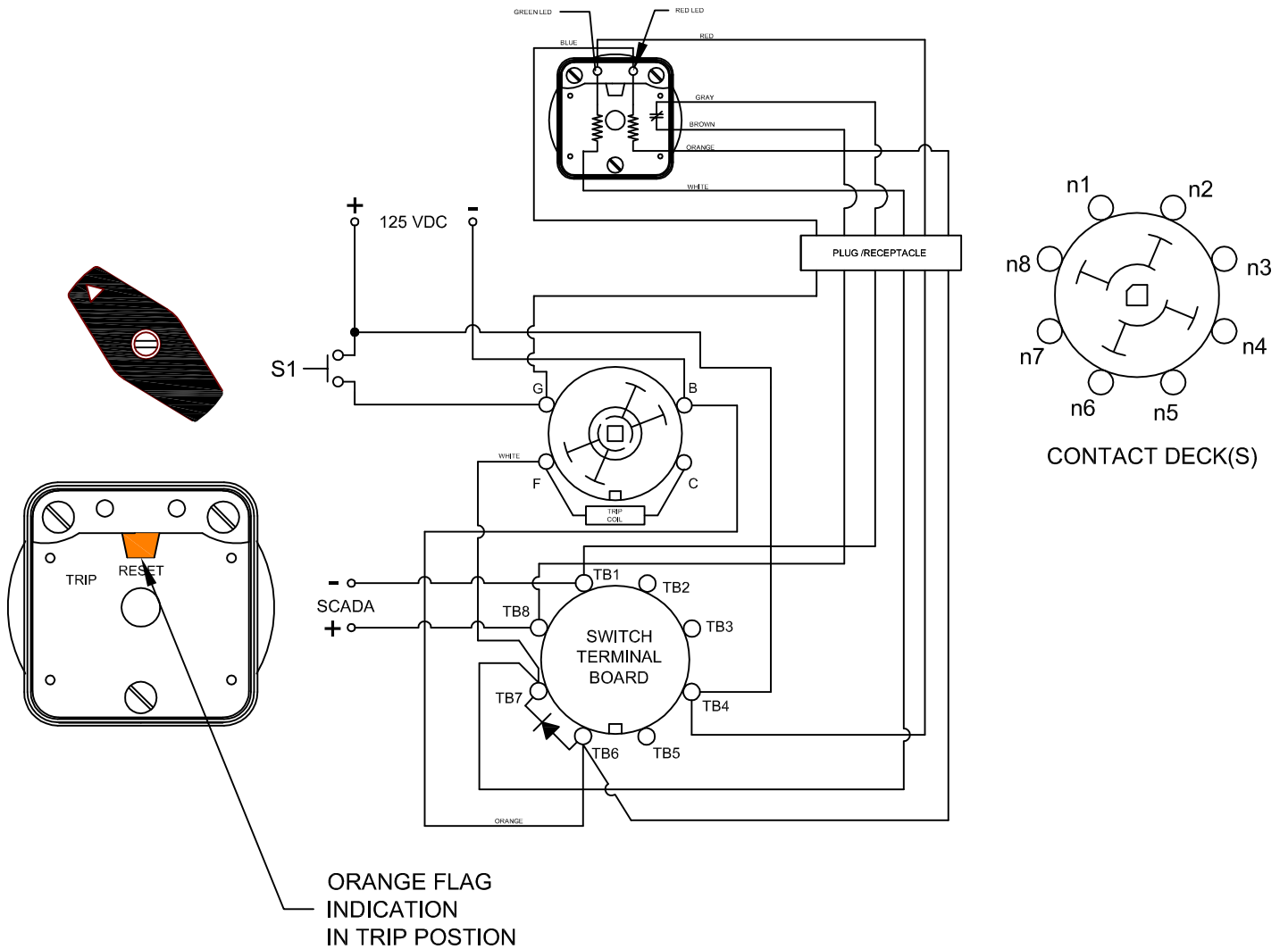
PART NUMBER
7605D 125VDCCXAWP

CONDITION #2	
ROTOR	RESET (AS SHOWN)
SWITCH 1 (S1)	OPEN

RESULT	
LEFT LED	OFF
RIGHT LED	OFF
SCADA SWITCH	CLOSED

WHEN S1 OPENS, THE RIGHT LED GOES OFF; HOWEVER THE SCADA CIRCUIT REMAINS CLOSED UNTIL THE LOR IS ROTATED BACK INTO THE RESET POSITION

FIGURE B - TRIP POSITION



PART NUMBER

7605D 125VDCCXAWP