

## SHALLCO SERIES 26

**Part Number: 2638D 24VDCABC**

### General:

Meets requirements for 1 - 25 ampere switching of resistive loads to .75 power factor at voltages to 600 VAC and 250 VDC resistive loads

### Electrical:

\* Ratings::

25A/120 VAC  
15A/240 VAC  
6A/600 VAC  
3A/125 VDC  
1A/250 VDC



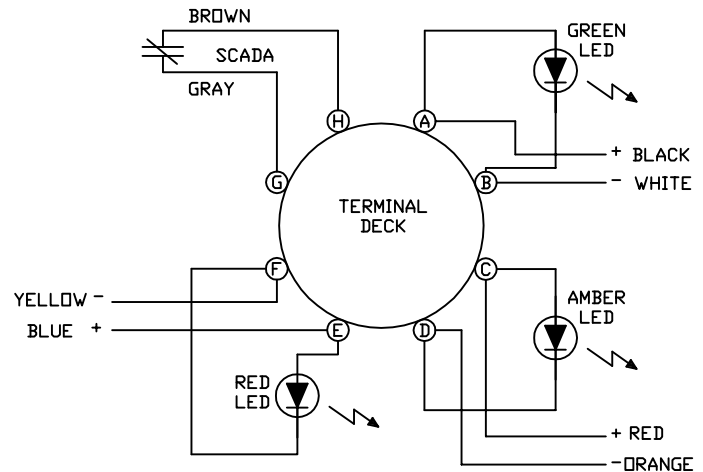
- \* Current carrying capacity: 25 amperes
- \* Dielectric Withstanding Voltage: 2200 Vrms
- \* Contact Resistance: Initial, 10 milliohms max.
- \* Insulation Resistance: 100 Megohms min., initial
- \* Switch is supplied with a lighted escutcheon plate:  
Input voltage: 24 VDC  
Wiring: As shown

### Mechanical:

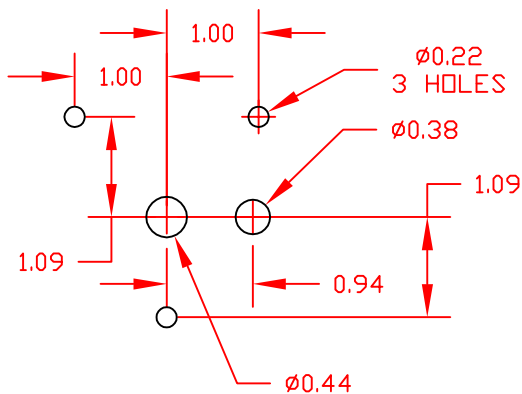
- \* Sections: 2
- \* Positions: 2, Spring Return to Center (Off)
- \* Indexing: 45°
- \* Rotational Life: 65,000 operations

### Materials and Finishes:

- \* Rotors and Stators: Thermoset Plastic, UL 94VO
- \* Rotor contacts: Phosphor bronze
- \* Stator contacts: Silver plated copper, screw type
- \* Terminal hardware: silver plated brass
- \* Exterior Metal: Steel with zinc chromate finish
- \* Knob: thermoset phenolic



### PANEL DRILLING DETAILS



CONTACT	POSITION		
	TRIP	NORMAL	CLOSE
11 - 18	X		
16 - 17			X

