

DESCRIPTION:

SHALLCO SERIES 16 KEYLOCK SWITCH  
 PART NO: 16K2-B-1-1  
 NO. OF SECTIONS: 1  
 NO. OF POSITIONS: 2, WITH SPRING RETURN TO REST - POSITION 1)

INDEXING: 45°  
 CIRCUIT: K (SEE DIAGRAM)  
 TYPE ACTION: NON-SHORTING  
 DETENT: STANDARD  
 STOPS INSTALLED: YES  
 TERMINALS: SCREW TYPE, HARDWARE SUPPLIED  
 MOUNTING HARDWARE: SUPPLIED

ELECTRICAL RATINGS:

- 15 A @ 125 VAC
- 5 A @ 250 VAC
- 3 A @ 600 VAC
- 5 A @ 30 VDC
- 1 A @ 125 VDC

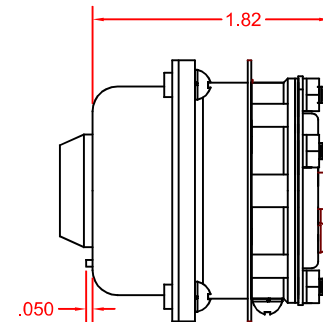
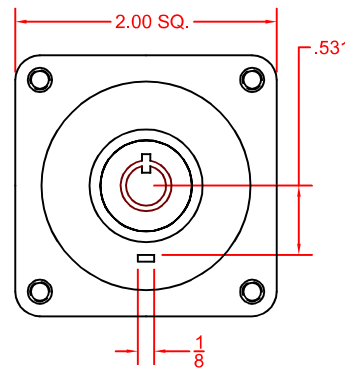
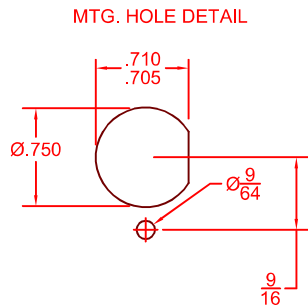
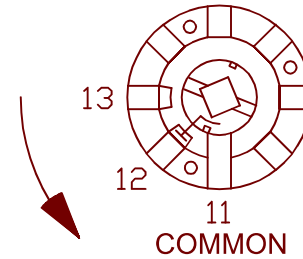


DIELECTRIC WITHSTANDING VOLTAGE: 1500 VRMS  
 CONTACT RESISTANCE: 10 MILLIOHMS MAX. INITIAL  
 INSULATION RESISTANCE: 1000 MEGHOHMS, INITIAL

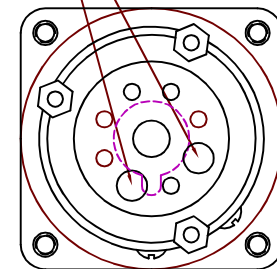


308 COMPONENTS DRIVE  
 SMITHFIELD, NC 27577 USA

DECK	CONTACTS	POSITION	
		1	2
1		X	
			X



INSTALL STOPS  
 IN #1 & 7



DESCRIPTION	16K2-B-1-1
-------------	------------