

DESCRIPTION:

SHALLCO SERIES 16 KEYLOCK SWITCH
 PART NO: 16J2-B-1-1
 NO. OF SECTIONS: 1
 NO. OF POSITIONS: 2, WITH SPRING RETURN TO THE
 OFF POSITION (KEY REMOVABLE IN THE OFF
 POSITION)

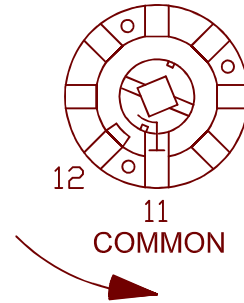
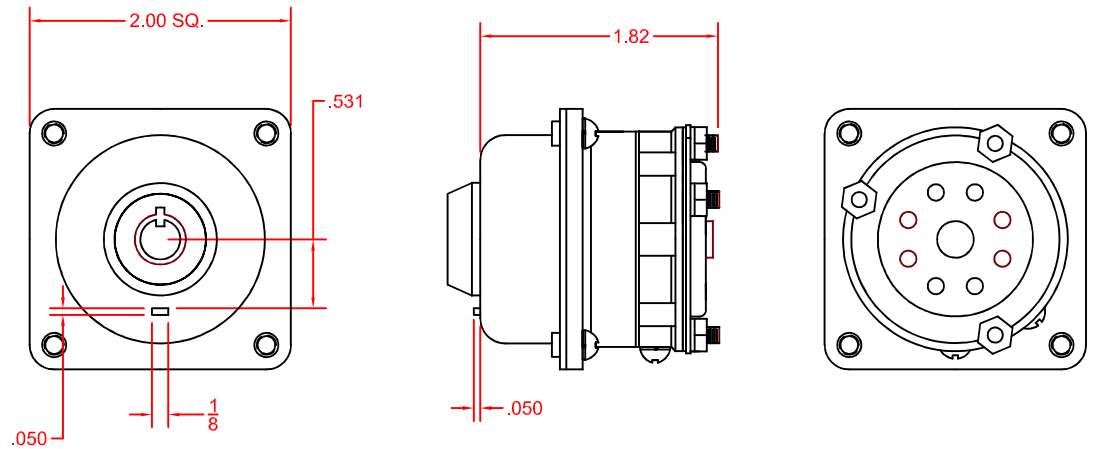
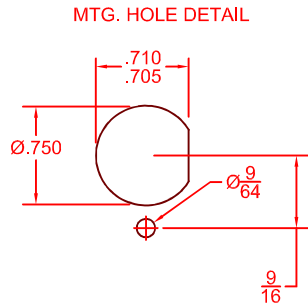
INDEXING: 45°
 CIRCUIT: J (SEE DIAGRAM)
 TYPE ACTION: NON-SHORTING
 DETENT: STANDARD
 STOPS INSTALLED: YES
 TERMINALS: SCREW TYPE, HARDWARE SUPPLIED
 MOUNTING HARDWARE: SUPPLIED

ELECTRICAL RATINGS:

- 15 A @ 125 VAC
- 5 A @ 250 VAC
- 3 A @ 600 VAC
- 5 A @ 30 VDC
- 1 A @ 125 VDC



DIELECTRIC WITHSTANDING VOLTAGE: 1500 VRMS
 CONTACT RESISTANCE: 10 MILLIOHMS MAX. INITIAL
 INSULATION RESISTANCE: 1000 MEGHOHMS, INITIAL



DECK	CONTACTS	POSITION	
		1(off)	2
1	11 ——— ——— 12		X

REVISIONS			
LTR	DESCRIPTION	DATE	APP'D

DESCRIPTION	16J2-B-1-1			DRAWN	P.DORMAN	3-22-13
				SCALE	1X	
308 COMPONENTS DRIVE SMITHFIELD, NC 27577 USA	16J2-B-1-1			SHEET 1 OF 1		