

SHALLCO SERIES 16 KEYLOCK SWITCH



PART NO: 16D2-M-2-2

DESCRIPTION:

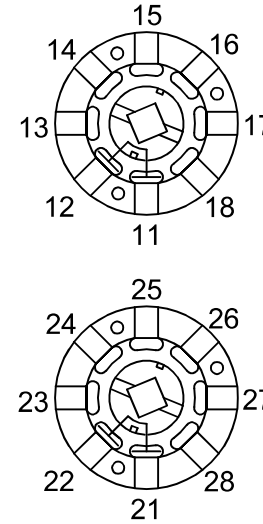
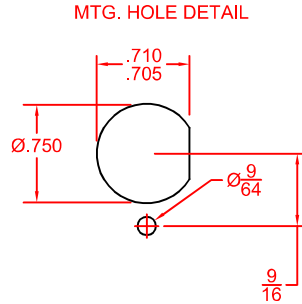
NO. OF SECTIONS: 2
 NO. OF POSITIONS: 8 ADJUSTABLE
 KEY REMOVABLE: ALL POSITIONS
 INDEXING: 45°
 CIRCUIT: D (SEE CONTACT TABLE AND STATOR DIAGRAM)
 TYPE ACTION: SHORTING
 DETENT: STANDARD
 STOPS INSTALLED: NO
 TERMINALS: SCREW TYPE, HARDWARE SUPPLIED
 MOUNTING HARDWARE: SUPPLIED

ELECTRICAL RATINGS:

- 15 A @ 125 VAC
- 5 A @ 250 VAC
- 3 A @ 600 VAC
- 5 A @ 30 VDC
- 1 A @ 125 VDC

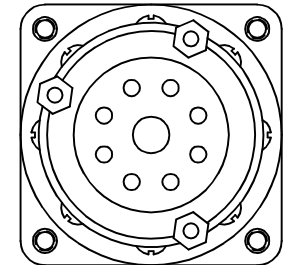
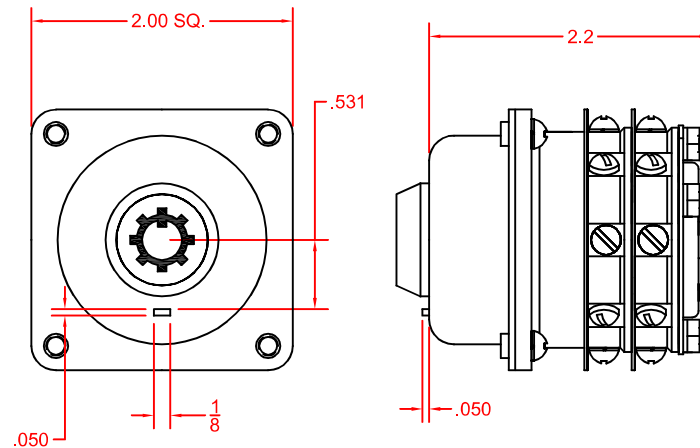


DIELECTRIC WITHSTANDING VOLTAGE: 1500 VRMS
 CONTACT RESISTANCE: 10 MILLIOHMS MAX. INITIAL
 INSULATION RESISTANCE: 1000 MEGHOHMS, INITIAL



CONTACT TABLE

DECK	CONTACTS	POSITION							
		1	2	3	4	5	6	7	8
1	11	12	X						
	12	13	X						
	13	14		X					
	14	15			X				
	15	16				X			
	16	17					X		
	17	18						X	
	18	11							X
2	21	22	X						
	22	23	X						
	23	24		X					
	24	25			X				
	25	26				X			
	26	27					X		
	27	28						X	
	28	21							X



DESCRIPTION	16D2-M-2-2
308 COMPONENTS DRIVE SMITHFIELD, NC 27577 USA	