

SHALLCO SERIES 16 SWITCH

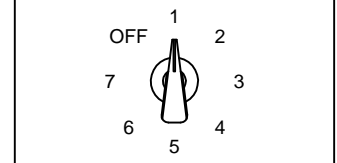


PART NO: 16B1-B-1

NO. OF SECTIONS: 1
 INDEXING: 45°
 CIRCUIT: A (SEE SCHEMATIC)
 TYPE ACTION: NONSHORTING
 DETENT: STANDARD
 STOPS INSTALLED: NO
 TERMINALS: SCREW TYPE, HARDWARE SUPPLIED
 PHENOLIC POINTER KNOB: SUPPLIED
 MOUNTING HARDWARE: SUPPLIED

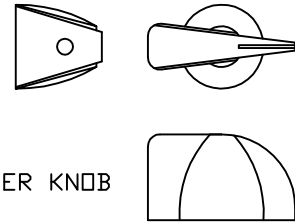
ELECTRICAL RATINGS:

- 15 A @ 125 VAC
- 5 A @ 250 VAC
- 3 A @ 600 VAC
- 5 A @ 30 VDC
- 1 A @ 125 VDC

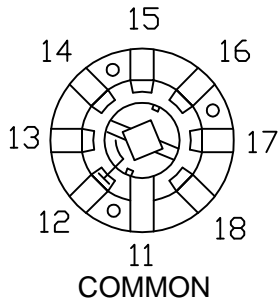


DECK	CONTACTS	POSITION							
		1	2	3	4	5	6	7	OFF
1	11								
	12	X							
	13		X						
	14			X					
	15				X				
	16					X			
	17						X		
	18						X		

DIELECTRIC WITHSTANDING VOLTAGE: 1500 VRMS
 CONTACT RESISTANCE: 10 MILLIOHMS MAX. INITIAL
 INSULATION RESISTANCE: 1000 MEGHOHMS, INITIAL



POINTER KNOB

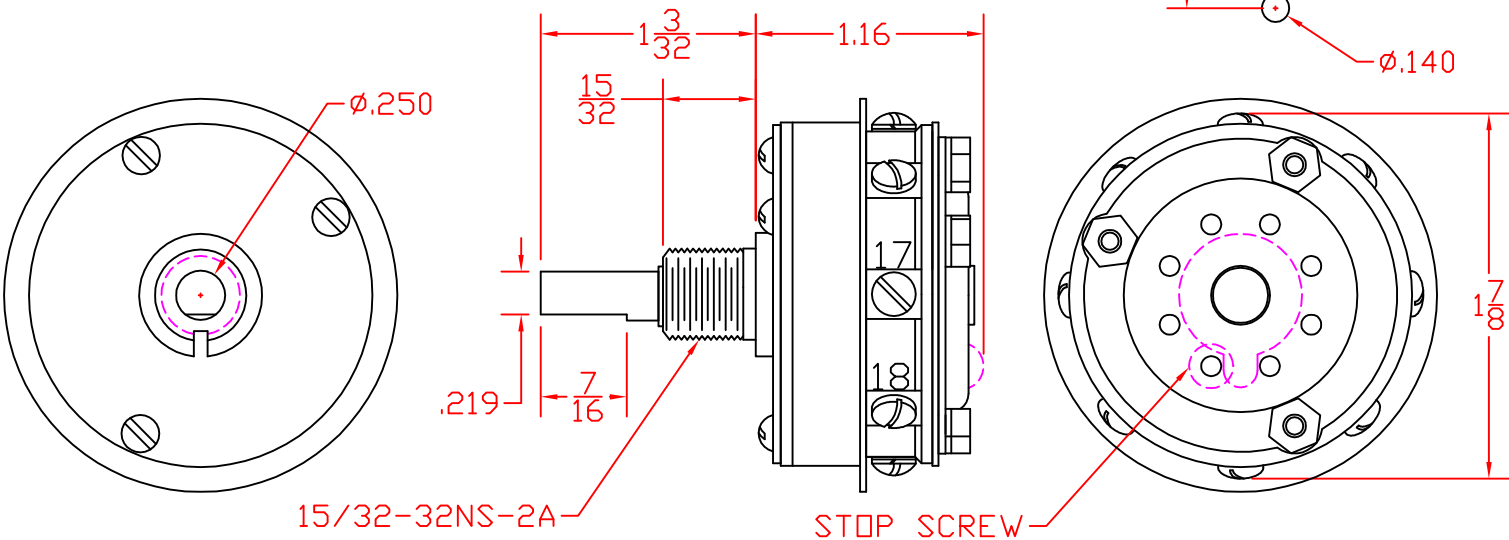
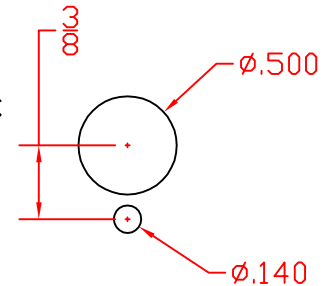


SCHEMATIC DIAGRAM

CIRCUIT "A"

COMMON LOCATED AT
 TERMINAL 11 (SWITCH
 SHOWN IN POSITION 1)

MOUNTING DIMENSIONS



DESCRIPTION

16B1-B-1



308 COMPONENTS DRIVE
 SMITHFIELD, NC 27577 USA