

SHALLCO SERIES 16 SWITCH

PART NO: 16C4-B-1SR-D

NO. OF SECTIONS: 1

NO. OF POSITIONS: UP TO 2 POSITIONS BOTH
CLOCKWISE AND
COUNTERCLOCKWISE WITH
SPRING RETURN TO CENTER

INDEXING: 45°

CIRCUIT: C (SEE CONTACT TABLE)

TYPE ACTION: NONSHORTING

DETENT: STANDARD

STOPS INSTALLED: NO

TERMINALS: SCREW TYPE, HARDWARE SUPPLIED

PHENOLIC OVAL KNOB: SUPPLIED

MOUNTING HARDWARE: SUPPLIED

ELECTRICAL RATINGS:

15 A @ 125 VAC

5 A @ 250 VAC

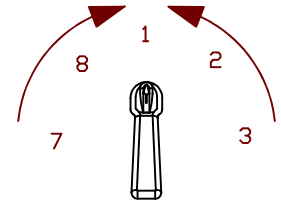
3 A @ 600 VAC

5 A @ 30 VDC

1 A @ 125 VDC



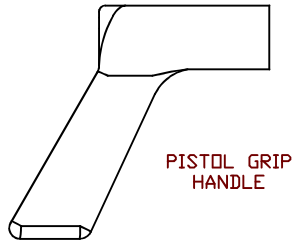
REVISIONS			
LTR	DESCRIPTION	DATE	APP'D



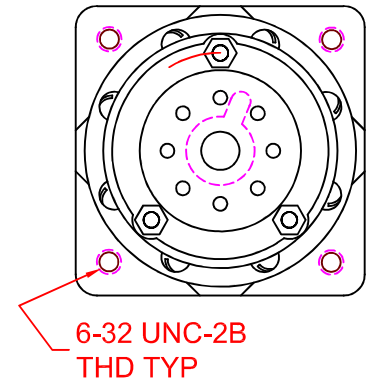
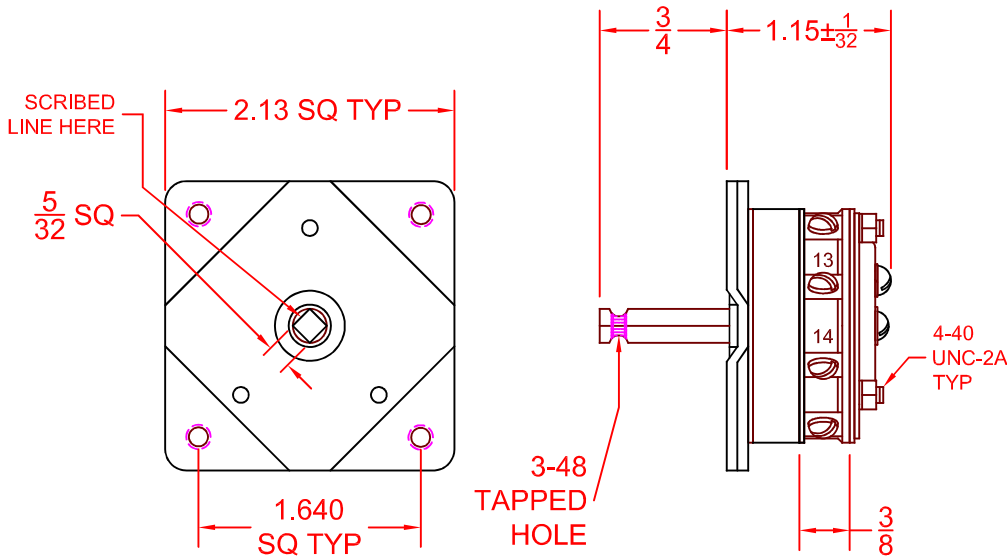
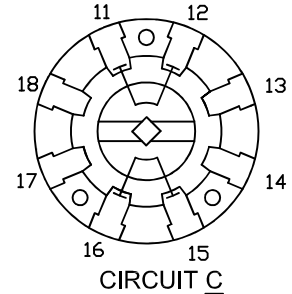
DECK	CONTACTS	POSITION		
		7 8	1 2	3
1	11 — 12		X	
	12 — 13			X
	13 — 14	X		X
	14 — 15		X	
	15 — 16			X
	16 — 17		X	
	17 — 18	X		X
	18 — 11		X	

"X" DENOTES CONTACT CLOSURE

DIELECTRIC WITHSTANDING VOLTAGE: 1500 VRMS
CONTACT RESISTANCE: 10 MILLIOHMS MAX. INITIAL
INSULATION RESISTANCE: 1000 MEGOHMS, INITIAL



PISTOL GRIP HANDLE



DESCRIPTION

16C4-B-1SR-D

DRAWN P.DORMAN 2-11-13

SCALE NONE

16C4-B-1SR-D

SHEET 1 OF 1



308 COMPONENTS DRIVE
SMITHFIELD, NC 27577 USA