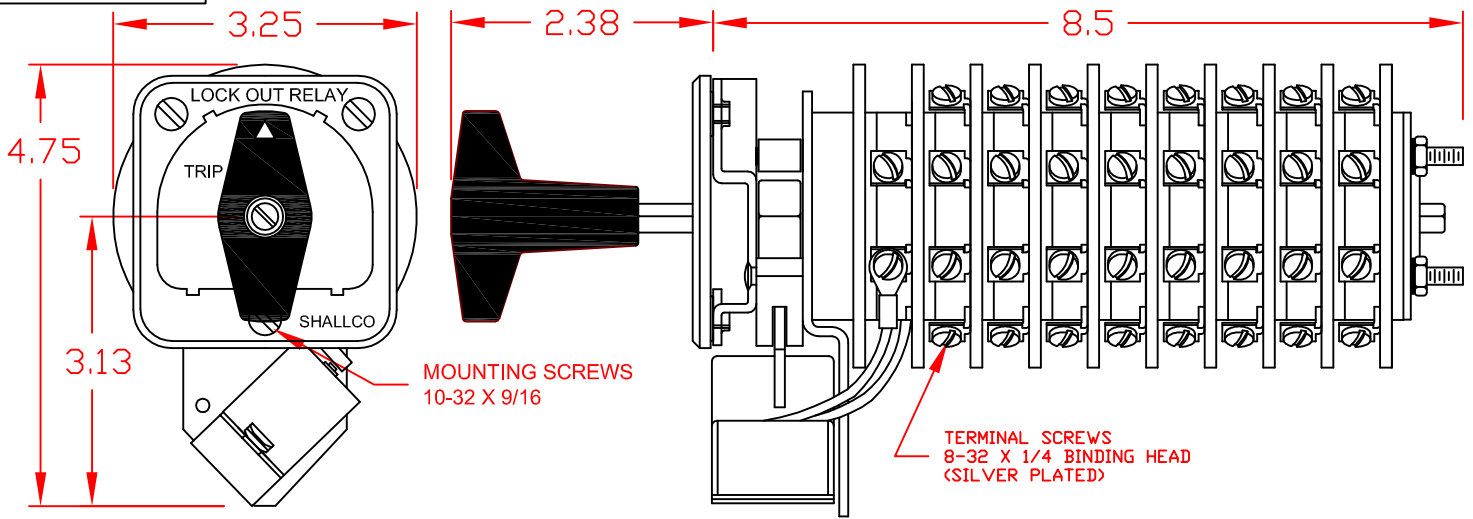


7608B



SPECIFICATIONS:

NO. OF POSITIONS: 2, TRIP AND RESET

NO. OF SECTIONS: 8

CONTACTS: 2 NORMALLY OPEN
2 NORMALLY CLOSED
PER DECK

ACTION: 45° POSITIVE TRIP DETENT

STATIONARY CONTACTS : SILVER OVER COPPER

NAMEPLATE: AS SHOWN

COIL SPECIFICATIONS:

OPERATING VOLTAGE: 24 VDC

THRESHOLD VOLTAGE: 9 VDC

OPERATING RANGE: 18 - 50 VDC

CURRENT AT RATED VOLTAGE: 3.1 AMPS

ELECTRICAL RATINGS:

25 A/120 VAC 3 A/ 125 VDC

15 A/600 VAC 1 A/ 250 VDC

20 A/600 VAC (RES)

OVERLOAD CURRENT (50 OPERATIONS):

95 A/120 VAC

65 A/240 VAC

35 A/600 VAC

DIELECTRIC STRENGTH: 2200 VRMS

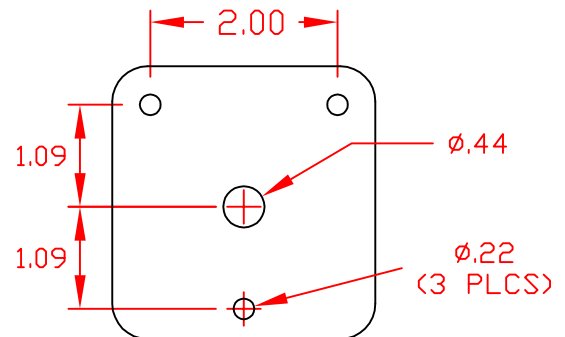
INSULATION RESISTANCE: 100 MEGOHMS INITIAL

CONTACT RESISTANCE: 10 MILLIOHMS MAX. INITIAL

DECK	CONTACTS	POSITION	
		TRIP	RESET
1	11 -> 13		
	12 -> 18		
	15 -> 17		
	16 -> 14		
2	21 -> 23		
	22 -> 28		
	25 -> 27		
	26 -> 24		
3	31 -> 33		
	32 -> 38		
	35 -> 37		
	36 -> 34		
4	41 -> 43		
	42 -> 48		
	45 -> 47		
	46 -> 44		

DECK	CONTACTS	POSITION	
		TRIP	RESET
5	51 -> 53		
	52 -> 58		
	55 -> 57		
6	56 -> 54		
	61 -> 63		
	62 -> 68		
7	65 -> 67		
	66 -> 64		
	71 -> 73		
	72 -> 78		
8	75 -> 77		
	76 -> 74		
	81 -> 83		
	82 -> 88		
8	85 -> 87		
	86 -> 84		

NAMEPLATE AND PANEL DRILLING DIMENSIONS



DESCRIPTION

7608B



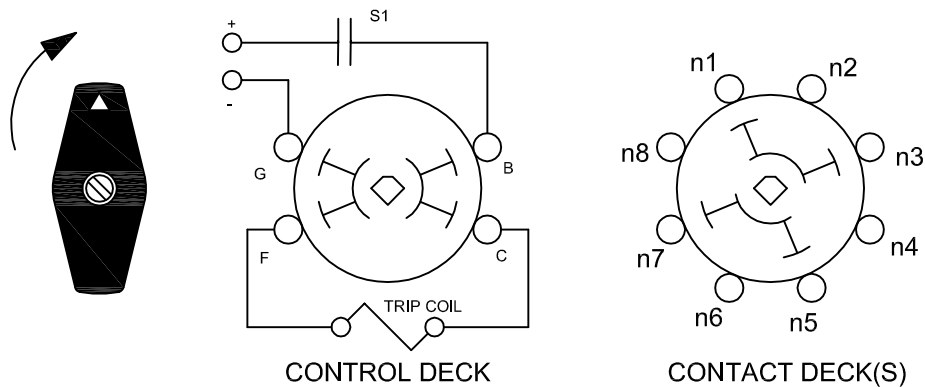
308 COMPONENTS DRIVE
SMITHFIELD, NC 27577 USA

LOCK-OUT RELAYS (LOR)

GENERAL OPERATION:

THE HANDLE OF THE LOR MUST BE MANUALLY ROTATED CLOCKWISE TO PLACE THE UNIT IN THE "RESET" POSITION (SEE FIGURE A)

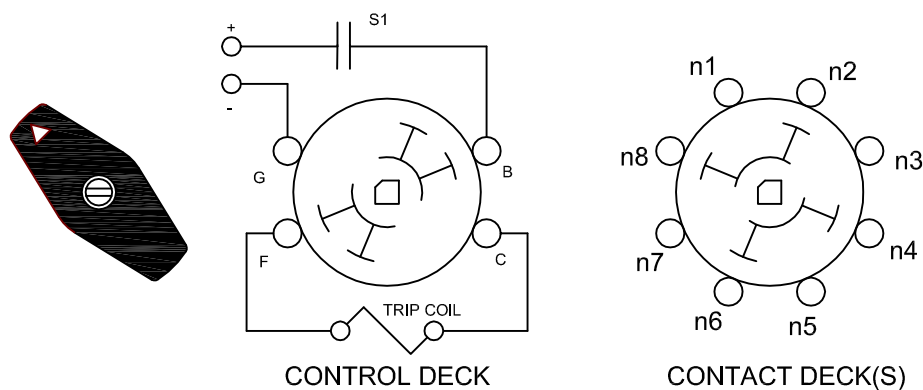
FIGURE A - RESET POSITION



WHEN A PREDETERMINED CONDITION EXISTS, A SIGNAL WILL BE SENT TO S1 WHICH WILL ACTIVATE THE COIL AND CAUSE THE LOR TO "TRIP". THE "B" AND "G" CONTACTS ON THE CONTROL DECK PROVIDE THE CONNECTION TO THE CONTROL CIRCUIT THROUGH S1 WHICH CAN BE A CONTACT OF ANY TYPE I.E. SWITCH, RELAY.... THE LOR CONTACTS IN FIGURE "B" ARE IN THE "TRIPPED" POSITION.

THE LOR WILL REMAIN IN THE "TRIPPED" POSITION UNTIL MANUALLY RESET.

FIGURE B - TRIP POSITION



DESCRIPTION

7608B