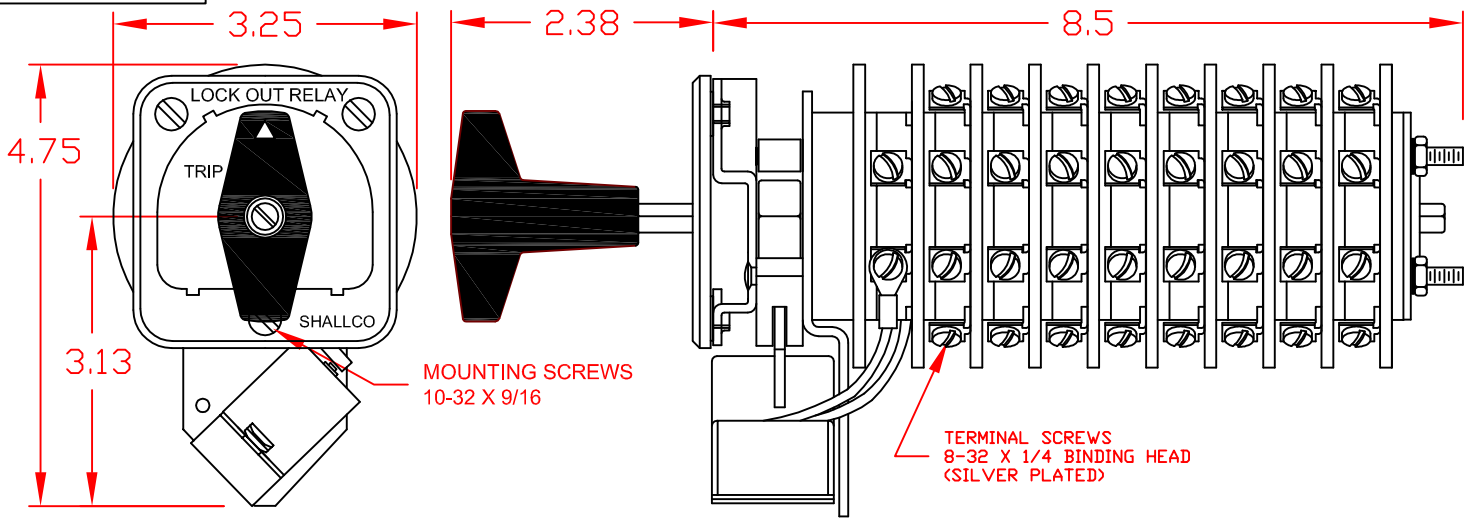


# 7608A



**SPECIFICATIONS:**

NO. OF POSITIONS: 2, TRIP AND RESET  
 NO. OF SECTIONS: 8  
 CONTACTS: 2 NORMALLY OPEN  
 2 NORMALLY CLOSED  
 PER DECK  
 ACTION: 45° POSITIVE TRIP DETENT  
 STATIONARY CONTACTS : SILVER OVER COPPER  
 NAMEPLATE: AS SHOWN

**COIL SPECIFICATIONS:**  
 OPERATING VOLTAGE: 24 VDC  
 THRESHOLD VOLTAGE: 6VDC  
 OPERATING RANGE: 10 - 40 DC

**ELECTRICAL RATINGS:**  
 25 A/120 VAC 3 A/ 125 VDC  
 15 A/600 VAC 1 A/ 250 VDC  
 20 A/600 VAC (RES)

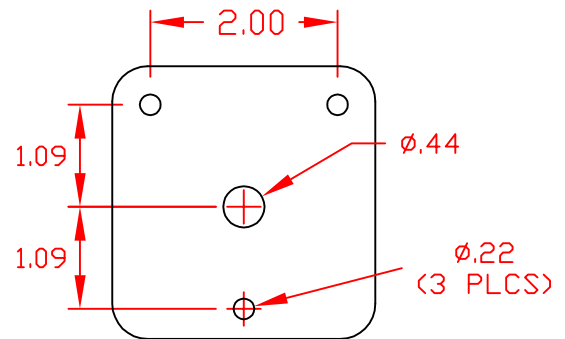
**OVERLOAD CURRENT (50 OPERATIONS):**  
 95 A/120 VAC  
 65 A/240 VAC  
 35 A/600 VAC

**DIELECTRIC STRENGTH:** 2200 VRMS  
**INSULATION RESISTANCE:** 100 MEGOHMS INITIAL  
**CONTACT RESISTANCE:** 10 MILLIOHMS MAX. INITIAL

DECK	CONTACTS	POSITION	
		TRIP	RESET
1	11 - 13		
	12 - 18		
	15 - 17		
	16 - 14		
2	21 - 23		
	22 - 28		
	25 - 27		
	26 - 24		
3	31 - 33		
	32 - 38		
	35 - 37		
	36 - 34		
4	41 - 43		
	42 - 48		
	45 - 47		
	46 - 44		

DECK	CONTACTS	POSITION	
		TRIP	RESET
5	51 - 53		
	52 - 58		
	55 - 57		
6	56 - 54		
	61 - 63		
	62 - 68		
7	65 - 67		
	66 - 64		
	71 - 73		
	72 - 78		
8	75 - 77		
	76 - 74		
	81 - 83		
	82 - 88		
8	85 - 87		
	86 - 84		

**NAMEPLATE AND PANEL DRILLING DIMENSIONS**



**DESCRIPTION**

**7608A**



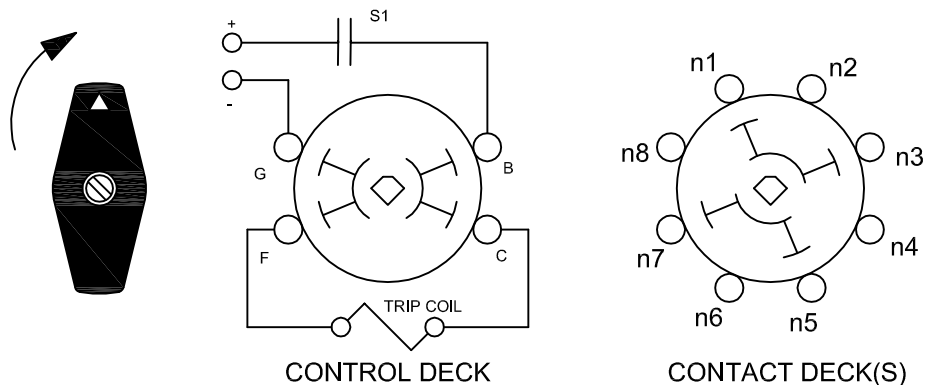
308 COMPONENTS DRIVE  
 SMITHFIELD, NC 27577 USA

## LOCK-OUT RELAYS (LOR)

## GENERAL OPERATION:

THE HANDLE OF THE LOR MUST BE MANUALLY ROTATED CLOCKWISE TO PLACE THE UNIT IN THE "RESET" POSITION (SEE FIGURE A)

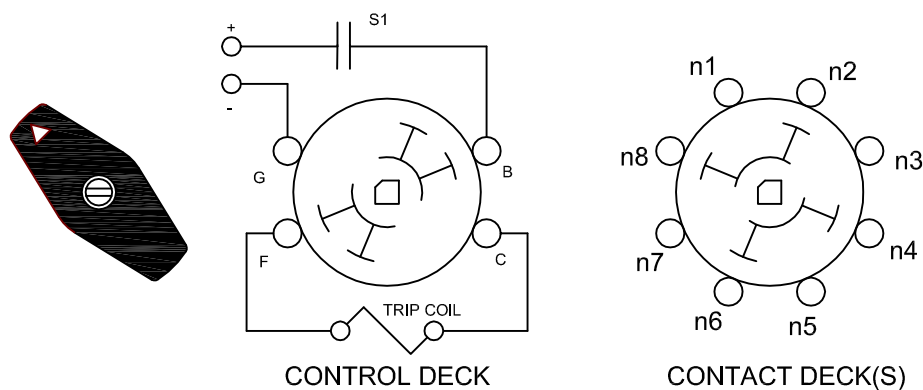
FIGURE A - RESET POSITION



WHEN A PREDETERMINED CONDITION EXISTS, A SIGNAL WILL BE SENT TO S1 WHICH WILL ACTIVATE THE COIL AND CAUSE THE LOR TO "TRIP". THE "B" AND "G" CONTACTS ON THE CONTROL DECK PROVIDE THE CONNECTION TO THE CONTROL CIRCUIT THROUGH S1 WHICH CAN BE A CONTACT OF ANY TYPE I.E. SWITCH, RELAY.... THE LOR CONTACTS IN FIGURE "B" ARE IN THE "TRIPPED" POSITION.

THE LOR WILL REMAIN IN THE "TRIPPED" POSITION UNTIL MANUALLY RESET.

FIGURE B - TRIP POSITION



## DESCRIPTION

7608A