

**SPECIFICATIONS:**

NO. OF POSITIONS: 2, TRIP AND RESET

NO. OF SECTIONS: 7

CONTACTS: 2 NORMALLY OPEN  
2 NORMALLY CLOSED  
PER DECK

ACTION: 45° POSITIVE TRIP DETENT

STATIONARY CONTACTS : SILVER OVER COPPER

NAMEPLATE: AS SHOWN

**COIL SPECIFICATIONS:**

OPERATING VOLTAGE: 125 VDC / 120 VAC

THRESHOLD VOLTAGE: 16 VDC / 20 VAC

OPERATING RANGE: 30 - 140 VDC / 30 - 140 VAC

CURRENT AT RATED VOLTAGE: 4.6 / 4.4 AMPS

**ELECTRICAL RATINGS:**

25 A/120 VAC 3 A/ 125 VDC

15 A/240 VAC 1 A/ 250 VDC

6 A/600 VAC



**OVERLOAD CURRENT (50 OPERATIONS):**

95 A/120 VAC

65 A/240 VAC

35 A/600 VAC

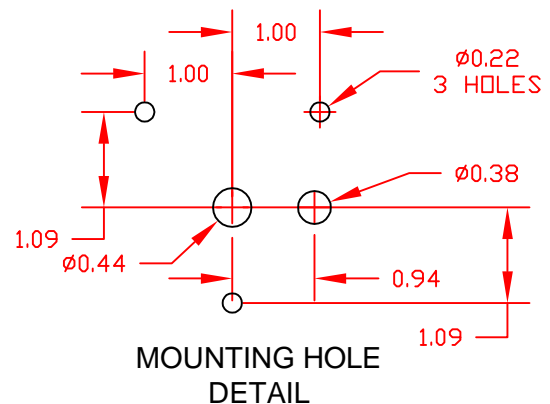
DIELECTRIC STRENGTH: 2200 VRMS

INSULATION RESISTANCE: 100 MEGOHMS INITIAL

CONTACT RESISTANCE: 10 MILLIOHMS MAX. INITIAL

DECK	CONTACTS	POSITION	
		TRIP	RESET
1	11 —  —  — 13		
	12 —  —  — 18	X	X
	15 —  —  — 17		
2	16 —  —  — 14	X	X
	21 —  —  — 23		
	22 —  —  — 28	X	X
	25 —  —  — 27		
3	26 —  —  — 24	X	X
	31 —  —  — 33		
	32 —  —  — 38	X	X
	35 —  —  — 37		
4	36 —  —  — 34	X	X
	41 —  —  — 43		
	42 —  —  — 48	X	X
	45 —  —  — 47		
	46 —  —  — 44	X	X

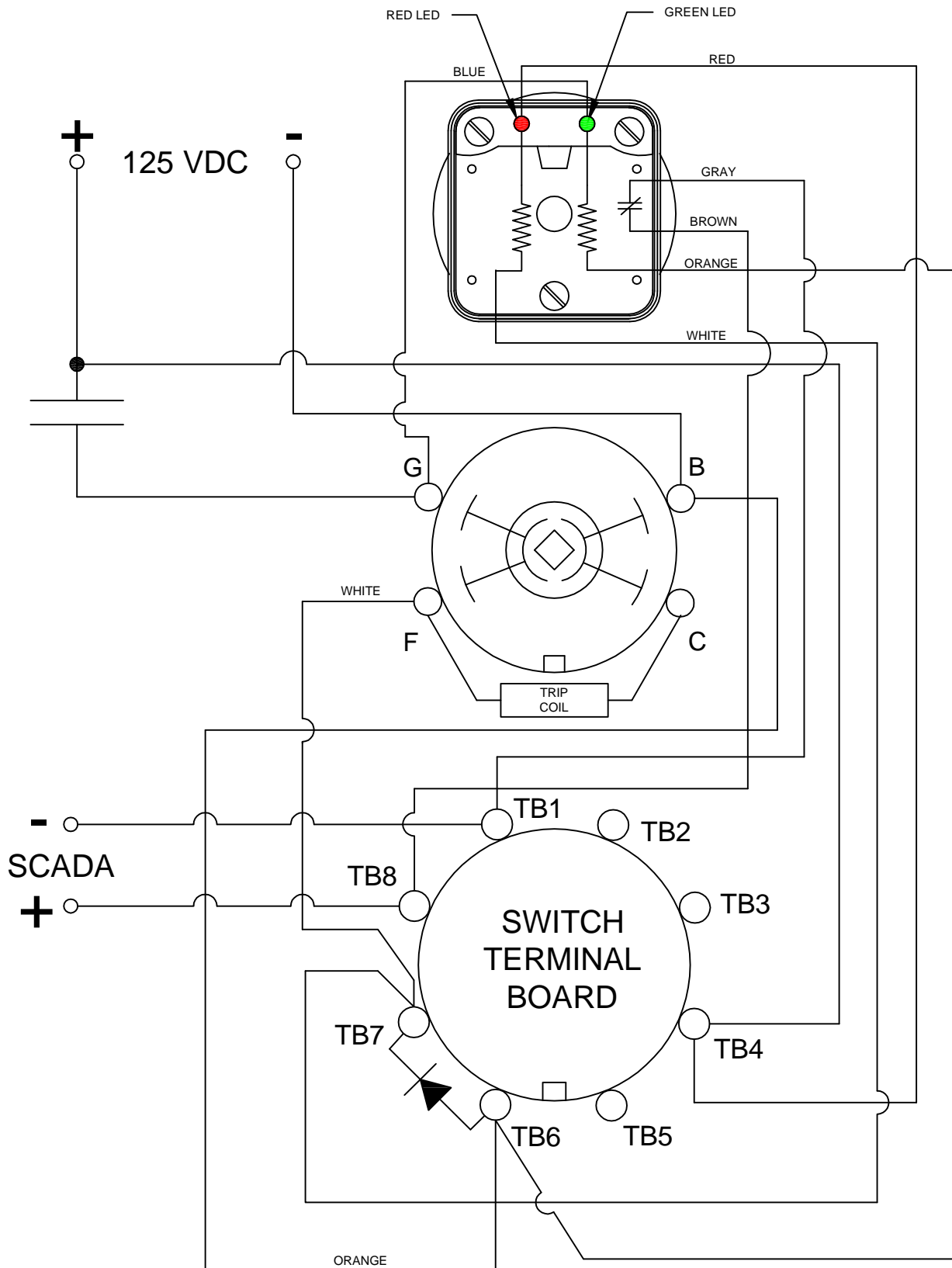
DECK	CONTACTS	POSITION	
		TRIP	RESET
5	51 —  —  — 53		
	52 —  —  — 58	X	X
	55 —  —  — 57		
6	56 —  —  — 54	X	X
	61 —  —  — 63		
	62 —  —  — 68	X	X
	65 —  —  — 67		
7	66 —  —  — 64	X	X
	71 —  —  — 73		
	72 —  —  — 78	X	X
	75 —  —  — 77		
	76 —  —  — 74	X	X



DESCRIPTION

7607D 125VDCAXC

REV. A



DESCRIPTION

7607D 125VDCAXC

REV. A

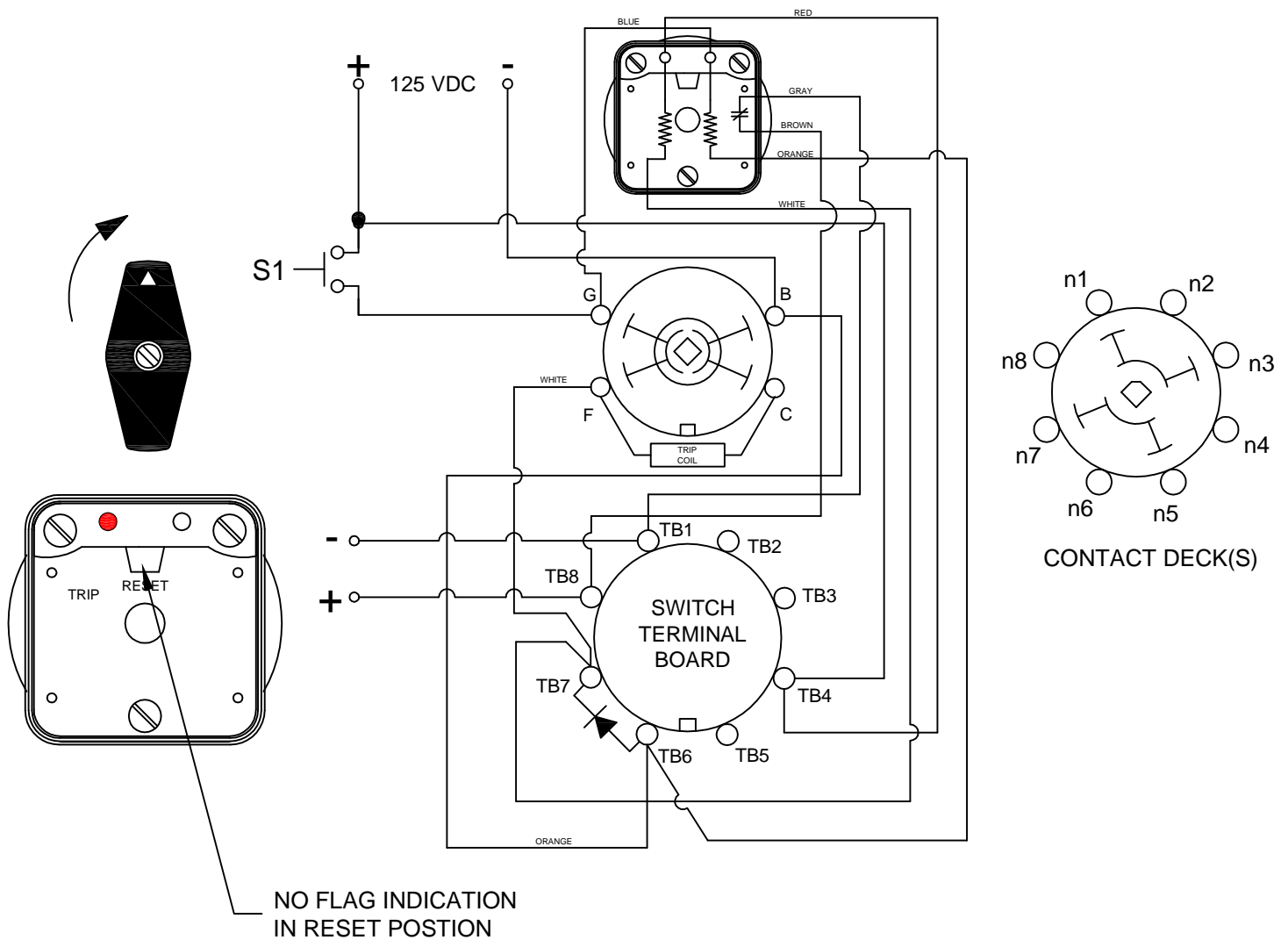
LOCK-OUT RELAYS (LOR)

GENERAL OPERATION:

THE HANDLE OF THE LOR MUST BE MANUALLY ROTATED CLOCKWISE TO PLACE THE UNIT IN THE "RESET" POSITION (SEE FIGURE A)

CONDITION #1		RESULT	
ROTOR	RESET (AS SHOWN)	LEFT LED	ON
SWITCH 1 (S1)	OPEN	RIGHT LED	OFF
		SCADA CIRCUIT TRIP COIL MONITOR)	OPEN

FIGURE A - RESET POSITION



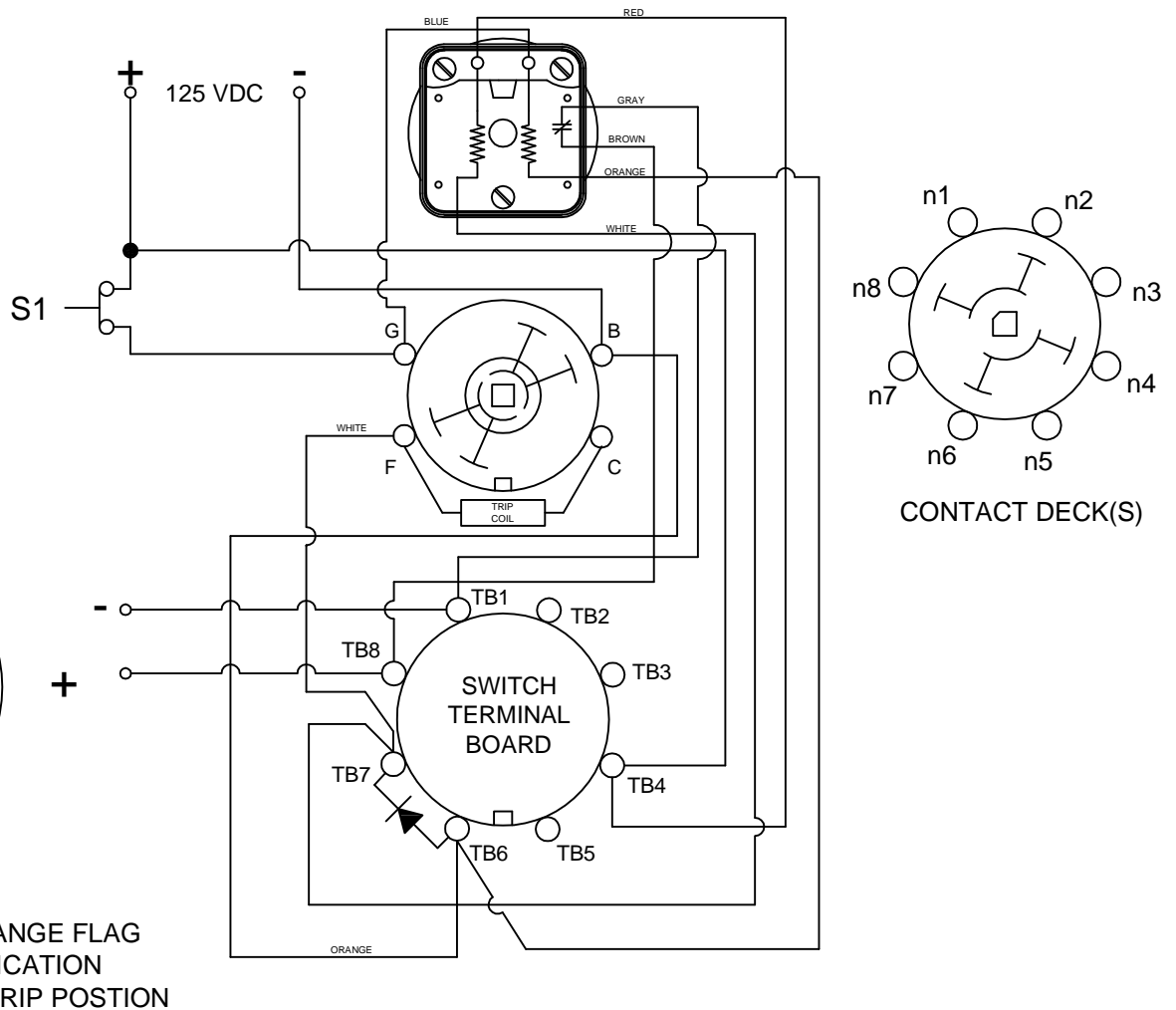
DESCRIPTION	7607D 125VDCAXC	REV. A
-------------	-----------------	--------

WHEN S1 CLOSSES, THE COIL CAUSES A MECHANICAL ROTATION OF THE RELAY RESULTING IN THE SWITCH ROTOR ADVANCE TO THE "TRIP" POSITION SHOWN

CONDITION #2	
ROTOR	TRIPPED (AS SHOWN)
SWITCH 1 (S1)	CLOSED

RESULT	
LEFT LED	OFF
RIGHT LED	ON
SCADA SWITCH	CLOSED

FIGURE B - TRIP POSITION



DESCRIPTION

7607D 125VDCAXC

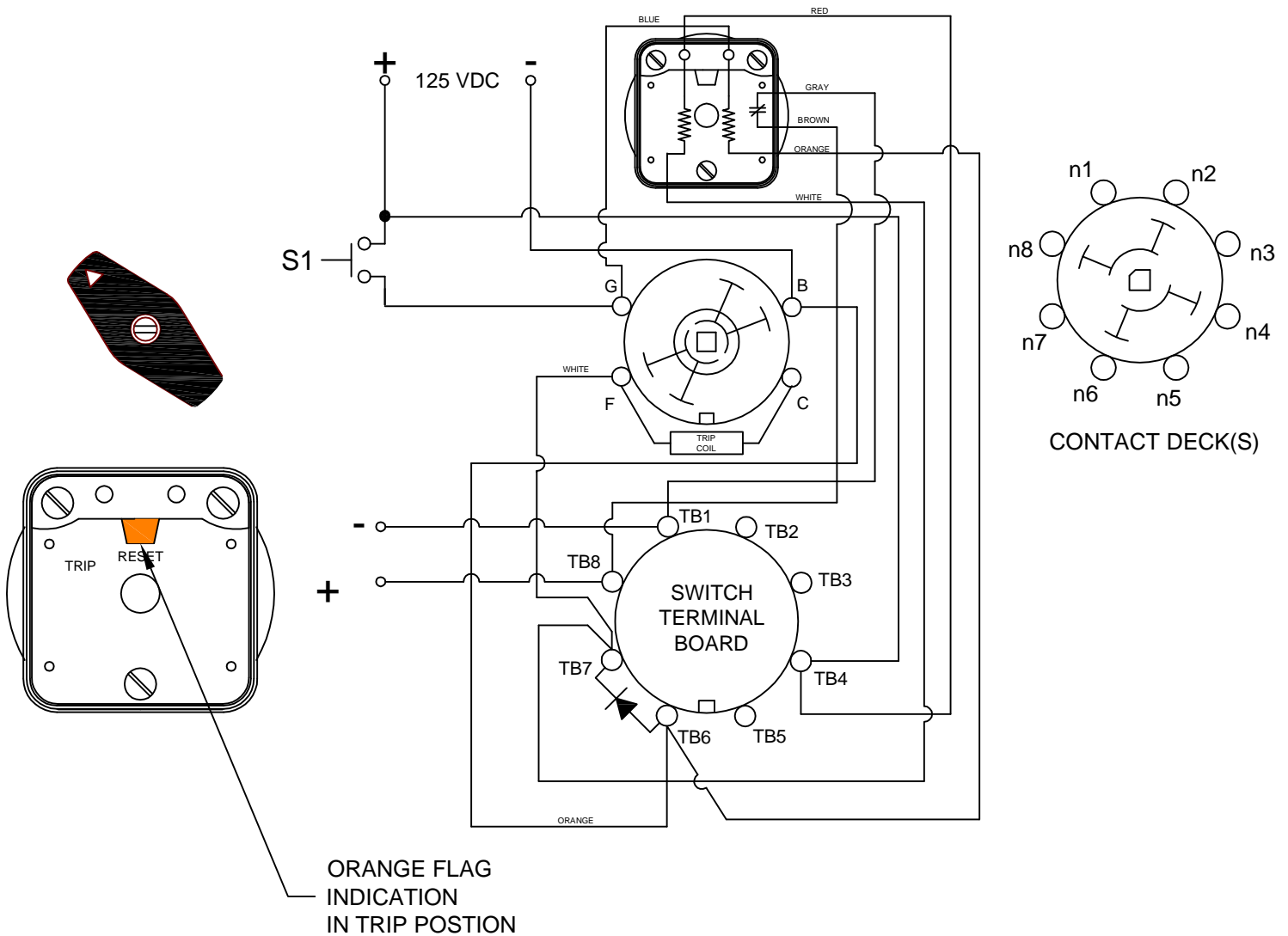
REV. A

WHEN S1 OPENS BACK, THE SCADA CIRCUIT WILL REMAIN CLOSED UNTIL THE LOR IS ROTATED BACK INTO THE RESET POSITION.

CONDITION #2	
ROTOR	RESET (AS SHOWN)
SWITCH 1 (S1)	OPEN

RESULT	
LEFT LED	OFF
RIGHT LED	OFF
SCADA SWITCH	CLOSED

FIGURE B - TRIP POSITION



DESCRIPTION  
**7607D 125VDCAXC** REV. A