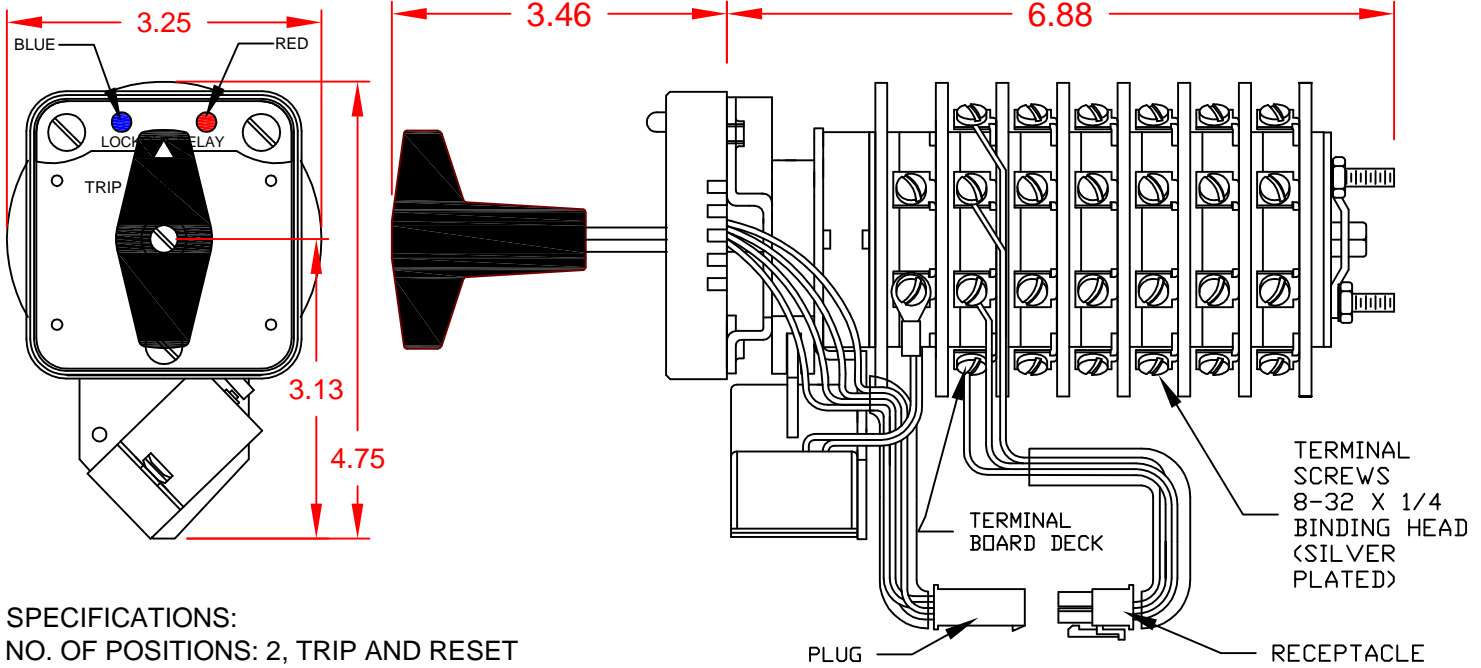


# 7605D 125VDCEXAWP



**SPECIFICATIONS:**

NO. OF POSITIONS: 2, TRIP AND RESET

NO. OF SECTIONS: 6(5)

CONTACTS: 2 NORMALLY OPEN

2 NORMALLY CLOSED

PER DECK

ACTION: 45° POSITIVE TRIP DETENT

STATIONARY CONTACTS : SILVER OVER COPPER

NAMEPLATE: AS SHOWN

**COIL SPECIFICATIONS:**

OPERATING VOLTAGE: 125 VDC / 120 VAC

THRESHOLD VOLTAGE: 16 VDC / 20 VAC

OPERATING RANGE: 30 - 140 VDC / 30 - 140 VAC

CURRENT AT RATED VOLTAGE: 4.6 / 4.4 AMPS

**ELECTRICAL RATINGS:**

15A/600 VAC

20A/600 VAC (RES)

25A/125 VAC

3A/125 VDC

1A/250 VDC



**OVERLOAD CURRENT (50 OPERATIONS):**

95 A/120 VAC

65 A/240 VAC

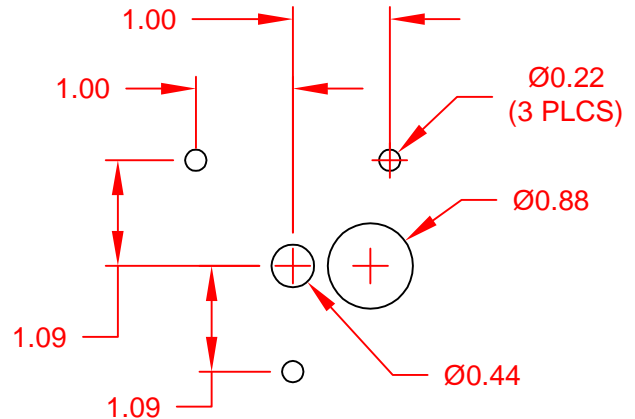
35 A/600 VAC

DIELECTRIC STRENGTH: 2200 VRMS

INSULATION RESISTANCE: 100 MEGOHMS INITIAL

CONTACT RESISTANCE: 10 MILLIOHMS MAX. INITIAL

DECK	CONTACTS	POSITION	
		TRIP	RESET
1	11 —  — 13		X
	12 —  — 18	X	
	15 —  — 17	X	X
	14 —  — 16	X	X
2	21 —  — 23		X
	22 —  — 28	X	
	25 —  — 27	X	X
	24 —  — 26	X	X
3	31 —  — 33		X
	32 —  — 38	X	
	35 —  — 37	X	X
	34 —  — 36	X	X
4	41 —  — 43		X
	42 —  — 48	X	
	45 —  — 47	X	X
	44 —  — 46	X	X
5	51 —  — 53		X
	52 —  — 58	X	
	55 —  — 57	X	X
	54 —  — 56	X	X



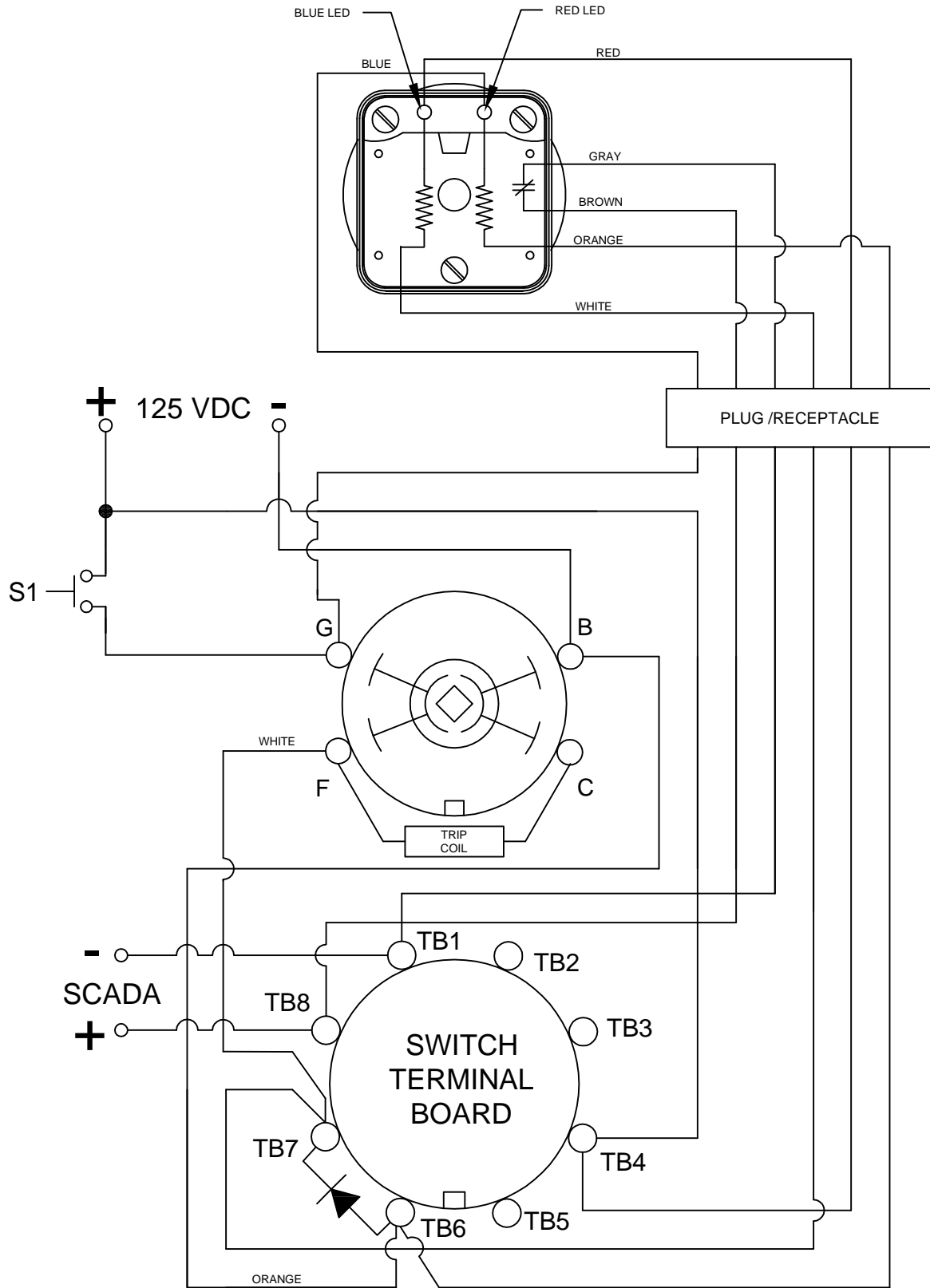
PANEL DRILLING

PART NUMBER

**7605D125VDCEXAWP**



308 COMPONENTS DRIVE  
SMITHFIELD, NC 27577 USA



PART NUMBER

7605D125VDCEXAWP

LOCK-OUT RELAYS (LOR)

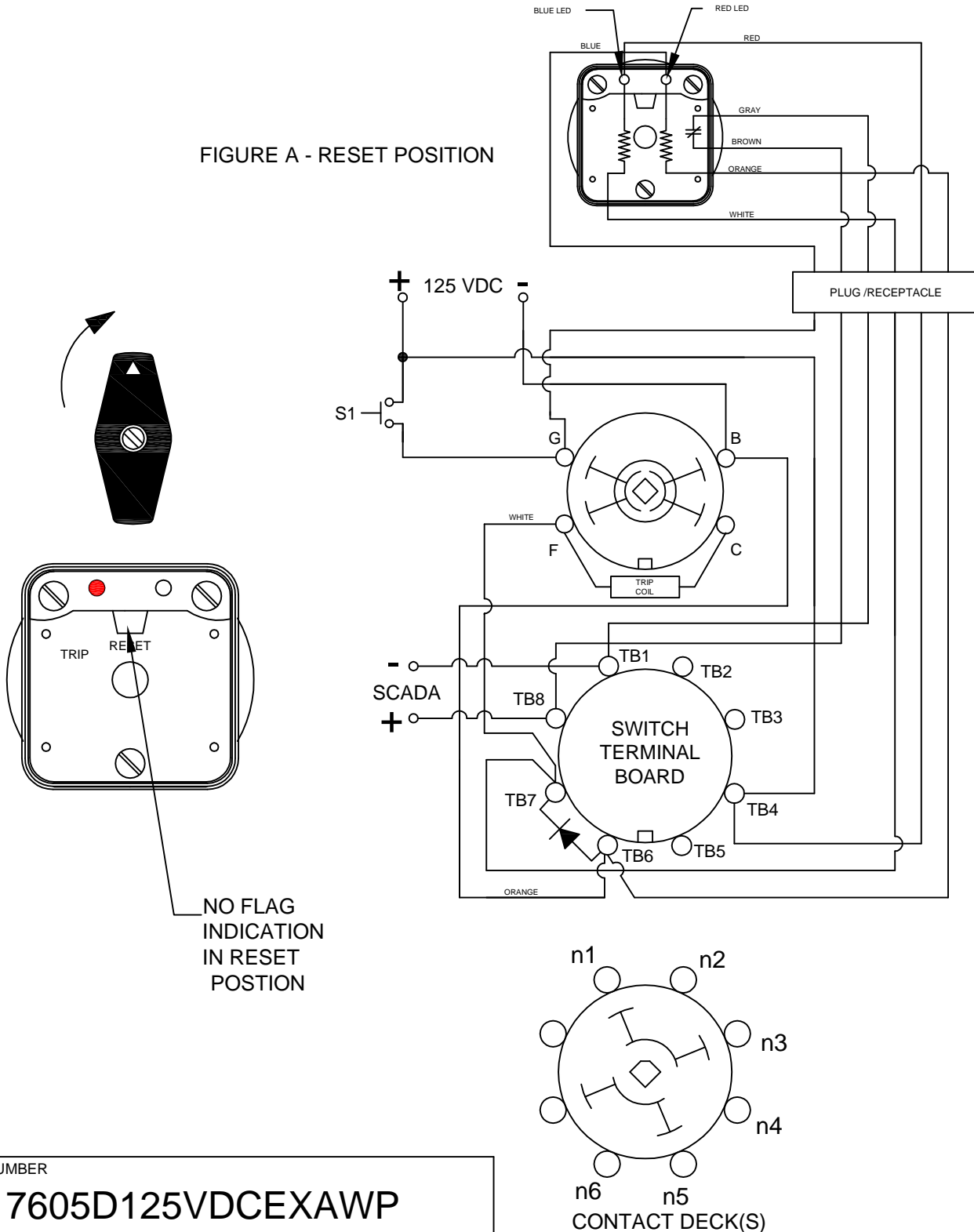
GENERAL OPERATION:

THE HANDLE OF THE LOR MUST BE MANUALLY ROTATED CLOCKWISE TO PLACE THE UNIT IN THE "RESET" POSITION (SEE FIGURE A)

CONDITION #1	
ROTOR	RESET (AS SHOWN)
SWITCH 1 (S1)	OPEN

RESULT	
LEFT LED	ON
RIGHT LED	OFF
SCADA CIRCUIT TRIP COIL MONITOR)	OPEN

FIGURE A - RESET POSITION



PART NUMBER

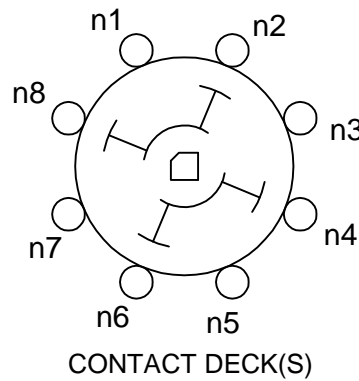
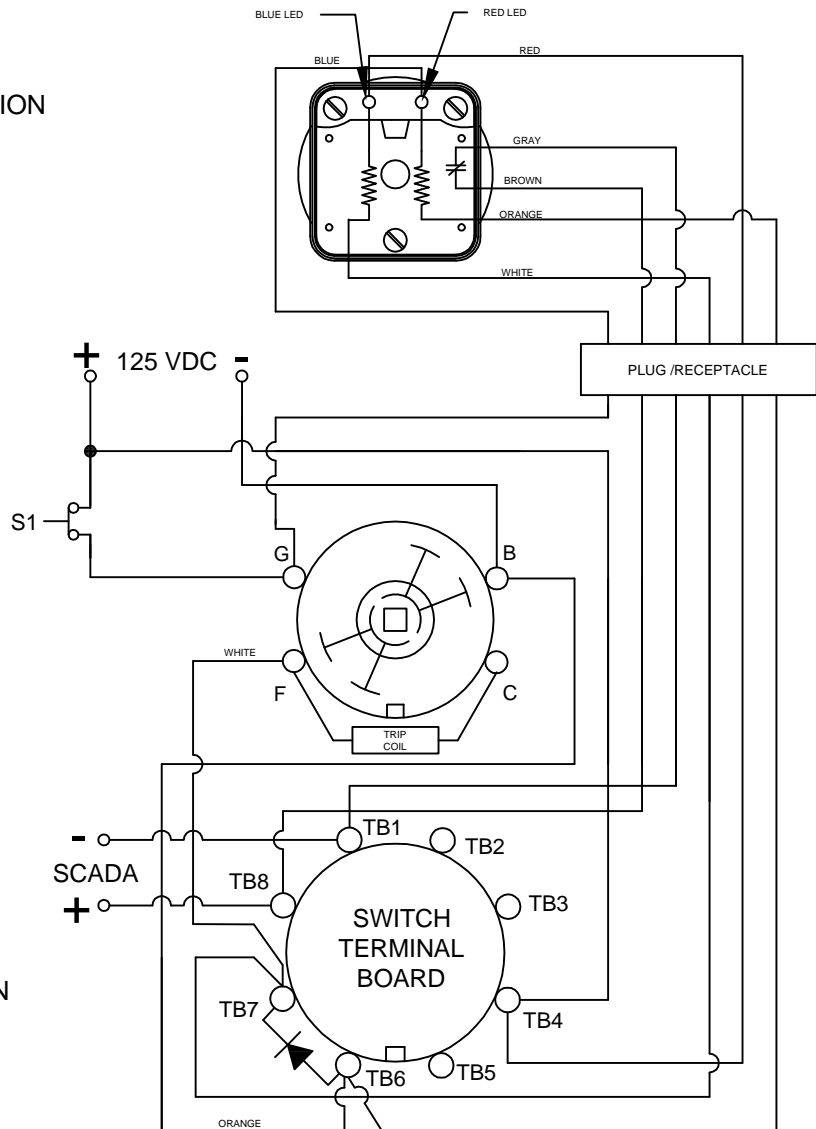
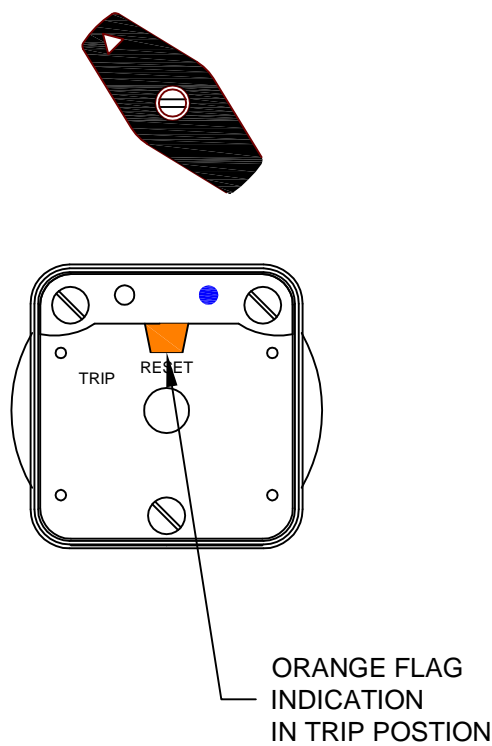
7605D125VDCEXAWP

WHEN S1 CLOSSES, THE COIL CAUSES A MECHANICAL ROTATION OF THE RELAY RESULTING IN THE SWITCH ROTOR ADVANCE TO THE "TRIP" POSITION SHOWN

CONDITION #2	
ROTOR	TRIPPED (AS SHOWN)
SWITCH 1 (S1)	CLOSED

RESULT	
LEFT LED	OFF
RIGHT LED	ON
SCADA SWITCH	CLOSED

FIGURE B - TRIP POSITION



PART NUMBER

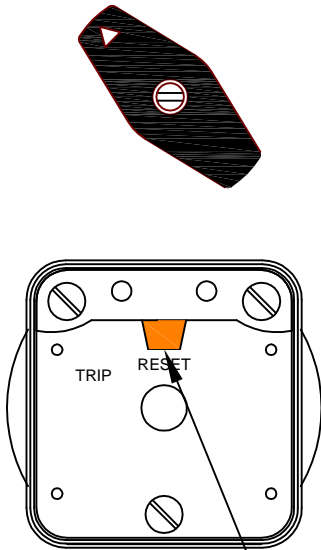
7605D125VDC EXAWP

WHEN S1 OPENS BACK, THE SCADA CIRCUIT WILL REMAIN CLOSED UNTIL THE LOR IS ROTATED BACK INTO THE RESET POSITION.

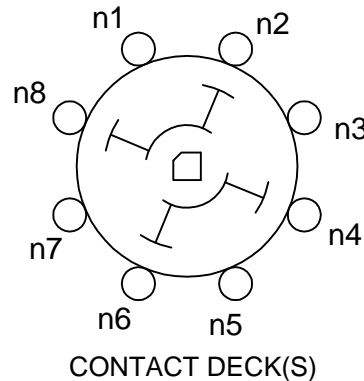
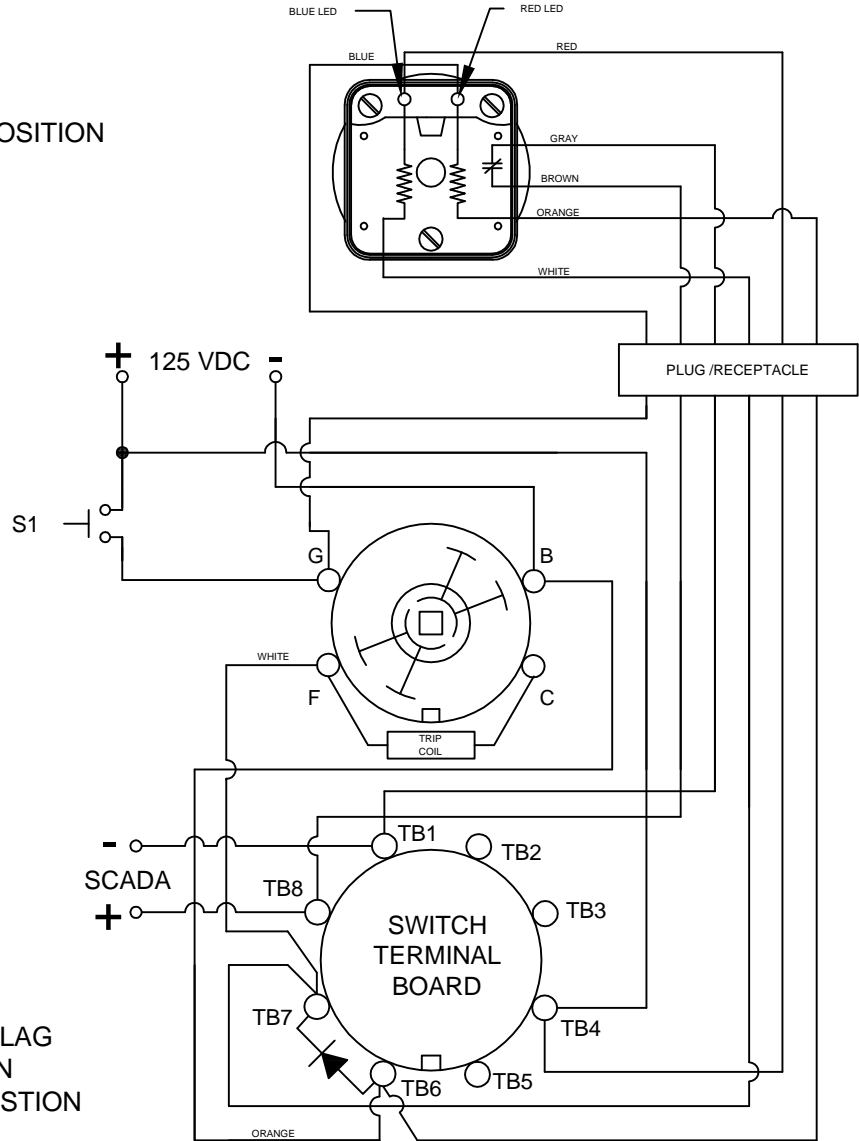
CONDITION #2	
ROTOR	RESET (AS SHOWN)
SWITCH 1 (S1)	OPEN

RESULT	
LEFT LED	OFF
RIGHT LED	OFF
SCADA SWITCH	CLOSED

FIGURE B - TRIP POSITION



ORANGE FLAG INDICATION IN TRIP POSITION



PART NUMBER

7605D125VDCEXAWP