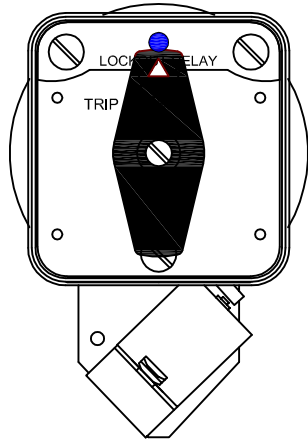
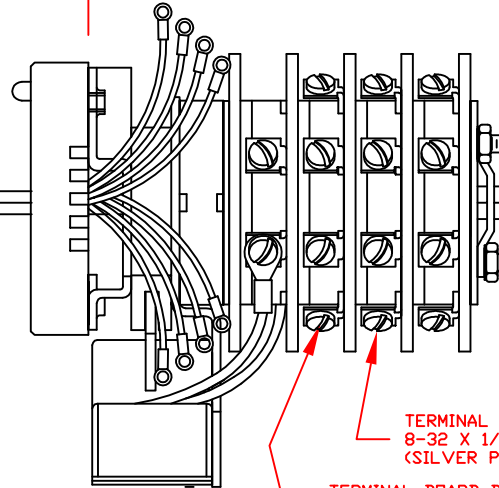
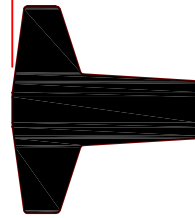


7602D125VDCXEXTCM



3.46



TERMINAL SCREWS
8-32 X 1/4 BINDING HEAD
(SILVER PLATED)
TERMINAL BOARD DECK

SPECIFICATIONS:

NO. OF POSITIONS: 2, TRIP AND RESET

NO. OF SECTIONS: 2

CONTACTS: 2 NORMALLY OPEN
2 NORMALLY CLOSED
PER DECK

ACTION: 45° POSITIVE TRIP DETENT

STATIONARY CONTACTS : SILVER OVER COPPER

NAMEPLATE: AS SHOWN

COIL SPECIFICATIONS:

OPERATING VOLTAGE: 125 VDC / 120 VAC

THRESHOLD VOLTAGE: 16 VDC / 20 VAC

OPERATING RANGE: 30 - 140 VDC / 30 - 140 VAC

CURRENT AT RATED VOLTAGE: 4.6 / 4.4 AMPS

ELECTRICAL RATINGS:

25 A/120 VAC 3 A/ 125 VDC

15 A/240 VAC 1 A/ 250 VDC

6 A/600 VAC

OVERLOAD CURRENT

(50 OPERATIONS):

95 A/120 VAC

65 A/240 VAC

35 A/600 VAC

DIELECTRIC STRENGTH:

2200 VRMS

INSULATION RESISTANCE:

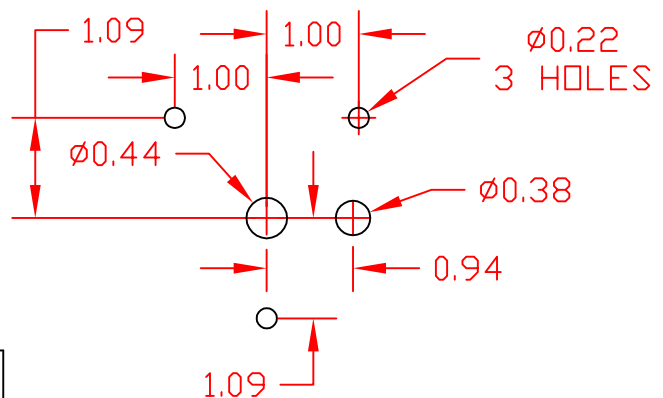
100 MEGOHMS INITIAL

CONTACT RESISTANCE:

10 MILLIOHMS MAX. INITIAL

DECK	CONTACTS	POSITION	
		TRIP	RESET
1	11 — — — 13		X
	12 — — — 18	X	
	15 — — — 17		X
	16 — — — 14	X	
2	21 — — — 23		X
	22 — — — 28	X	
	25 — — — 27		X
	26 — — — 24	X	

MOUNTING HOLE DETAIL



DESCRIPTION

7602D125VDCXEXTCM



308 COMPONENTS DRIVE
SMITHFIELD, NC 27577 USA

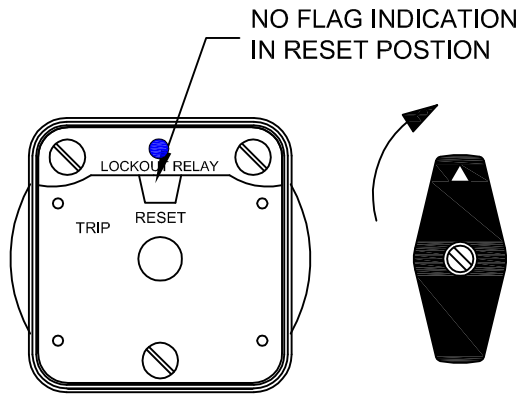
7602D125VDCXEXTCM

LOCK-OUT RELAYS (LOR)

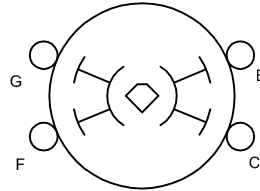
GENERAL OPERATION:

THE HANDLE OF THE LOR MUST BE MANUALLY ROTATED CLOCKWISE TO PLACE THE UNIT IN THE "RESET" POSITION (SEE FIGURE A)

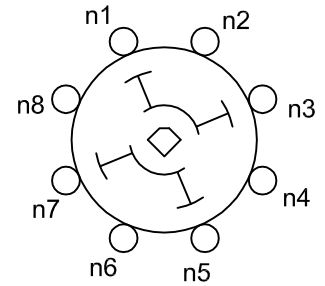
FIGURE A - RESET POSITION



SEE PAGE 3 FOR
LIGHTED PANEL
WIRING
INSTRUCTIONS



CONTROL DECK

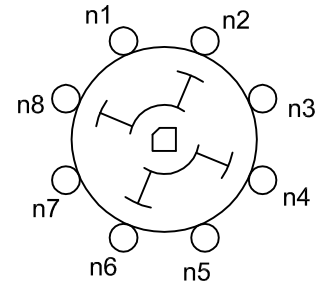
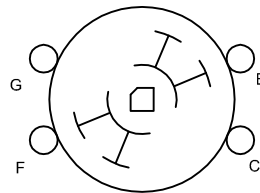
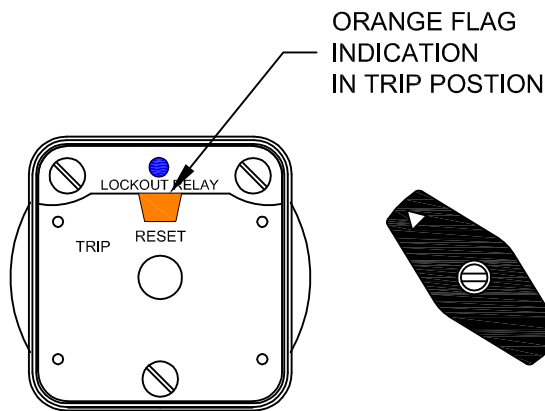


CONTACT DECK(S)

WHEN A PREDETERMINED CONDITION EXISTS, A SIGNAL WILL BE SENT TO S1 WHICH WILL ACTIVATE THE COIL AND CAUSE THE LOR TO "TRIP". THE "B" AND "G" CONTACTS ON THE CONTROL DECK PROVIDE THE CONNECTION TO THE CONTROL CIRCUIT THROUGH S1 WHICH CAN BE A CONTACT OF ANY TYPE I.E. SWITCH, RELAY.... THE LOR CONTACTS IN FIGURE "B" ARE IN THE "TRIPPED" POSITION.

THE LOR WILL REMAIN IN THE "TRIPPED" POSITION UNTIL MANUALLY RESET.

FIGURE B - TRIP POSITION



CONTACT DECK(S)

DESCRIPTION

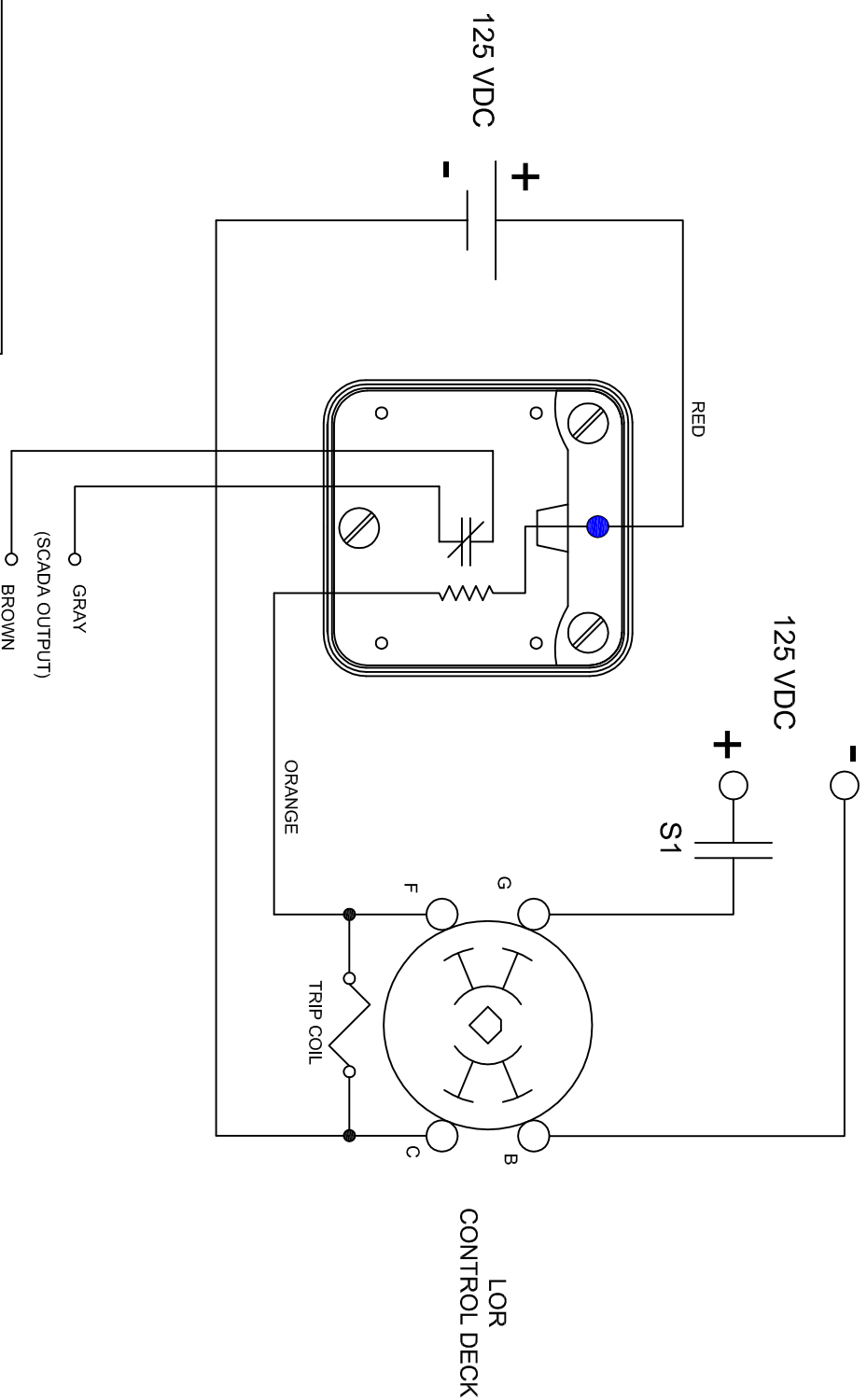
7602D125VDCXEXTCM



308 COMPONENTS DRIVE
SMITHFIELD, NC 27577 USA

7602D125VDCXEXTCM

WITH THE LIGHTED PANEL WIRED AS SHOWN, THE BLUE LIGHT WILL REMAIN "ON" AND THE SCADA SWITCH WILL REMAIN OPEN UNLESS THE TRIP COIL BECOMES DAMAGED OR DISCONNECTED OR IF THE 125 VDC SUPPLY VOLTAGE IS LOST.



DESCRIPTION

7602D125VDCXEXTCM



308 COMPONENTS DRIVE
SMITHFIELD, NC 27577 USA