

SHALLCO SERIES 26
Part Number: 26503D



General:

Meets requirements for 1 - 25 ampere switching of resistive loads to .75 power factor at voltages to 600 V AC and 250 VDC resistive loads

Electrical:

- * Ratings: 25A/120 VAC
- 15A/600 VAC
- 20A/600 VAC (RESISTIVE)
- 3A/125 VDC
- 1A/250 VDC



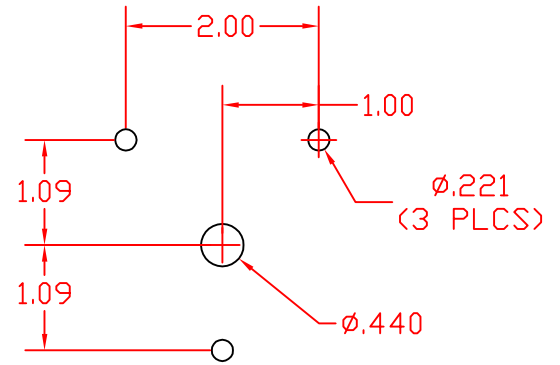
- * Current carrying capacity: 25 amperes
- * Dielectric Withstanding Voltage: 2200 Vrms
- * Contact Resistance: Initial, 10 milliohms max.
- * Insulation Resistance: 100 Megohms min., initial

Mechanical:

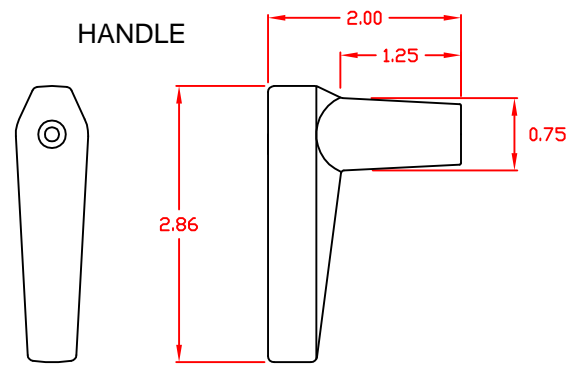
- * Sections: 3
- * Positions: 4 (ON-ON-ON-ON) See Table
- * Indexing: 45°
- * Rotational Life: 65,000 operations

Materials and Finishes:

- * Rotors and Stators: Thermoset Plastic, UL 94VO
- * Rotor contacts: Phosphor bronze
- * Stator contacts: Silver plated copper, screw type
- * Terminal hardware: silver plated brass
- * Exterior Metal: Steel with zinc chromate finish
- * Knob: thermoset phenolic

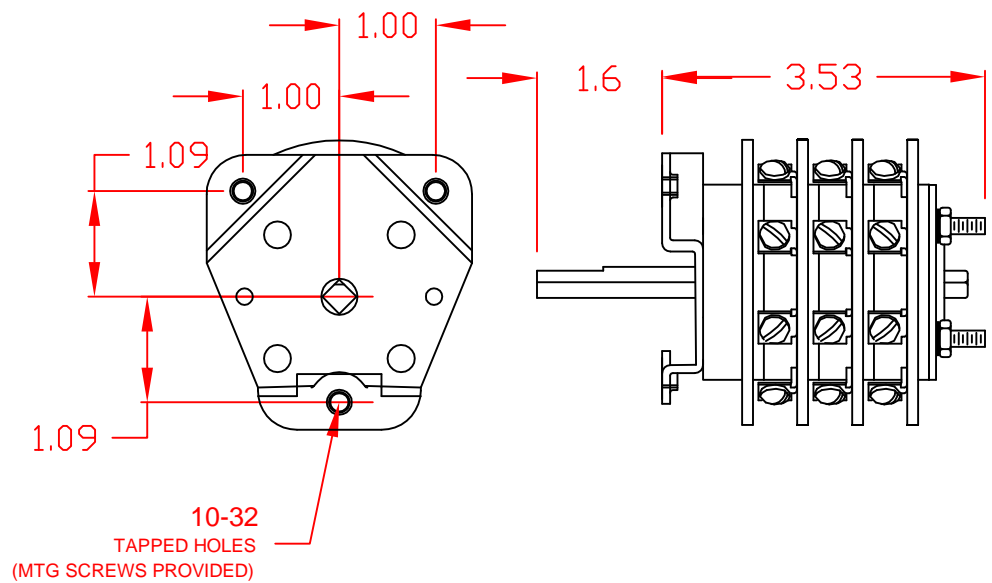


MOUNTING HOLE DETAIL



TRUTH TABLE

DECK	CONTACTS	POS.			
		1	2	3	4
1	11O-I-I-O13	X			
	12O-I-I-O14		X		
	13O-I-I-O15			X	
	14O-I-I-O16				X
	15O-I-I-O17	X			
	16O-I-I-O18		X		
	17O-I-I-O11			X	
	18O-I-I-O12				X
	21O-I-I-O23	X			
2	22O-I-I-O24		X		
	23O-I-I-O25			X	
	24O-I-I-O26				X
	25O-I-I-O27	X			
	26O-I-I-O28		X		
	27O-I-I-O21			X	
	28O-I-I-O22				X
	31O-I-I-O33	X			
3	32O-I-I-O34		X		
	33O-I-I-O35			X	
	34O-I-I-O36				X
	35O-I-I-O37	X			
	36O-I-I-O38		X		
	37O-I-I-O31			X	
	38O-I-I-O32				X



26503D

REV. A



308 COMPONENTS DRIVE
 SMITHFIELD, NC 27577 USA