

**SHALLCO SERIES 26**



**Part Number: 26202BS**

**General:**

Meets requirements for 1 - 25 ampere switching of resistive loads to .75 power factor at voltages to 600 V AC and 250 V DC resistive loads

**Electrical:**

**\* Ratings**



- 25A/125 VAC
- 15A/600 VAC
- 20A/600 VAC (RES)
- 15A/600VAC
- 3A/125 VDC
- 1A/250 VDC

- \* Current carrying capacity: 30 amperes
- \* Dielectric Withstanding Voltage: 2200 Vrms
- \* Contact Resistance: Initial, 10 milliohms max.
- \* Insulation Resistance: 100 Megohms min., initial

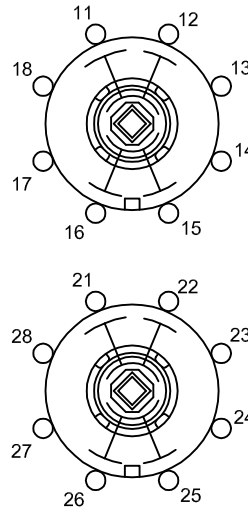
**Mechanical:**

- \* Sections: 2
- \* Positions: Adjustable (See Contact Table and Operation)
- \* Operation: Shorting (make before break)
- \* Indexing: 45°
- \* Rotational Life: 65,000 operations
- \* Handle: Oval

**Materials and Finishes:**

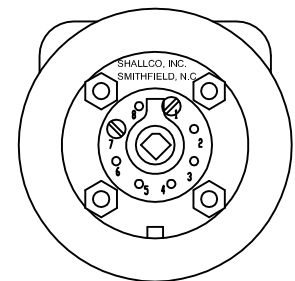
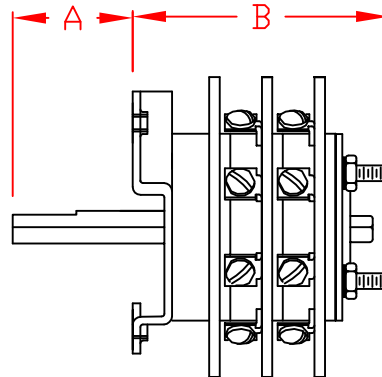
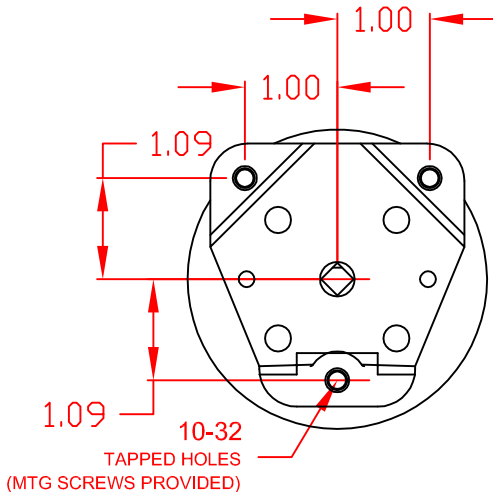
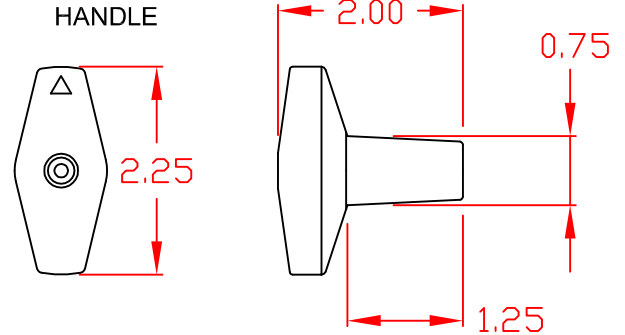
- \* Rotors and Stators: Thermoset Plastic, UL 94V0
- \* Rotor contacts: Phosphor bronze
- \* Stator contacts: Silver plated copper, screw type
- \* Terminal hardware: silver plated brass
- \* Exterior Metal: Steel with zinc chromate finish

**CONTACT TABLE**



DECK	CONTACTS	POSITION																		
		1	2	3	4	5	6	7	8											
1	11																			
	12																			
	13																			
	14																			
	15																			
	16																			
	17																			
	18																			
2	21																			
	22																			
	23																			
	24																			
	25																			
	26																			
	27																			
	28																			

ALL CONTACT ARE MAKE BEFORE BREAK



HANDLE TYPE: B (OVAL)  
 "A" DIM: 1.61  
 "B" DIM: 2.41