

SHALLCO SERIES 16 SWITCH



PART NO: 16A4-B-1-A

NO. OF SECTIONS: 4  
 INDEXING: 45°  
 CIRCUIT: A (SEE CONTACT TABLE)

ELECTRICAL RATINGS:

- 15 A @ 125 VAC
- 5 A @ 250 VAC
- 3 A @ 600 VAC
- 5 A @ 30 VDC
- 1 A @ 125 VDC

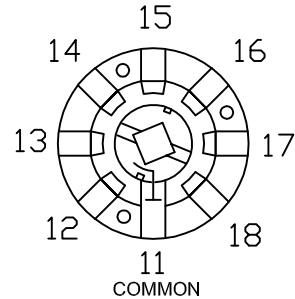


DIELECTRIC WITHSTANDING VOLTAGE: 1500 VRMS  
 CONTACT RESISTANCE: 10 MILLIOHMS MAX. INITIAL  
 INSULATION RESISTANCE: 1000 MEGHOHMS, INITIAL  
 TYPE ACTION: NONSHORTING  
 DETENT: STANDARD  
 STOPS INSTALLED: NO  
 TERMINALS: SCREW TYPE, HARDWARE SUPPLIED  
 PHENOLIC POINTER KNOB: SUPPLIED  
 MOUNTING HARDWARE: SUPPLIED

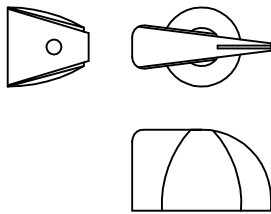
SCHEMATIC DIAGRAM

CIRCUIT "A"

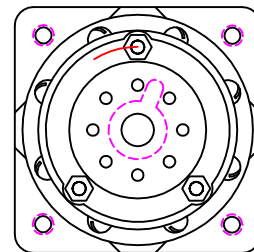
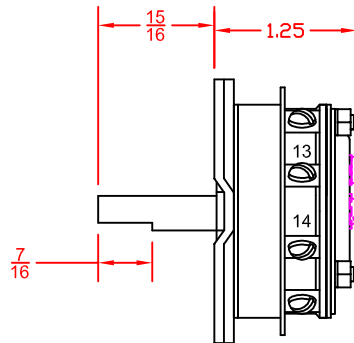
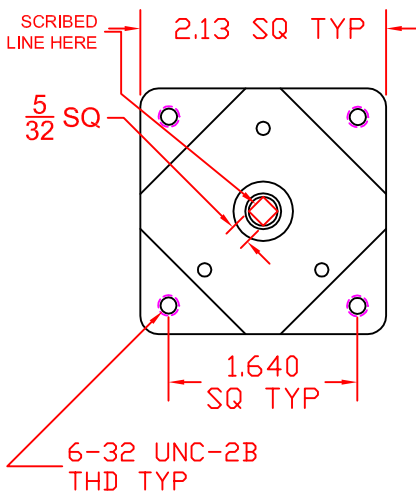
COMMON LOCATED AT TERMINAL 11



| DECK | CONTACTS | POSITION |   |   |   |   |   |   |   |  |  |  |  |  |  |  |  |  |
|------|----------|----------|---|---|---|---|---|---|---|--|--|--|--|--|--|--|--|--|
|      |          | 1        | 2 | 3 | 4 | 5 | 6 | 7 | 8 |  |  |  |  |  |  |  |  |  |
| 1    | 11       |          |   |   |   |   |   |   |   |  |  |  |  |  |  |  |  |  |
|      | 12       |          | X |   |   |   |   |   |   |  |  |  |  |  |  |  |  |  |
|      | 13       |          |   | X |   |   |   |   |   |  |  |  |  |  |  |  |  |  |
|      | 14       |          |   |   | X |   |   |   |   |  |  |  |  |  |  |  |  |  |
|      | 15       |          |   |   |   | X |   |   |   |  |  |  |  |  |  |  |  |  |
|      | 16       |          |   |   |   |   | X |   |   |  |  |  |  |  |  |  |  |  |
|      | 17       |          |   |   |   |   |   | X |   |  |  |  |  |  |  |  |  |  |
|      | 18       |          |   |   |   |   |   |   | X |  |  |  |  |  |  |  |  |  |



SUPPLIED WITH  
 POINTER KNOB



DESCRIPTION

16A4-B-4-A



308 COMPONENTS DRIVE  
 SMITHFIELD, NC 27577 USA