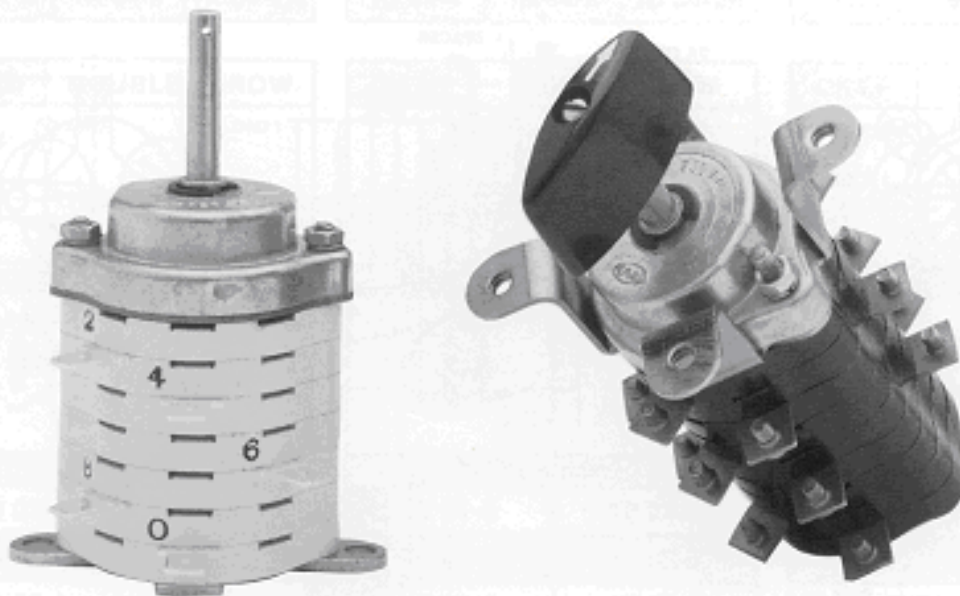


SNAP-ACTION POWER SWITCHES

SERIES 1

- 16 AMPERES MAX., 250VDC/250VAC
- CLOSED CONSTRUCTION
- SNAP ACTION
- MULTIPLE POLES
- 1, 2, 3 AND 4-WAY CIRCUITS
- SCREW AND QUICK CONNECT TERMINATIONS
- MIL-S-15291/2 OR MIL-S-15291/3 OPTION AVAILABLE

STANDARD AND CUSTOM ASSEMBLIES FOR
INDUSTRIAL CONTROL APPLICATIONS



Shalco
SINCE 1967

SHALCO, INC.
PRECISION ELECTRICAL COMPONENTS
P.O. BOX 1089 • SMITHFIELD, N.C. 27577 • 919/934 3135

SERIES 1 SNAP-ACTION ROTARY SWITCH, 16 AMPERE

General:

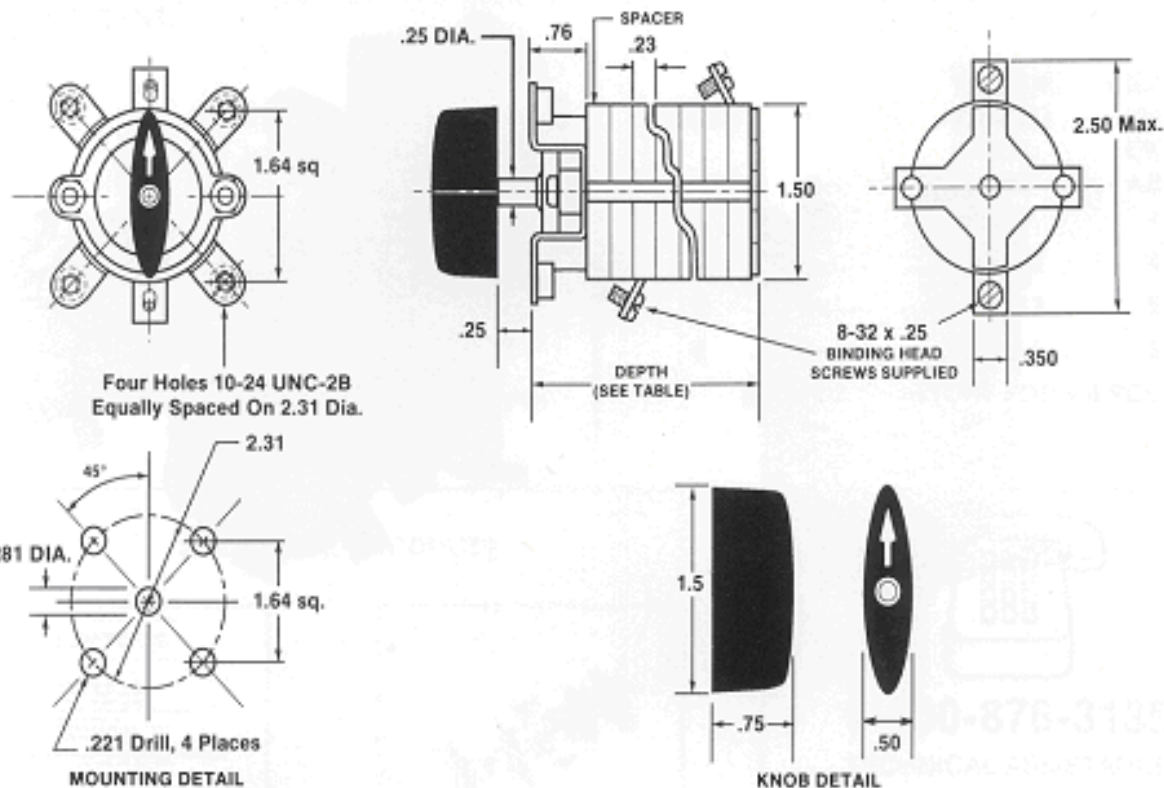
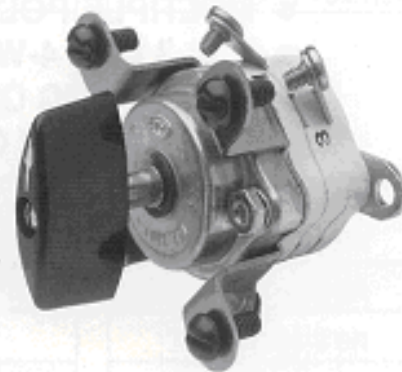
Meets requirements for up to 16 ampere switching of resistive loads to .75 power factor at voltages to 250VAC and 250 VDC resistive loads.

Electrical:

- Voltages: 250V AC, 250V DC
- Current carrying capacity: 20 amperes
- Current switching capacity: Up to 16 amperes
- Dielectric withstanding voltage: 2200V rms, initial
- Contact resistance: 20 milliohms maximum, (4 milliohms average initially)
- Insulation resistance: 200 megohms minimum

Mechanical:

- Poles: 1 to 12, depending on circuit
- Positions: 2, 3, or 4
- Contacts: BBM (break-before-make, non-shorting) or MBB (make-before-break, shorting)
- Indexing: 90° snap-action, less than 5 millisecond transit time
- Rotational life, mechanical: 30,000 operations
- Rotational torque: 4-8 pound inches depending on poles and circuit
- Terminals: screw and quick connect terminations
- Construction: closed



Materials and Finishes:

- Stators: thermoset plastic, UL 94V0
- Rotor contacts: phosphor bronze, dual wiping
- Stationary contacts: copper with integral screw terminal
- Exterior metal: steel, zinc plated with chromate
- Terminal hardware: unplated brass binding head screws
- Knob: black thermoset plastic bar type with pointer

- Approximate Weights
Single pole and section: 3.6 oz.
Additional section: .4 oz.

- Mounting hardware: supplied, 4 each .50 long truss head screws
- Knob: supplied with hardware

SERIES 1 SNAP-ACTION ROTARY SWITCH, 16 AMPERE

CIRCUIT DIAGRAMS (SINGLE POLE SWITCHES SHOWN, SHAFT END)

DESCRIPTION	CKT.A	SINGLE THROW		CKT.B	DOUBLE THROW		CKT.C	DOUBLE THROW	
	NUMBER OF POSITIONS		NUMBER OF POSITIONS		NUMBER OF POSITIONS		NUMBER OF POSITIONS		
POLES	PART NUMBER		PART NUMBER		PART NUMBER		PART NUMBER		
1	1A 01-4	1A 01-2	1A 01-2A	1B 01-4	1B 01-2	1B 01-2A	1C 01-3		
2	1A 02-4	1A 02-2	1A 02-2A	1B 02-4	1B 02-2	1B 02-2A	1C 02-3		
3	1A 03-4	1A 03-2	1A 03-2A	1B 03-4	1B 03-2	1B 03-2A	1C 03-3		
4	1A 04-4	1A 04-2	1A 04-2A	1B 04-4	1B 04-2	1B 04-2A	1C 04-3		

DESCRIPTION	CKT.D	DOUBLE THROW		CKT.E	TRIPLE THROW		CKT.F	FOUR THROW	
	NUMBER OF POSITIONS		NUMBER OF POSITIONS		NUMBER OF POSITIONS		NUMBER OF POSITIONS		
POLES	PART NUMBER		PART NUMBER		PART NUMBER		PART NUMBER		
1	1D 01-4	1D 01-3	1E 01-4	1E 01-3	1F 01-4				
2	1D 02-4	1D 02-3	1E 02-4	1E 02-3	1F 02-4				
3	1D 03-4	1D 03-3	1E 03-4	1E 03-3	1F 03-4				
4	1D 04-4	1D 04-3	1E 04-4	1E 04-3	1F 04-4				

PART NUMBER CODE

SERIES	POLES	POSITIONS
1	D 03	— 4

CIRCUIT

EXAMPLE: SERIES 1, CIRCUIT D, 3 POLES,
4 POSITIONS
(MAXIMUM POLES: 8)

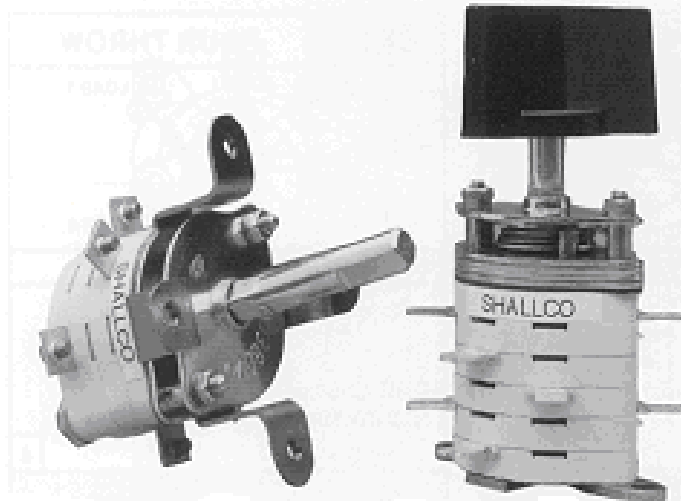
POLES	DEPTH (INCHES)	TORQUE (LB.-IN.)	WEIGHT (OZ.)
	CKT. ABC/DEF	CKT. ABC/DEF	CKT. ABC/DEF
1	1.30/1.53	7	3.6/4.0
2	1.53/2.00	7	4.0/4.8
3	1.77/2.46	7	4.4/5.5
4	2.00/2.92	7	4.8/6.3

(CONSULT FACTORY FOR > 4 POLES)

SERIES 1 SPRING—RETURN ROTARY SWITCH, 16 AMPERE

DESCRIPTION	CKT.A	SINGLE THROW	CKT.B	DOUBLE THROW	CKT.F	DOUBLE THROW
		NUMBER OF POSITIONS	NUMBER OF POSITIONS	NUMBER OF POSITIONS		
POLES	PART NUMBER		PART NUMBER		PART NUMBER	
1	1A 01-2 SR		1B 01-2 SR		1C 01-3 SR	
2	1A 02-2 SR		1B 02-2 SR		1C 02-3 SR	
3	1A 03-2 SR		1B 03-2 SR		1C 03-3 SR	
4	1A 04-2 SR		1B 04-2 SR		1C 04-3 SR	

NOTE: SPRING-RETURN SWITCHES ARE DIRECT DRIVE, SPEED OF BLADE ROTATION IS OPERATOR DEPENDENT.



POLES	DEPTH	TORQUE	WEIGHT
	(INCHES)	(LB.-IN.)	(OZ.)
	CKT. ABC	CKT. A/BC	CKT. ABC
1	1.31	8.5/9	4
2	1.55	10/11.5	4.5
3	1.79	11.5/13	5
4	2.02	13/14.5	5.5

(CONSULT FACTORY FOR > 4 POLES)