

SHALLCO SERIES 1

Auxiliary Switches (MOC and TOC)



308 COMPONENTS DRIVE
SMITHFIELD, NC 27577 USA

ELECTRICAL:

Ratings (UL):

- 16A @ 250 VAC
- 16A @ 250 VDC
- 7.5A @ 600 VAC
- 3/4 HP @ 240 VAC



Voltage: 600 VAC, 250 VDC

Switching Capacity: Up To 16 Amperes

Dielectric Withstanding Voltage: 2500 VRMS Initial

Contact Resistance: 10 milliohms max. (4 milliohms average)

Insulation Resistance: 1000 Megohms min. initial

MECHANICAL:

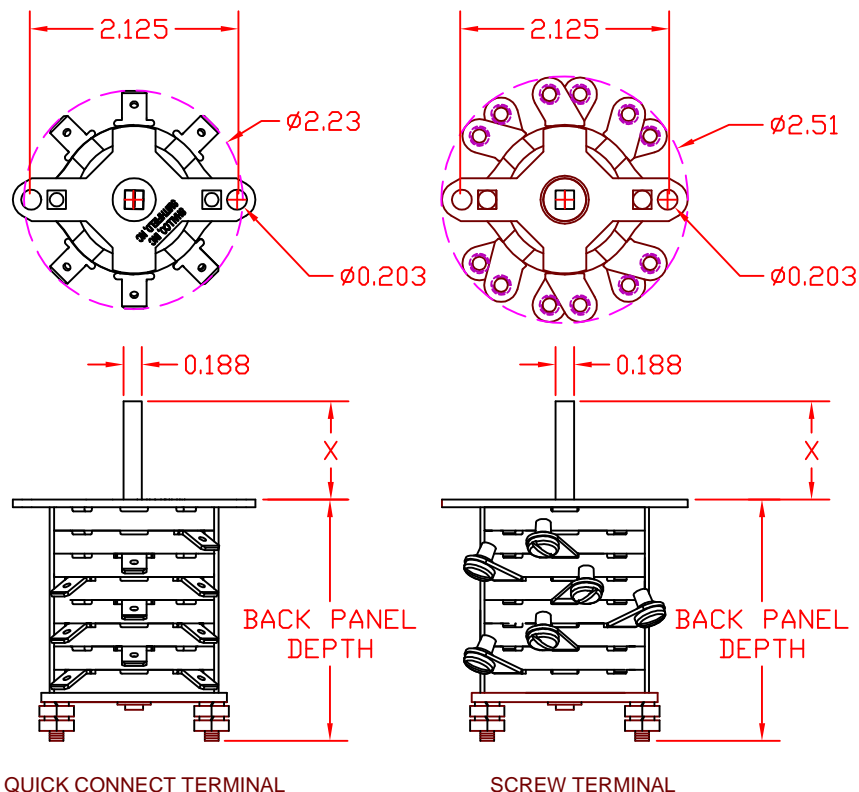
Poles: Up to 20

Indexing: 90°

Ccontacts: Break Before Make

Terminal Type: Screw or Quick Connect

Construction: Closed



NUMBER OF DECKS	BACK PANEL DEPTH
1	1.04
2	1.28
3	1.51
4	1.75
5	1.98
6	2.22
7	2.46
8	2.69
9	2.93
10	3.16
11	3.40
12	3.64

Customer Ordering Information:

Specify:

- * No of "A" Contacts (Closed with shaft as shown)
- * No. of "B" Contacts (Open with shaft as shown)
- * Shaft Extension: Dimension "X" as shown
- * Contact Type: Available with Screw or "Quick Connect" type terminals

Also available with various lever couplings

Shallco Series 1 Auxiliary Switch



308 COMPONENTS DRIVE
SMITHFIELD, NC 27577 USA