

SHALLCO SERIES 26
Part Number: 76208D



308 COMPONENTS DRIVE
 SMITHFIELD, NC 27577 USA

General:

Meets requirements for 1 - 25 ampere switching of resistive loads to .75 power factor at voltages to 600 V AC and 250 V DC resistive loads

Electrical:



- * Ratings:
- 25A/120 VAC
- 15A/600 VAC
- 20A/600 VAC (RESISTIVE)
- 3A/125 VDC
- 1A/250 VDC

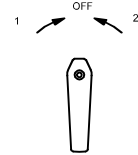
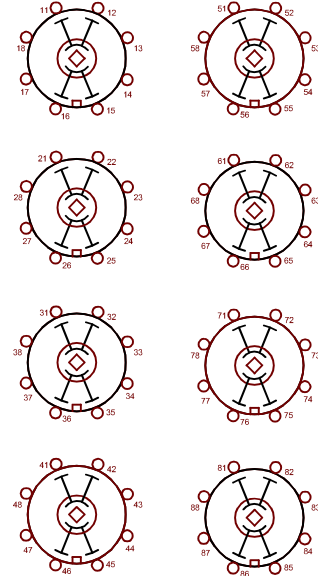
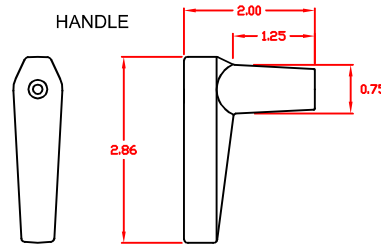
- * Current carrying capacity: 30 amperes
- * Dielectric Withstanding Voltage: 2200 Vrms
- * Contact Resistance: Initial, 10 milliohms max.
- * Insulation Resistance: 100 Megohms min., initial

Mechanical:

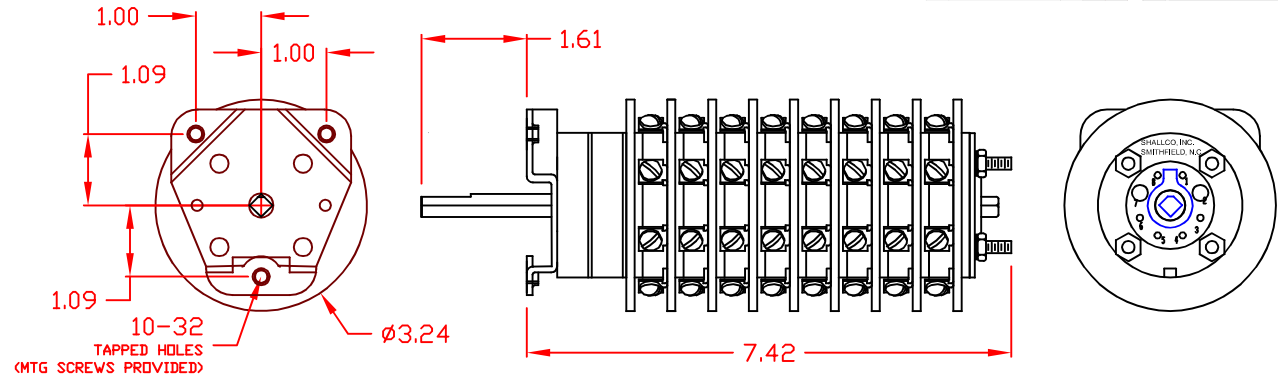
- * Sections: 8
- * Positions: 3
- * Circuit: See Contact Table and Stator Diagram
- * Nonshorting Operation
- * Indexing: 45° positive detent
- * Rotational Life: 65,000 operations

Materials and Finishes:

- * Rotors and Stators: Thermoset Plastic, UL 94VO
- * Rotor contacts: Phosphor bronze
- * Stator contacts: Silver plated copper, screw type
- * Terminal hardware: silver plated brass
- * Exterior Metal: Steel with zinc chromate finish
- * Knob: thermoset phenolic



DECK	CONTACTS	POSITION		DECK	CONTACTS	POSITION	
		1	OFF 2			1	OFF 2
1	18	11	X	5	58	51	X
	11	12	X		51	52	X
	12	13	X		52	53	X
	14	15	X		54	55	X
	15	16	X		55	56	X
	16	17	X		56	57	X
2	28	21	X	6	68	61	X
	21	22	X		61	62	X
	22	23	X		62	63	X
	24	25	X		64	65	X
	25	26	X		65	66	X
	26	27	X		66	67	X
3	38	31	X	7	78	71	X
	31	32	X		71	72	X
	32	33	X		72	73	X
	34	35	X		74	75	X
	35	36	X		75	76	X
	36	37	X		76	77	X
4	48	41	X	8	88	81	X
	41	42	X		81	82	X
	42	43	X		82	83	X
	44	45	X		84	85	X
	45	46	X		85	86	X
	46	47	X		86	87	X



76208D

308 COMPONENTS DRIVE
 SMITHFIELD, NC 27577 USA